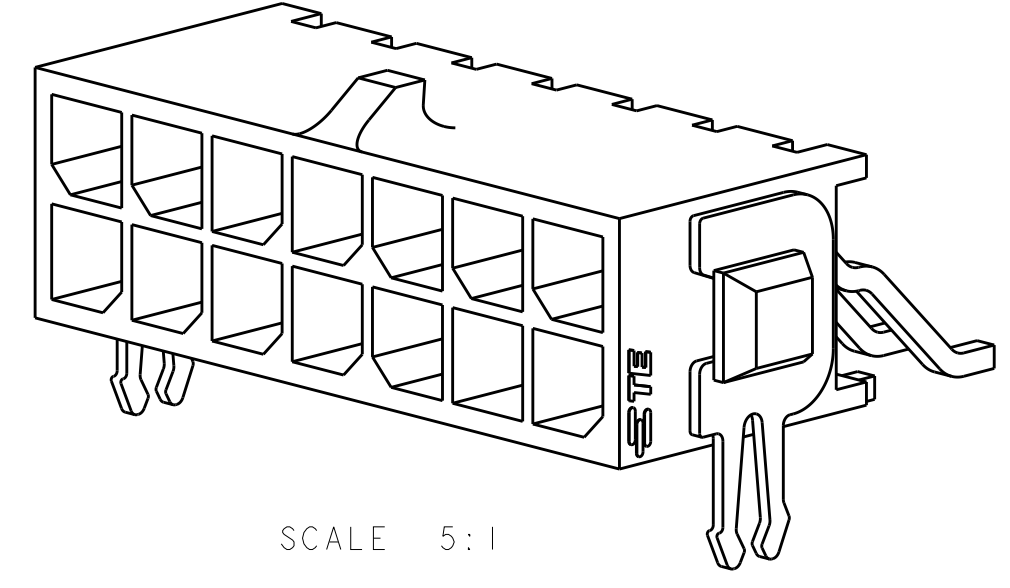
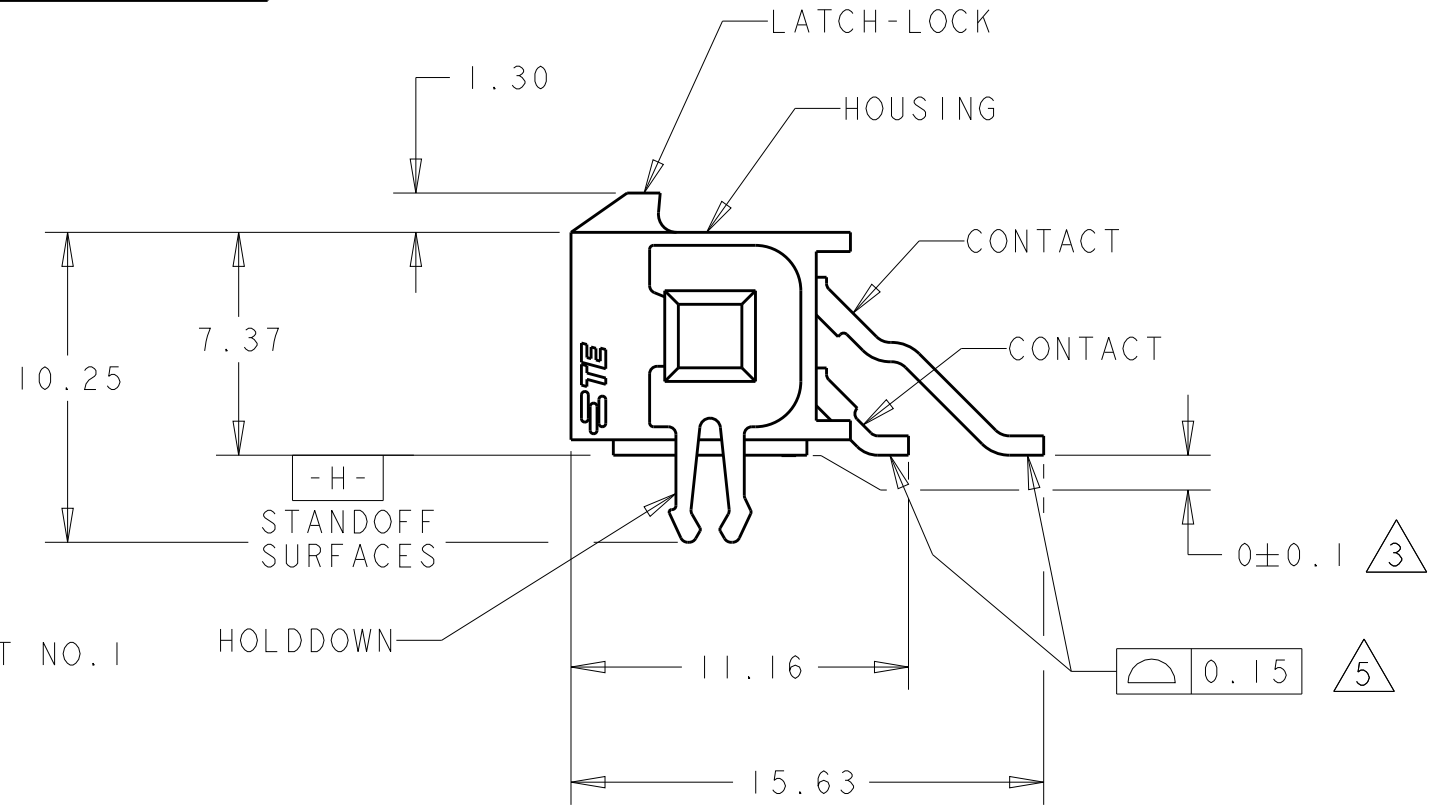
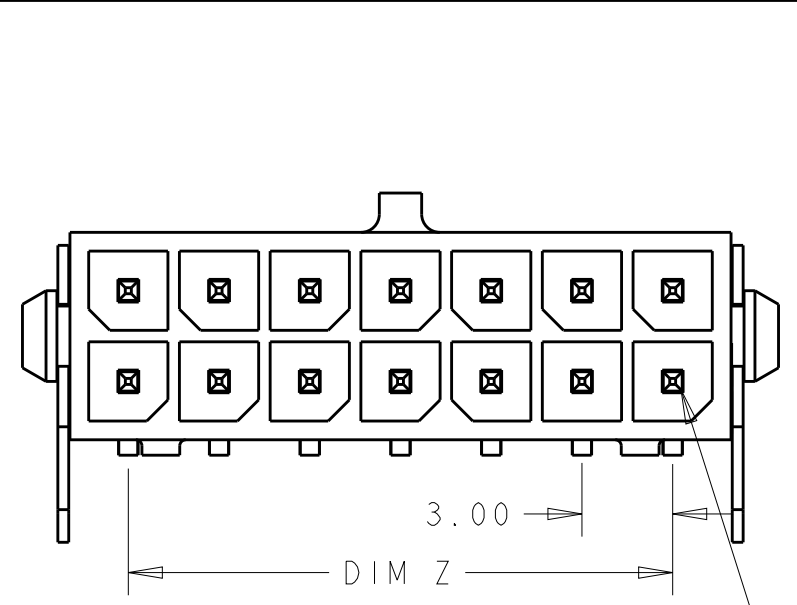
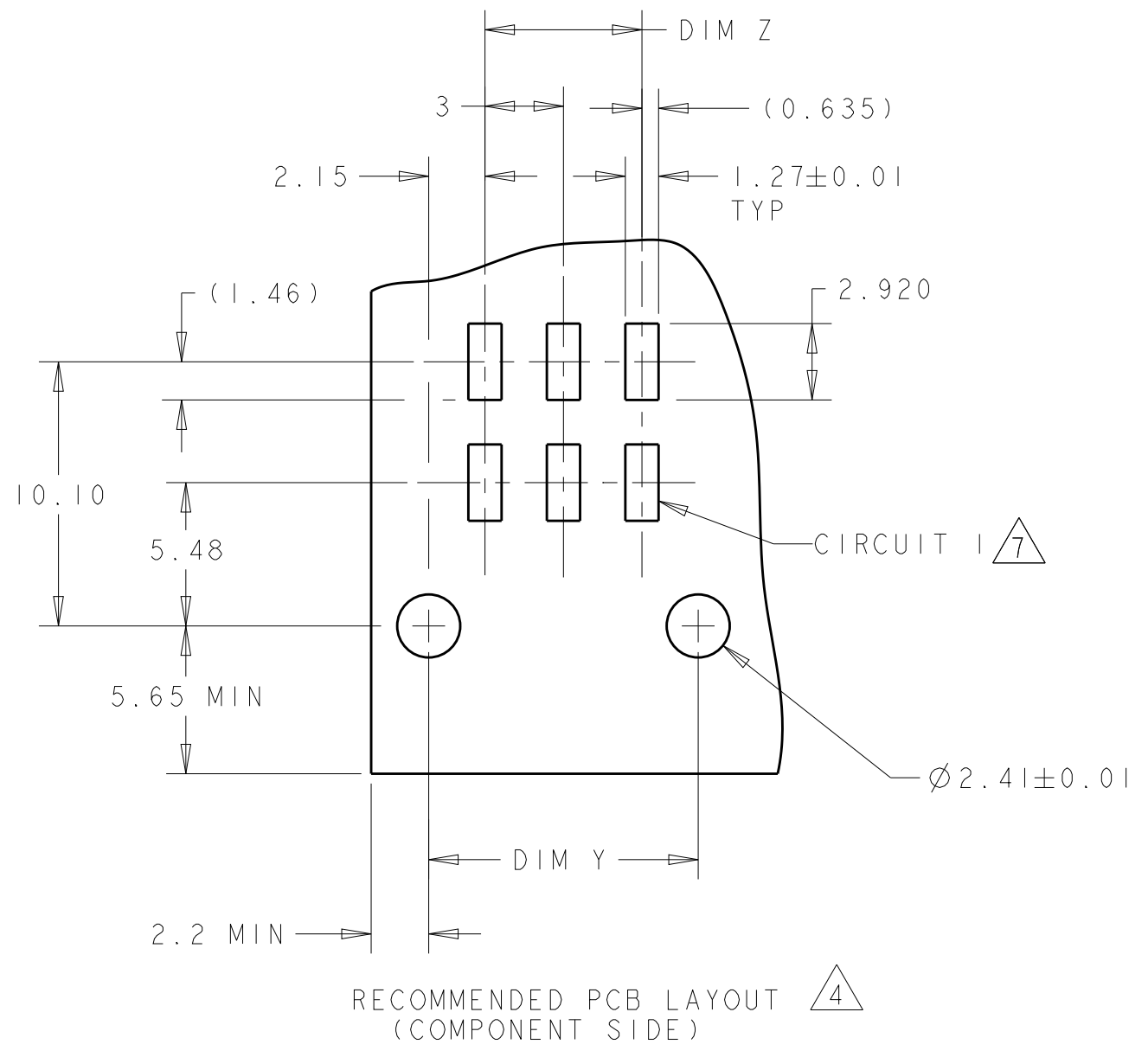
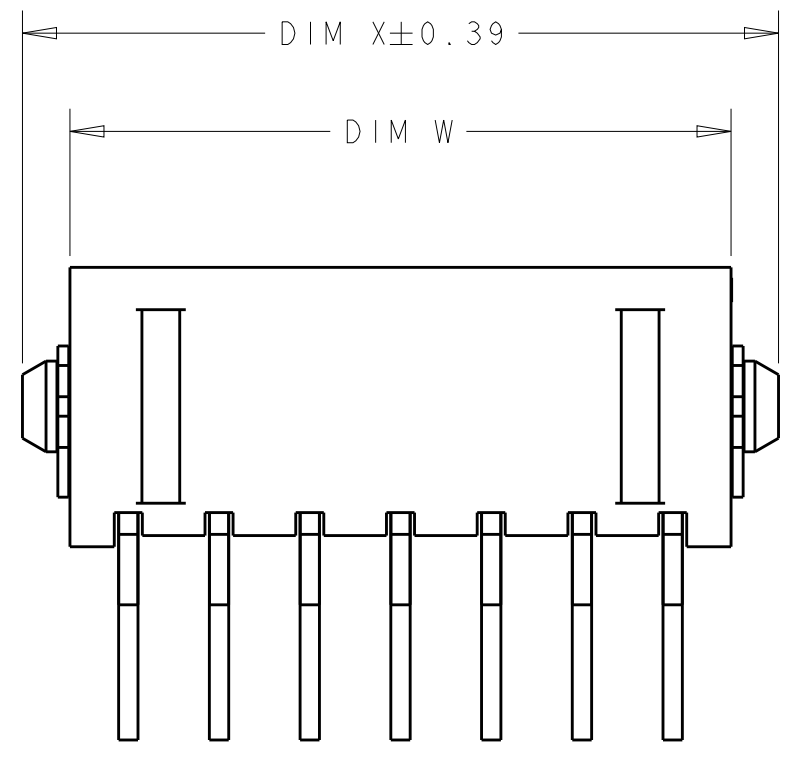


THIS DRAWING IS UNPUBLISHED. RELEASED FOR PUBLICATION 20
 © COPYRIGHT 20 BY - ALL RIGHTS RESERVED.

LOC	DIST	REVISIONS					
CM	00	P	LTR	DESCRIPTION	DATE	DWN	APVD
		G		REVISED PER ECO-15-003291	27JULY2015	SC	DZ



SCALE 5:1



6	36.86	37.30	33.00	40.00	24	5-794626-4
6	33.86	34.30	30.00	37.00	22	5-794626-2
6	30.86	31.30	27.00	34.00	20	5-794626-0
6	27.86	28.30	24.00	31.00	18	4-794626-8
6	24.86	25.30	21.00	28.00	16	4-794626-6
6	21.86	22.30	18.00	25.00	14	4-794626-4
6	18.86	19.30	15.00	22.00	12	4-794626-2
6	15.86	16.30	12.00	19.00	10	4-794626-0
6	12.86	13.30	9.00	16.00	8	3-794626-8
6	9.86	10.30	6.00	13.00	6	3-794626-6
6	6.86	7.30	3.00	10.00	4	3-794626-4
6	3.86	4.30	-	7.00	2	3-794626-2
2	36.86	37.30	33.00	40.00	24	2-794626-4
2	33.86	34.30	30.00	37.00	22	2-794626-2
2	30.86	31.30	27.00	34.00	20	2-794626-0
2	27.86	28.30	24.00	31.00	18	1-794626-8
2	24.86	25.30	21.00	28.00	16	1-794626-6
2	21.86	22.30	18.00	25.00	14	1-794626-4
2	18.86	19.30	15.00	22.00	12	1-794626-2
2	15.86	16.30	12.00	19.00	10	1-794626-0
2	12.86	13.30	9.00	16.00	8	794626-8
2	9.86	10.30	6.00	13.00	6	794626-6
2	6.86	7.30	3.00	10.00	4	794626-4
2	3.86	4.30	-	7.00	2	794626-2
FINISH	DIM W	DIM Y	DIM Z	DIM X	NO. OF POSN.	PART NUMBER

- 1 MATERIAL;
CONTACTS - BRASS.
HOUSING - UL 94V-0 RATED HIGH TEMP NYLON,
COLOR; BLACK.
HOLDDOWNS - PHOSPHOR BRONZE.
- 2 PLATING;
CONTACTS - 0.76µm MINIMUM GOLD OVER 2.54µm
MINIMUM NICKEL ON MATING AREA.
2.54µm TIN-LEAD MINIMUM OVER 2.54µm
NICKEL MINIMUM ON SOLDER TAILS.
HOLDDOWNS - 2.54µm TIN LEAD.
- 3 DIMENSION APPLIES TO SOLDER TAIL SURFACES
AND STANDOFF SURFACES.
- 4 RECOMMENDED PC BOARD THICKNESS OF 1.57.
- 5 ALL SOLDER TAILS.
- 6 PLATING;
CONTACTS - 0.76µm MINIMUM GOLD OVER 2.54µm
MINIMUM NICKEL ON MATING AREA.
2.54µm MATTE TIN MINIMUM OVER 2.54µm
NICKEL MINIMUM ON SOLDER TAILS.
HOLDDOWNS - 2.54µm MATTE TIN.
- 7 CIRCUIT NUMBER 1 IS LOCATED AT THE BOTTOM RIGHT
WITH THE LATCH-LOCK ON TOP LOOKING INTO THE CAVITIES

THIS DRAWING IS A CONTROLLED DOCUMENT.

DIMENSIONS: mm	TOLERANCES UNLESS OTHERWISE SPECIFIED: 0 PLC ± 1 PLC ± 2 PLC ±0.13 3 PLC ± 4 PLC ± ANGLES ± FINISH	DWN K. WHITAKER 19MAR2003 CHK C. JONES 19MAR2003 APVD C. JONES 19MAR2003	TE Connectivity	
MATERIAL	SEE TABLE	PRODUCT SPEC APPLICATION SPEC WEIGHT	NAME SURFACE MOUNT, RIGHT ANGLE, MECHANICAL HOLDDOWN, ASSEMBLY, 30 GOLD HEADER, DUAL ROW, MICRO MATE-N-LOK™ SIZE A2 CAGE CODE A20779 DRAWING NO. C-794626 RESTRICTED TO	
		CUSTOMER DRAWING	SCALE 4:1	SHEET 1 OF 1 REV G