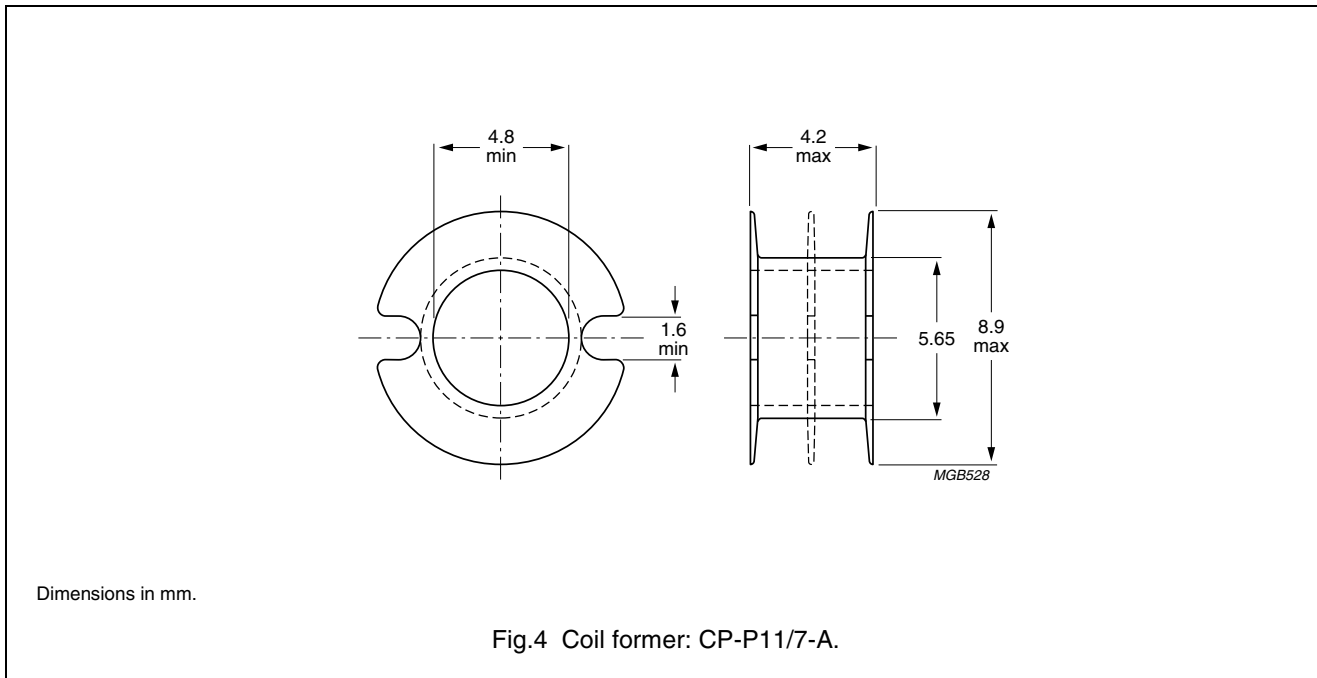


**General data for CP-P11/7-A coil former**

PARAMETER	SPECIFICATION
Coil former material	acetal (POM), glass reinforced, flame retardant in accordance with "UL 94-HB"; UL file number E66288(R)
Maximum operating temperature	105 C



**Winding data for CP-P11/7-A coil former**

NUMBER OF SECTIONS	MINIMUM WINDING AREA (mm <sup>2</sup> )	NOMINAL WINDING WIDTH (mm)	AVERAGE LENGTH OF TURN (mm)	TYPE NUMBER
1	4.6	3.1	22.6	CP-P11/7-1S-A
2	4.0	3.0	22.7	CP-P11/7-2S-A
3	3.52	2.7	22.7	CP-P11/7-3S-A