

**PLEASE CHECK WWW.MOLEX.COM FOR LATEST PART INFORMATION**

**Part Number:** **0751962501**  
**Status:** **Active**  
**Overview:** vhdm\_hsd  
**Description:** 2.00mm (.079") Pitch 6-Row VHDM® Lite Backplane Header, Right Shield End Version, 6 Row, 150 Circuits, Pin Length 4.75mm (.187")

**Documents:**

[Drawing \(PDF\)](#) [RoHS Certificate of Compliance \(PDF\)](#)  
[Product Specification PS-74031-999 \(PDF\)](#)

**General**

Product Family	Backplane Connectors
Series	75196
Application	Backplane
Application Tooling Documents	<a href="http://www.molex.com/pdm_docs/ats/TM-622010999.pdf">Tooling Manual</a>
Comments	No Keying Position
Component Type	PCB Header
Overview	vhdm_hsd
Product Name	VHDM Lite®
Style	N/A

**Physical**

Circuits (Loaded)	150
Circuits (maximum)	150
Color - Resin	Black
Durability (mating cycles max)	200
First Mate / Last Break	No
Guide to Mating Part	Yes
Keying to Mating Part	None
Material - Metal	High Performance Alloy (HPA), Stainless Steel
Material - Plating Mating	Gold
Material - Plating Termination	Tin-Lead
Material - Resin	High Temperature Thermoplastic
Number of Columns	25
Number of Pairs	Open Pin Field
Number of Rows	6
Orientation	Vertical
PC Tail Length (in)	0.098 In
PC Tail Length (mm)	2.50 mm
PCB Locator	No
PCB Retention	Yes
PCB Thickness Recommended (in)	0.071 In
PCB Thickness Recommended (mm)	1.80 mm
Packaging Type	Tube
Pitch - Mating Interface (in)	0.079 In
Pitch - Mating Interface (mm)	2.00 mm
Pitch - Term. Interface (in)	0.079 In
Pitch - Term. Interface (mm)	2.00 mm
Plating min: Mating (µin)	30
Plating min: Mating (µm)	0.75
Plating min: Termination (µin)	30
Plating min: Termination (µm)	0.75
Polarized to PCB	No
Stackable	No
Surface Mount Compatible (SMC)	Yes

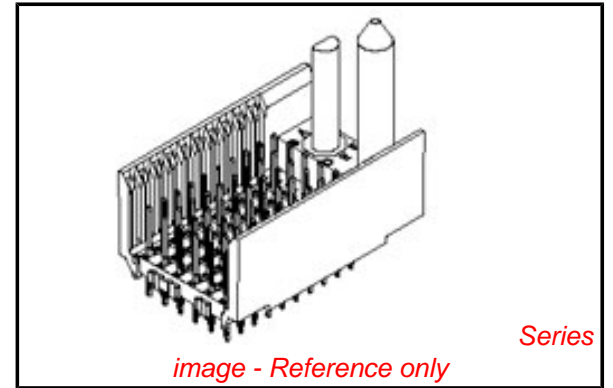


image - Reference only

**EU RoHS**

**RoHS Compliant by Exemption**  
**REACH SVHC**  
**Contains SVHC: No**  
**Halogen-Free**  
**Status**  
**Not Reviewed**

**China RoHS**



**Need more information on product environmental compliance?**

Email [productcompliance@molex.com](mailto:productcompliance@molex.com)  
 For a multiple part number RoHS Certificate of Compliance, [click here](#)

Please visit the [Contact Us](#) section for any non-product compliance questions.

**Search Parts in this Series**

75196Series

**Mates With**

75189 VHDM® Lite Board-to-Board Daughtercard

**Use With**

Backplane Modules

**Application Tooling | FAQ**

*Tooling specifications and manuals are found by selecting the products below. Crimp Height Specifications are then contained in the Application Tooling Specification document.*

**Global**

Description	Product #
VHDM® Signal Pin Inserter Repair Tool	0622015700
VHDM® Insertion Module for Standard Shield Signal Header, 6 Row by	0622020208

Temperature Range - Operating  
Termination Interface: Style

105°C  
Through Hole - Compliant Pin

25 Wide, 50.00mm  
(1.97")

### Electrical

Current - Maximum per Contact 1A  
Data Rate 622.0 Mbps  
Real Signals (per 25mm) 75  
Shielded No  
Voltage - Maximum 120V AC (RMS)/DC

### Material Info

### Reference - Drawing Numbers

Product Specification PS-74031-999  
Sales Drawing SD-75196-001

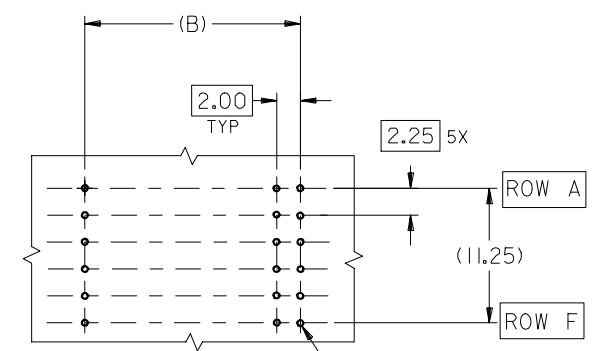
VHDM and Very High Density Metric are trademarks of Amphenol Corporation

This document was generated on 05/28/2010

**PLEASE CHECK [WWW.MOLEX.COM](http://WWW.MOLEX.COM) FOR LATEST PART INFORMATION**

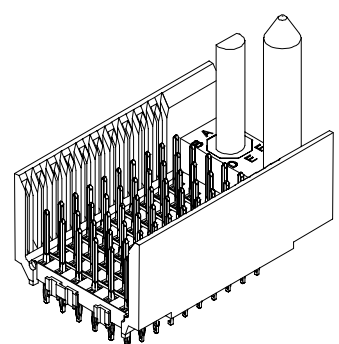
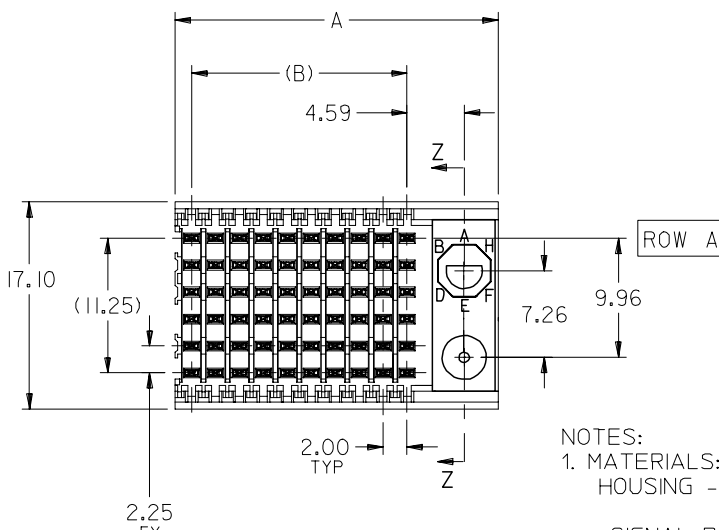
10 9 8 7 6 5 4 3 2 1

F  
E  
D  
C  
B  
A

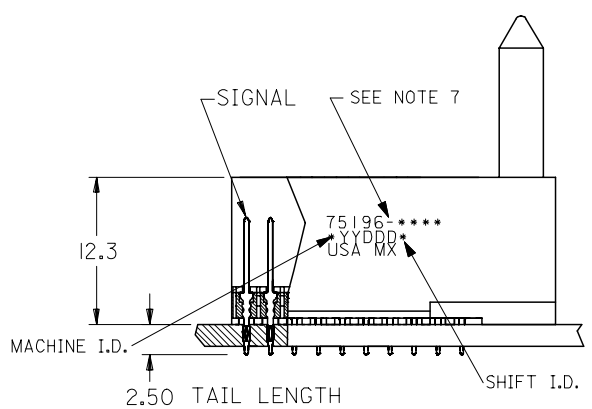
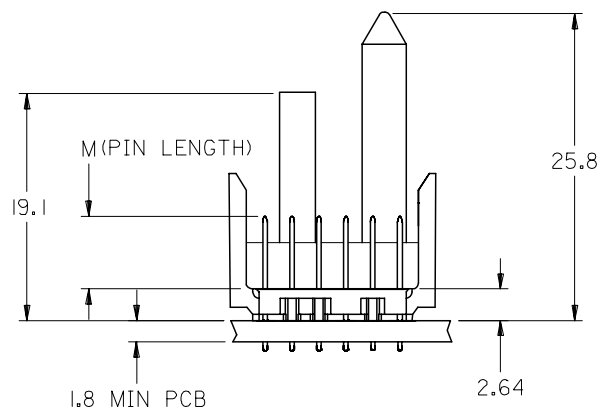


**BACKPLANE HOLE PATTERN**  
RECOMMENDED DIMENSIONS

$\varnothing 0.56 \pm 0.05$  PTH  
 $\varnothing 0.66$  DRILL  
 $\varnothing 1.00$  PAD  
 $\varnothing \varnothing 0.10$



- NOTES:
- MATERIALS:  
HOUSING - LIQUID CRYSTAL POLYMER (LCP),  
GLASS-FILLED, UL 94V-0, COLOR: BLACK  
SIGNAL PIN - COPPER ALLOY
  - FINISHES:  
CONTACT AREA: SELECTIVE GOLD (Au)  
PCB TAILS: SELECTIVE TIN/LEAD (Sn/Pb)  
OR SELECTIVE MATTE TIN (Sn)  
NICKEL (Ni) OVERALL.
  - THIS PART CONFORMS TO MOLEX PRODUCT SPECIFICATION PS-74031-999
  - FOR MIXED CONTACT LENGTHS CONSULT MOLEX FOR AVAILABILITY
  - FOR SPECIFIC MATERIAL NUMBERS & MATING INFORMATION REFER TO SHEET 2
  - PACKAGE PER PK-74058-003
  - EITHER MARK PART WITH PART NUMBER & DATE CODE APPROXIMATELY WHERE SHOWN OR PLACE LABEL ON THE TUBE.



ADD LEADFREE PINS EC NO: UCP2006-0059 DRWN: KMULVEY 2005/07/13 CHKD: 2005/07/13 APPR: SREED 2005/07/15	DESCRIPTION REV	QUALITY SYMBOLS $\nabla=0$ $\nabla=0$	GENERAL TOLERANCES (UNLESS SPECIFIED)		DIMENSION STYLE MM ONLY	SCALE 2.5:1	DESIGN UNITS METRIC	THIRD ANGLE PROJECTION		
		4 PLACES $\pm$ --- $\pm$ --- 3 PLACES $\pm$ --- $\pm$ --- 2 PLACES $\pm$ --- $\pm$ --- 1 PLACE $\pm$ --- $\pm$ ---	mm INCH	DRAWN BY MBANDURA	DATE 2003/01/17	TITLE VHDM LITE 6 ROW SHIELD END BACKPLANE SALES ASSEMBLY				
		ANGULAR $\pm 1/2^\circ$	DRAFT WHERE APPLICABLE MUST REMAIN WITHIN DIMENSIONS	CHECKED BY NMARTIN	DATE 2003/01/17	MOLEX INCORPORATED				
		MATERIAL NO. SEE SHEET 2	DOCUMENT NO. SD-75196-001	APPROVED BY CBIXLER			DATE 2003/01/17	SHEET NO. 1 OF 2		

9 8 7 6 5 4 3 2 1

THIS DRAWING CONTAINS INFORMATION THAT IS PROPRIETARY TO MOLEX INCORPORATED AND SHOULD NOT BE USED WITHOUT WRITTEN PERMISSION

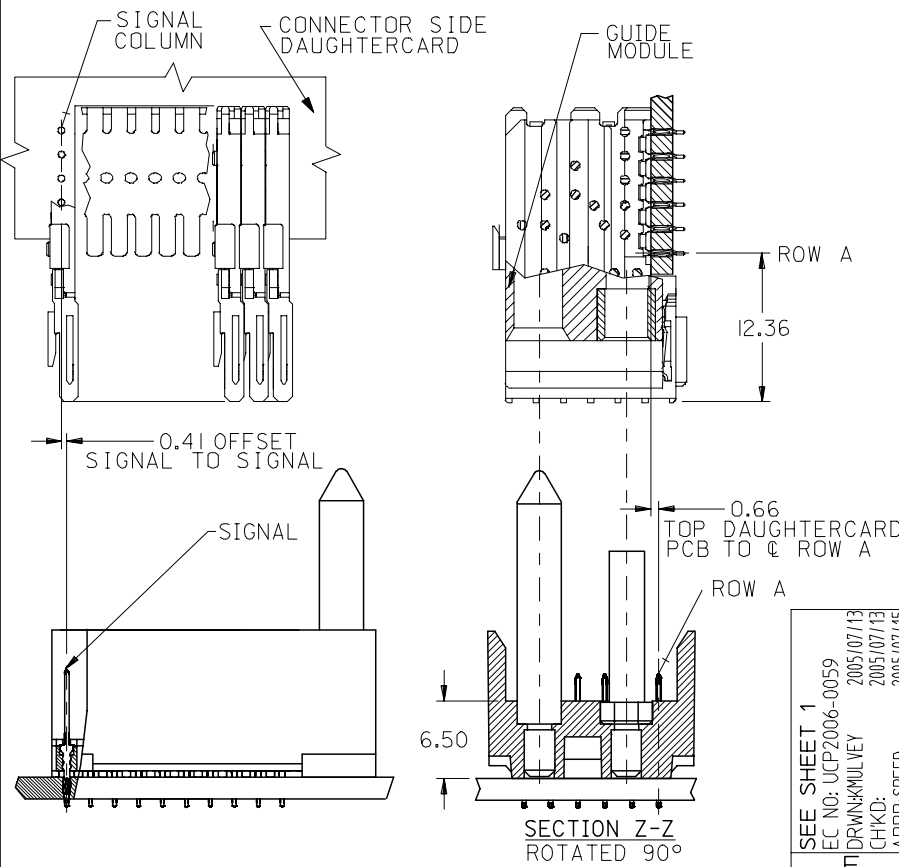
10 9 8 7 6 5 4 3 2 1

M/N 75196-( )	---0*	---1*	---2*	---3*	---4*	---5*	---6*	---7*	---8*
KEYING PIN ORIENTATION	O	A	B	C	D	E	F	G	H

75196 - \* \* \* \*

NUMBER OF COLUMNS/PLATING  
 10 = 10 COLUMN TIN/LEAD  
 25 = 25 COLUMN TIN/LEAD  
 90 = 10 COLUMN MATTE TIN  
 85 = 25 COLUMN MATTE TIN

CONTACT LOAD  
 (PIN HEIGHT)  
 1 = 4.75  
 2 = 6.25  
 3 = 4.25  
 4 = 5.15



PART NUMBER	COLUMN	NUMBER OF SIGNAL PIN	NUMBER OF SHIELD	A	B	M	Au (um) THICKNESS	Sn (um) THICKNESS
75196-*0*1	10	60	0	27.00	18.00	4.75	0.76	0.76-1.52
75196-*5*1	25	150	0	57.00	48.00	4.75	0.76	
75196-*0*2	10	60	0	27.00	18.00	6.25	0.76	
75196-*5*2	25	150	0	57.00	48.00	6.25	0.76	
75196-*0*3	10	60	0	27.00	18.00	4.25	0.76	
75196-*5*3	25	150	0	57.00	48.00	4.25	0.76	
75196-*0*4	10	60	0	27.00	18.00	5.15	0.76	
75196-*5*4	25	150	0	57.00	48.00	5.15	0.76	
							---	
							---	
							---	
							---	

SEE SHEET 1 EC NO: UCP2006-0059 DRW: KMK/MLV CHKD: 2005/07/13 APPR: SREED 2005/07/15	QUALITY SYMBOLS	GENERAL TOLERANCES (UNLESS SPECIFIED)	DIMENSION STYLE MM ONLY	SCALE 2.5:1	DESIGN UNITS METRIC	THIRD ANGLE PROJECTION
	▽=0	4 PLACES ± --- ± ---	DRAWN BY MBANDURA	DATE 2003/01/17	TITLE VHDM LITE 6 ROW SHIELD END BACKPLANE SALES ASSEMBLY MOLEX INCORPORATED	
	▽=0	3 PLACES ± --- ± ---	CHECKED BY NMARTIN	DATE 2003/01/17		
		2 PLACES ± --- ± ---	APPROVED BY CBIXLER	DATE 2003/01/17		
	1 PLACE ± --- ± ---	MATERIAL NO. SEE CHART	DOCUMENT NO. SD-75196-001			
		ANGULAR ±1/2°	DRAFT WHERE APPLICABLE MUST REMAIN WITHIN DIMENSIONS		SHEET NO. 2 OF 2	

9 8 7 6 5 4 3 2 1