

**PLEASE CHECK WWW.MOLEX.COM FOR LATEST PART INFORMATION**

**Part Number:** [0050650018](#)  
**Status:** **Active**  
**Overview:** [cgrid\\_sl\\_products](#)  
**Description:** 2.54mm (.100") Pitch, SL™ Dual Row Wire-to-Wire Panel Mount, 18 Circuits

**Documents:**

[3D Model](#) [Drawing \(PDF\)](#)  
[Packaging Specification \(PDF\)](#) [RoHS Certificate of Compliance \(PDF\)](#)

**Agency Certification**

CSA LR19980  
 UL E29179

**General**

Product Family Accessories  
 Series [70022](#)  
 Component Type Branch  
 Overview [cgrid\\_sl\\_products](#)  
 Product Name SL™

**Physical**

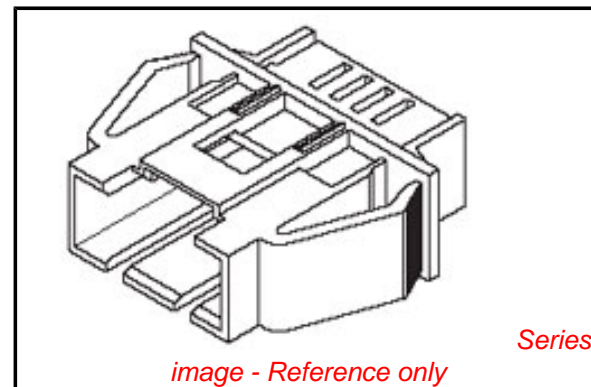
Circuits (Loaded) 18  
 Color - Resin Black  
 Flammability 94V-0  
 Lock to Mating Part Yes  
 Material - Resin Polyester  
 Packaging Type Bag

**Material Info**

Old Part Number 70022-0018

**Reference - Drawing Numbers**

Packaging Specification PK-70022-100  
 Sales Drawing SD-70022-\*\*\*\*



**EU RoHS**

**ELV and RoHS  
 Compliant**  
**REACH SVHC**  
 Not Reviewed  
**Halogen-Free  
 Status**  
**Not Reviewed**

**China RoHS**



**Need more information on product  
 environmental compliance?**

Email [productcompliance@molex.com](mailto:productcompliance@molex.com)  
 For a multiple part number RoHS Certificate of  
 Compliance, [click here](#)

Please visit the [Contact Us](#) section for any  
 non-product compliance questions.

**Search Parts in this Series**

[70022Series](#)

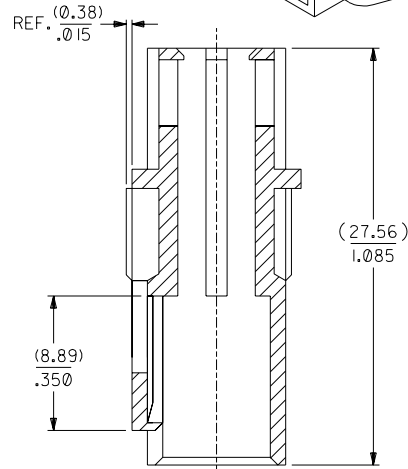
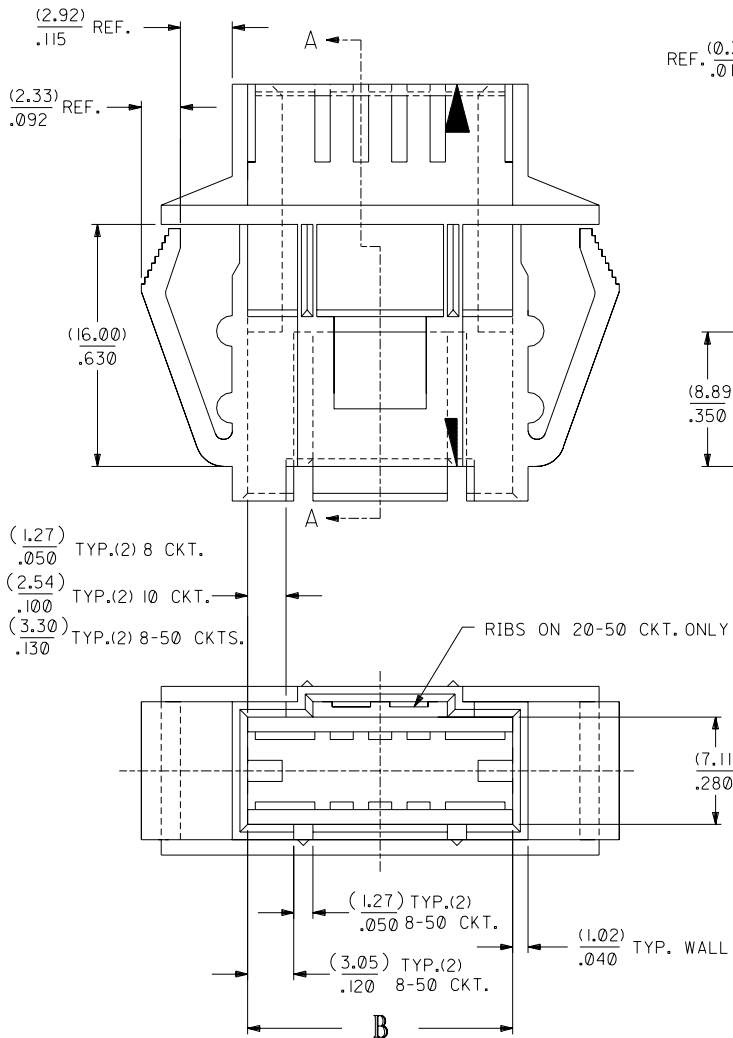
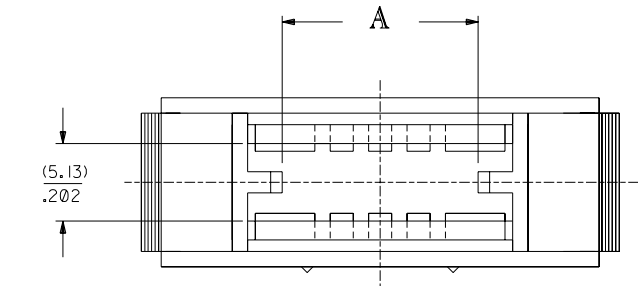
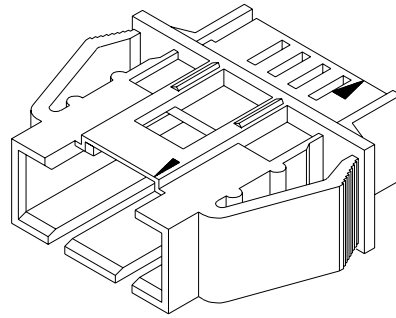
**Use With**

[70066](#) SL™ Crimp Housing. [70475](#) SL™  
 IDT Connector Assembly. [70431](#) SL™ FFC/  
 FPC Connector

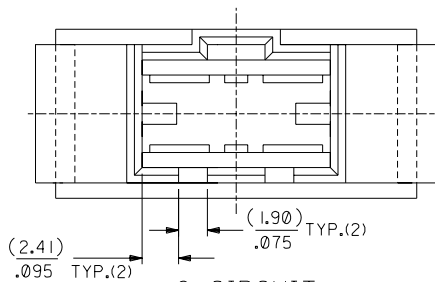
OPTION "A"

NOTES:

- 1) MATERIAL: POLYESTER 94V-0, GLASS FILLED, COLOR: BLACK
- 2) SEE CHART FOR CIRCUIT SIZES.
- 3) HOUSING TO BE USED WITH 70475 SERIES HOUSINGS (OPTION D) AND DUAL ROW INTERIM CLIP 70013-N\*. SEE PAGE 2 FOR ADDITIONAL 50 CIRCUIT, OPTION "A" MATING INTERIM CLIPS.
- 4) PANEL THICKNESS (0.81)/.032 - (2.36)/.093.
- 5) PACKAGE PER PK-70022-100.



SECTION A-A



6 CIRCUIT

| OPTION "A" |            |              |                 |                 |
|------------|------------|--------------|-----------------|-----------------|
| CKT. SIZE  | EDP. NO.   | ENG. NO.     | DIM. "A"        | DIM. "B"        |
| 4          | NOT TOOLED | X-70022-0009 | (5.21) / .205   | (9.91) / .390   |
| 6          | 50-65-0006 | 70022-0001   | (7.75) / .305   | (12.45) / .490  |
| 8          | 50-65-0008 | 70022-0007   | (10.29) / .405  | (14.99) / .590  |
| 10         | 50-65-0010 | 70022-0002   | (12.83) / .505  | (17.53) / .690  |
| 12         | 50-65-0012 | 70022-0012   | (15.37) / .605  | (20.07) / .790  |
| 14         | 50-65-0014 | 70022-0014   | (17.91) / .705  | (22.61) / .890  |
| 16         | 50-65-0016 | 70022-0016   | (20.45) / .805  | (25.15) / .990  |
| 18         | 50-65-0018 | 70022-0018   | (22.99) / .905  | (27.69) / 1.090 |
| 20         | 50-65-0020 | 70022-0003   | (25.53) / 1.005 | (30.23) / 1.190 |
| 22         | 50-65-0022 | 70022-0022   | (28.07) / 1.105 | (32.77) / 1.290 |
| 24         | 50-65-0024 | 70022-0024   | (30.61) / 1.205 | (35.31) / 1.390 |
| 26         | 50-65-0026 | 70022-0026   | (33.15) / 1.305 | (37.85) / 1.490 |
| 28         | 50-65-0028 | 70022-0028   | (35.69) / 1.405 | (40.39) / 1.590 |
| 30         | 50-65-0030 | 70022-0004   | (38.23) / 1.505 | (42.93) / 1.690 |
| 32         | 50-65-0032 | 70022-0032   | (40.77) / 1.605 | (45.47) / 1.790 |
| 34         | 50-65-0034 | 70022-0034   | (43.31) / 1.705 | (48.01) / 1.890 |
| 36         | 50-65-0036 | 70022-0036   | (45.85) / 1.805 | (50.55) / 1.990 |
| 38         | 50-65-0038 | 70022-0038   | (48.39) / 1.905 | (53.09) / 2.090 |
| 40         | 50-65-0040 | 70022-0005   | (50.93) / 2.005 | (55.63) / 2.190 |
| 42         | 50-65-0042 | 70022-0042   | (53.47) / 2.105 | (58.17) / 2.290 |
| 44         | 50-65-0051 | 70022-0044   | (56.01) / 2.205 | (60.71) / 2.390 |
| 46         | 50-65-0046 | 70022-0046   | (58.55) / 2.305 | (63.25) / 2.490 |
| 48         | 50-65-0048 | 70022-0048   | (61.09) / 2.405 | (65.79) / 2.590 |
| 50         | 50-65-0050 | 70022-0006   | (63.63) / 2.505 | (68.33) / 2.690 |

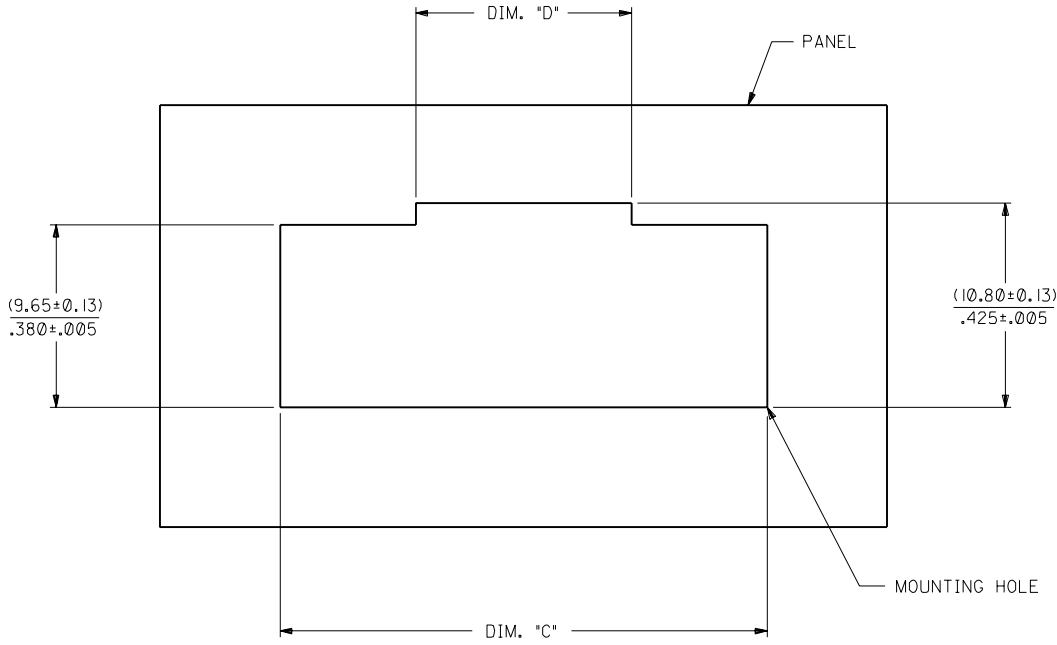
|   |      |
|---|------|
| 3 | P    |
| 2 | P    |
| 1 | O    |
|   | REV. |

|      |   |      |  |
|------|---|------|--|
| Q    | ADD EJECTOR BUMPS<br>UCP2004-1610<br>RWHITE 04/02/23  | NI   | ADDED SHEET 4<br>50 CKT KEYING OPT<br>ENC = U80986<br>11/17/97 - HPA   |
| P    | VOID OPTION B<br>ECN UDT2001-0578<br>SCHAFFER 00/12/5 | N    | REVISED PER<br>ECN# U10463<br>1-11-91 MGB                              |
| O    | ADD PKG NOTE<br>PER UDT2000-0468<br>SCHAFFER 99/12/1  | M    | RELACES SD-70022<br>-0001-0048 PER<br>ECR = U00500<br>06-28-90 MJM/DJK |
| LTR. | REVISIONS   | LTR. | REVISIONS  |

|  |                |
|--|----------------|
| DIMENSIONS SHOWN (METRIC) INCH                           |                |
| UNLESS OTHERWISE SPECIFIED<br>TOLERANCES: ANGULAR ± 1/2° |                |
| 3 PLACE ± .010   | ---            |
| 2 PLACE ± .014   | ± 0.25         |
| 1 PLACE ---  | ± 0.35         |
| DRAFT WHERE APPLICABLE MUST<br>REMAIN WITHIN DIMENSIONS  |                |
| DRWG. BY: DJK  | CHK'D. BY: MJM |
| APP'D. BY: MJM   | SCALE: 4:1     |

|  |   |                           |
|--|---|---------------------------|
| ▽ = 0  | ▼ = 0   | REVISE ONLY ON CAD SYSTEM |
| TITLE<br>HOUSING, PANEL MOUNT (DUAL ROW)<br>(OPT. D HSG. TO DUAL ROW CLIP) |   |                           |
| MOLEX INCORPORATED<br>LISLE, ILL. 60532                                    | SHEET NO.<br>1 of 3   | DATE<br>06/28/90          |
| SEE CHART  | SD-70022-****   |                           |
| FILE NAME<br>S70022X3  | THIS DRAWING CONTAINS INFORMATION THAT IS PROPRIETARY TO<br>MOLEX INC. AND SHOULD NOT BE USED WITHOUT WRITTEN PERMISSION. | DIV. SIZE<br>DA C         |

| CKT. SIZE | DIM. "C"<br>±(0.13)/.005 | DIM. "D"<br>±(0.13)/.005 |
|-----------|--------------------------|--------------------------|
| 4         | (18.16)<br>.715          | (8.64)<br>.340           |
| 6         | (20.70)<br>.815          | (8.64)<br>.340           |
| 8         | (23.24)<br>.915          | (8.89)<br>.350           |
| 10        | (25.78)<br>1.015         | (11.43)<br>.450          |
| 12        | (28.32)<br>1.115         | (13.97)<br>.550          |
| 14        | (30.86)<br>1.215         | (16.51)<br>.650          |
| 16        | (33.40)<br>1.315         | (19.05)<br>.750          |
| 18        | (35.94)<br>1.415         | (21.59)<br>.850          |
| 20        | (38.48)<br>1.515         | (24.13)<br>.950          |
| 22        | (41.02)<br>1.615         | (26.67)<br>1.050         |
| 24        | (43.56)<br>1.715         | (29.21)<br>1.150         |
| 26        | (46.10)<br>1.815         | (31.75)<br>1.250         |
| 28        | (48.64)<br>1.915         | (34.29)<br>1.350         |
| 30        | (51.18)<br>2.015         | (36.83)<br>1.450         |
| 32        | (53.72)<br>2.115         | (39.37)<br>1.550         |
| 34        | (56.26)<br>2.215         | (41.91)<br>1.650         |
| 36        | (58.80)<br>2.315         | (44.45)<br>1.750         |
| 38        | (61.34)<br>2.415         | (46.99)<br>1.850         |
| 40        | (63.88)<br>2.515         | (49.53)<br>1.950         |
| 42        | (66.42)<br>2.615         | (52.07)<br>2.050         |
| 44        | (68.96)<br>2.715         | (54.61)<br>2.150         |
| 46        | (71.50)<br>2.815         | (57.15)<br>2.250         |
| 48        | (74.04)<br>2.915         | (59.69)<br>2.350         |
| 50        | (76.58)<br>3.015         | (62.23)<br>2.450         |



OPTION "A"  
RECOMMENDED MOUNTING  
HOLE LAYOUT

|   |             |
|---|-------------|
| P | SEE SHEET I |
| M | SEE SHEET I |

|  |  |                      |  |   |  |                           |  |
|--|--|----------------------|--|---|--|---------------------------|--|
| DIMENSIONS SHOWN (METRIC) INCH                       |  | ▽ = 0                |  | ▽ = 0   |  | REVISE ONLY ON CAD SYSTEM |  |
| UNLESS OTHERWISE SPECIFIED TOLERANCES ANGULAR ± 1/2° |  | TITLE                |  | HOUSING, PANEL MOUNT (DUAL ROW) (OPT. D HSG. TO DUAL ROW CLIP)  |  | SHEET NO. 3               |  |
| 3 PLACE ± --- ---                                    |  | INCH                 |  | METRIC  |  | DATE 06/28/90             |  |
| 2 PLACE ± --- ± ---                                  |  | 1 PLACE --- ± ---    |  | DRAFT WHERE APPLICABLE MUST REMAIN WITHIN DIMENSIONS  |  | PART NO. SD-70022-XXXX    |  |
| DRAWN BY DJK   |  | CHK'D BY MJM         |  | SCALE --- : ---   |  | DIV. DA                   |  |
| APP'D BY MJM   |  | FILE NAME S70022.XGS |  | THIS DRAWING CONTAINS INFORMATION THAT IS PROPRIETARY TO MOLEX INC. AND SHOULD NOT BE USED WITHOUT WRITTEN PERMISSION |  | SIZE                      |  |

70022