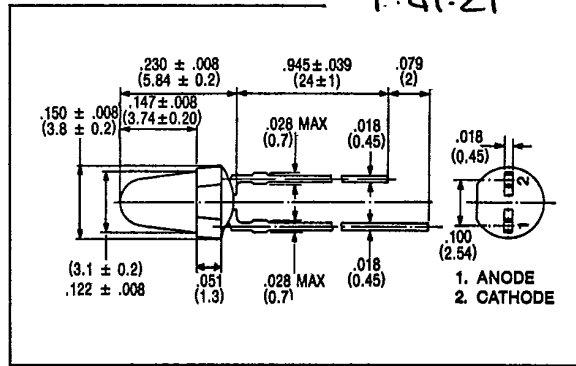


T-1 TAPERED LED LAMPS

FEATURES

- Narrow viewing angle for high brightness.
- Available in Ultra Red, High Efficiency Red, Orange, Ultra Green, Green, Ultra Yellow and Yellow.
- Excellent for backlighting applications.
- Solid state reliability.



MAXIMUM RATINGS (Ta = 25°C)

PART NO.	FORWARD CURRENT (If) (mA)	REVERSE VOLTAGE (Vr) (V)	POWER DISSIPATION (Pd) (mW)	OPERATING TEMPERATURE (Topr) (°C)	STORAGE TEMPERATURE (Tstg) (°C)
MT630-HR	25	4	70	-20 ~ 75	-30 ~ 100
MT640-HR	25	4	70	-20 ~ 75	-30 ~ 100
MT630-G	25	4	70	-20 ~ 75	-30 ~ 100
MT640-G	25	4	70	-20 ~ 75	-30 ~ 100
MT630-Y	25	4	70	-20 ~ 75	-30 ~ 100
MT640-Y	25	4	70	-20 ~ 75	-30 ~ 100
MT630-O	25	4	70	-20 ~ 75	-30 ~ 100
MT640-O	25	4	70	-20 ~ 75	-30 ~ 100
MT630-UR	25	4	55	-20 ~ 75	-30 ~ 100
MT640-UR	25	4	55	-20 ~ 75	-30 ~ 100
MT630-UG	25	4	70	-20 ~ 75	-30 ~ 100
MT640-UG	25	4	70	-20 ~ 75	-30 ~ 100
MT630-UY	25	4	70	-20 ~ 75	-30 ~ 100
MT640-UY	25	4	70	-20 ~ 75	-30 ~ 100

OPTO-ELECTRICAL CHARACTERISTICS (Ta = 25°C)

PART NO.	MATERIAL	LENS COLOR	VIEWING ANGLE		LUMINOUS INTENSITY (mcd)		FORWARD VOLTAGE (V)			REVERSE CURRENT		PEAK WAVELENGTH (nm)	SPEC. LINE HALF WIDTH (nm)
			typ.	min.	typ.	at mA	typ.	max.	at mA	µA	Vr		
MT630-HR	GaAsP/GaP	Red/Clear	10°	10	20	20	2.1	2.8	20	100	4	635	40
MT640-HR	GaAsP/GaP	Red/Diff.	20°	5	10	20	2.1	2.8	20	100	4	635	40
MT630-G	GaP/GaP	Green/Clear	10°	10	20	20	2.1	2.8	20	5	4	565	25
MT640-G	GaP/GaP	Green/Diff.	20°	5	10	20	2.1	2.8	20	5	4	565	25
MT630-Y	GaAsP/GaP	Yellow/Clear	10°	10	20	20	2.1	2.8	20	100	4	585	32
MT640-Y	GaAsP/GaP	Yellow/Diff.	20°	5	10	20	2.1	2.8	20	100	4	585	32
MT630-O	GaAsP/GaP	Orange/Clear	10°	10	20	20	2.1	2.8	20	100	4	610	35
MT640-O	GaAsP/GaP	Orange/Diff.	20°	5	10	20	2.1	2.8	20	100	4	610	35
MT630-UR	GaAlAs	Red/Clear	10°	20	40	20	1.75	2.2	20	100	4	660	25
MT640-UR	GaAlAs	Red/Diff.	20°	10	20	20	1.75	2.2	20	100	4	660	25
MT630-UG	GaP/GaP	Green/Clear	10°	20	40	20	2.1	2.8	20	5	4	565	25
MT640-UG	GaP/GaP	Green/Diff.	20°	10	20	20	2.1	2.8	20	5	4	565	25
MT630-UY	GaAsP/GaP	Yellow/Clear	10°	20	40	20	2.1	2.8	20	100	4	585	32
MT640-UY	GaAsP/GaP	Yellow/Diff.	20°	10	20	20	2.1	2.8	20	100	4	585	32