
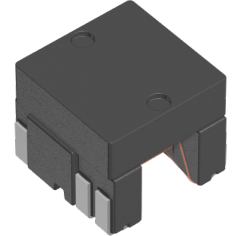


ALT3232M-151-T001



Applications	for Consumer / Industrial
Product Type	Transformers
System	10BASE-T 100BASE-TX 1000BASE-T
Features	Auto Prod. Automated Production
Series	ALT
Status	 Production
Brand	TDK



Size	
Length(L)	3.20mm ±0.25mm
Width(W)	3.20mm ±0.25mm
Height(H)	2.90mm Max.

Electrical Characteristics	
Turns Ratio	1CT:1CT
Inductance	150µH Min. at 100kHz, DC bias 8mA
Insertion Loss	2.5dB Max. [0.1 to 100MHz]
Inter-winding Stray Capacitance	25pF
Withstanding Voltage	Compliant with IEEE 802.3, Impulse 2400V 1.2/50µs

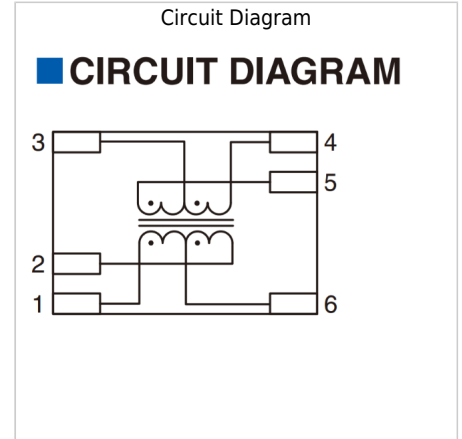
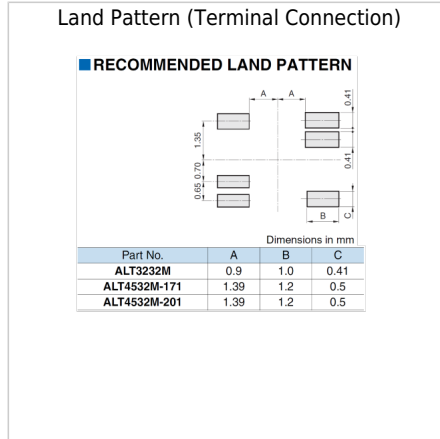
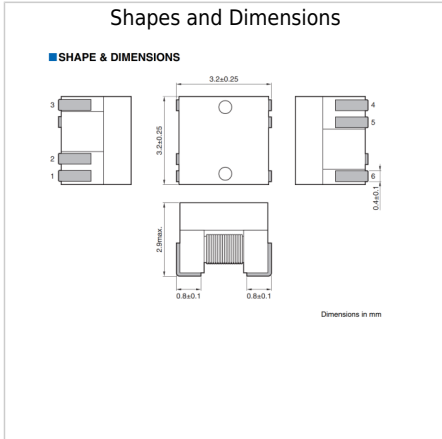
Other	
Operating Temp. Range	-40 to 85°C
AEC-Q200	No
Packing	Embossed (Plastic)Taping [330mm Reel, Tape width 12mm]
Package Quantity	2000pcs
Weight	0.12g

! Images are for reference only and show exemplary products.
! This PDF document was created based on the data listed on the TDK Corporation website.
! All specifications are subject to change without notice.

ALT3232M-151-T001



Associated Images



! Images are for reference only and show exemplary products.
! This PDF document was created based on the data listed on the TDK Corporation website.
! All specifications are subject to change without notice.