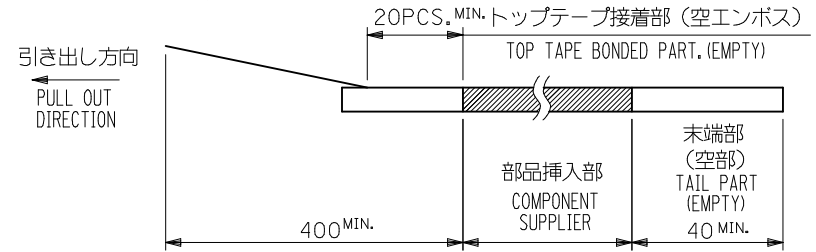


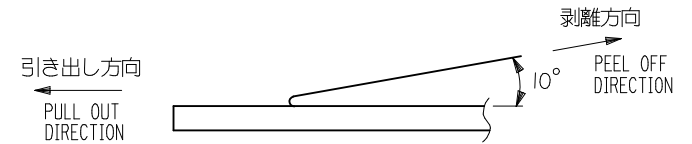
NOTES

1. 梱包数量：1000個/リール  
NUMBER OF CONNECTORS : 1000PCS/REEL
2. リードテープ長さ LEAD TAPE LENGTH



3. トップテープの剥離強度：0.1N ~ 0.7N(10.2gf ~ 71.4gf)  
(剥離方向は下図参照)

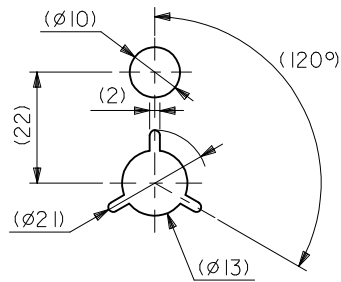
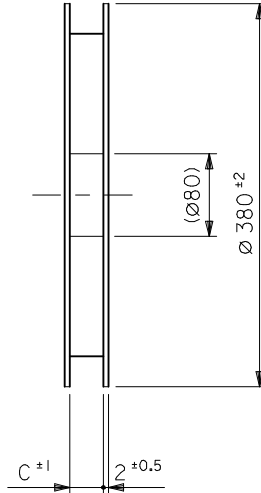
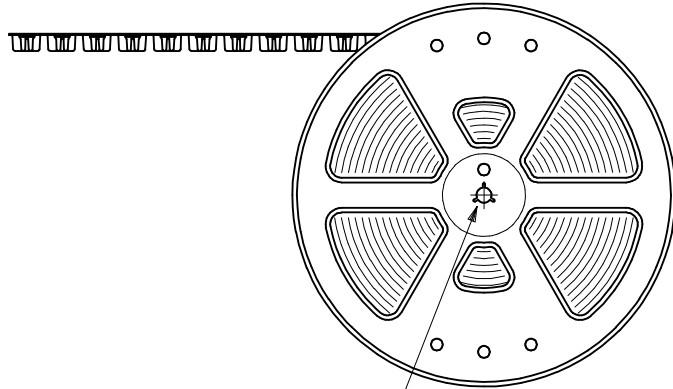
尚、本規格値は出荷時に適用。(但し、輸送時に剥離が発生しないこと。)  
PEELING OFF FORCE OF TOP TAPE : 0.1N ~ 0.7N(10.2gf ~ 71.4gf)  
(PEELING DIRECTION AS SHOWN IN FOLLOWING FIG.)  
THIS REQUIREMENT SHOULD BE APPLIED AT SHIPMENT.  
PEEL OFF SHOULD NOT BE ALLOWED , DURING TRANSPORTATION.



4. 52610-\*\*-17のアクチュエータはハウジング内に押し下げた状態とする。  
詳細寸法については図面 SD-52610-055 を参照下さい。  
ACTUATOR OF PART NO. 52610-\*\*-17 SHULD BE LOCKED.  
RE DETAILED DIMENSIONS , SEE SD-52610-055

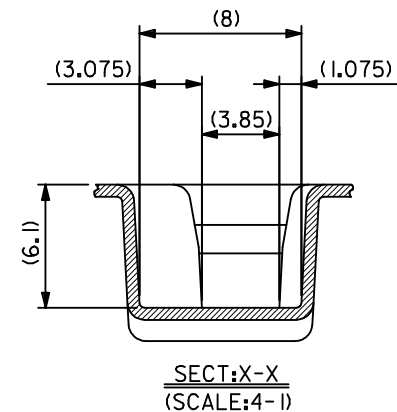
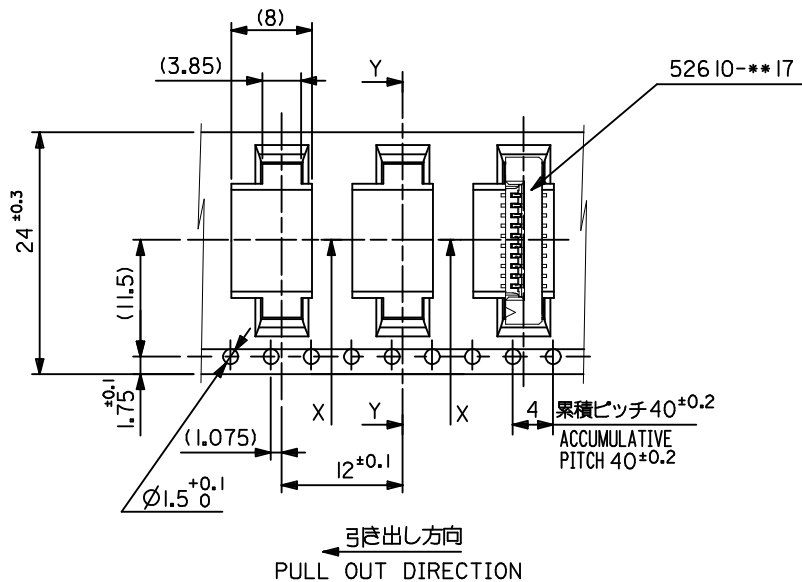
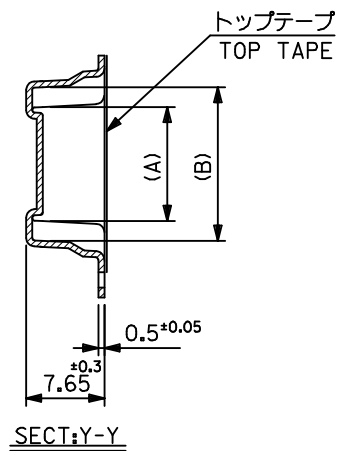
5. 材料(MATERIAL)  
キャリアテープ(CARRIER TAPE)：ポリプロピレン(POLYPROPYLENE)  
トップテープ(TOPTAPE)：PET , PE , PEF  
リール(REEL)：ポリスチレン(P.S) <リサイクル材を含む>  
POLYSTYREN(PS) <RECYCLE MATERIAL CONTAINED>

引き出し方向  
PULL OUT  
DIRECTION



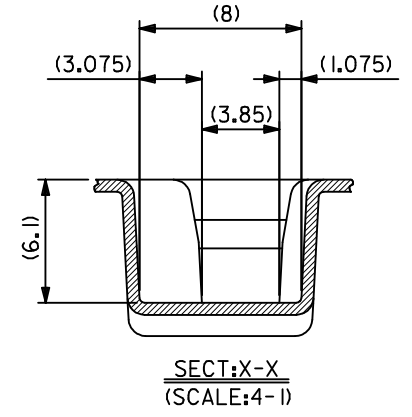
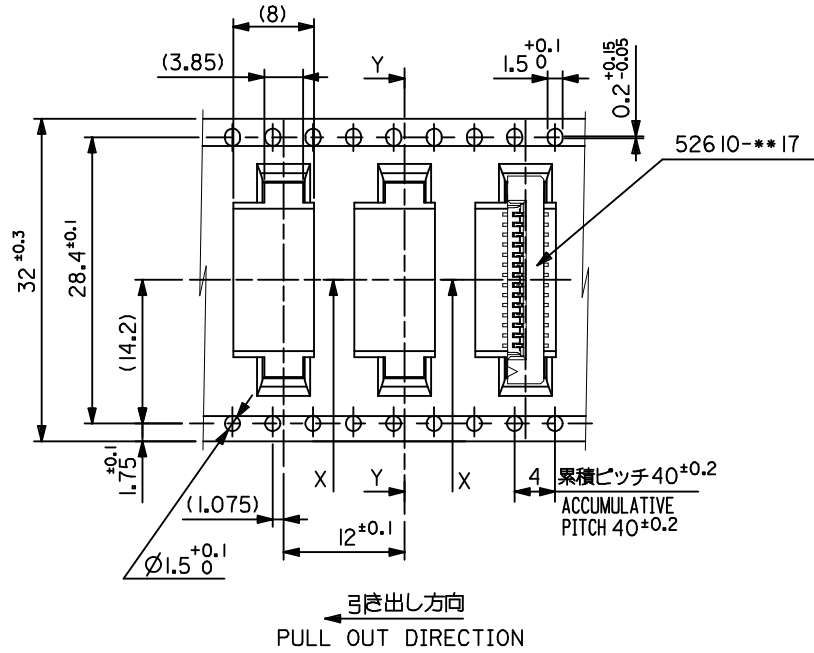
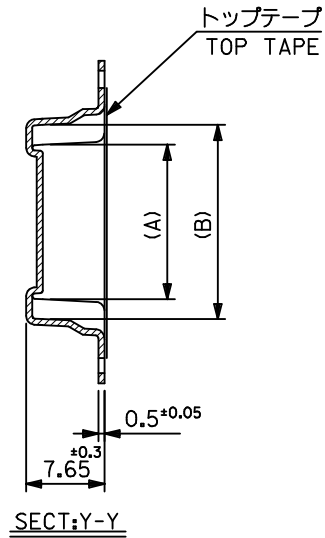
DETAIL "F"

REVISED EC NO: J2014-1307 DRWN:MTAKAHASHI 04/2014/02/24 CHKD:KTAKAHASHI 2014/02/25 APPR:YNOGAWA 2014/03/11	DESCRIPTION REV	GENERAL TOLERANCES (UNLESS SPECIFIED)		DIMENSION STYLE MM ONLY	SCALE ---	DESIGN UNITS METRIC	THIRD ANGLE PROJECTION	
		10 UNDER	±0.2	DRAWN BY MTAKAHASHI 04	DATE 2013/06/03	TITLE 1.0 FPC CONN SMT ZIF EMBSTP PKG SHEET 1 OF 5		
		10 OVER 30 UNDER	±0.25	CHECKED BY KTAKAHASHI	DATE 2013/06/03			
		30 OVER	±0.3	APPROVED BY YNOGAWA	DATE 2013/07/30			
ANGULAR ±3 °		DRAFT WHERE APPLICABLE MUST REMAIN WITHIN DIMENSIONS		MATERIAL NO. SEE CHART	DOCUMENT NO. SD-52610-052	SHEET NO. 1 OF 5		
				SIZE A3	THIS DRAWING CONTAINS INFORMATION THAT IS PROPRIETARY TO MOLEX INCORPORATED AND SHOULD NOT BE USED WITHOUT WRITTEN PERMISSION			



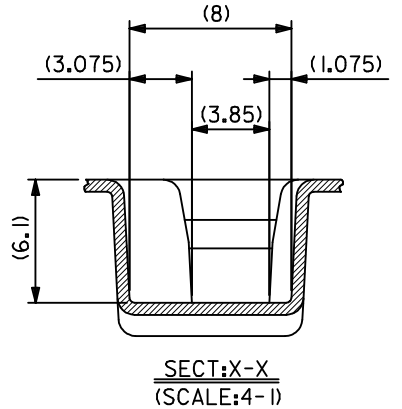
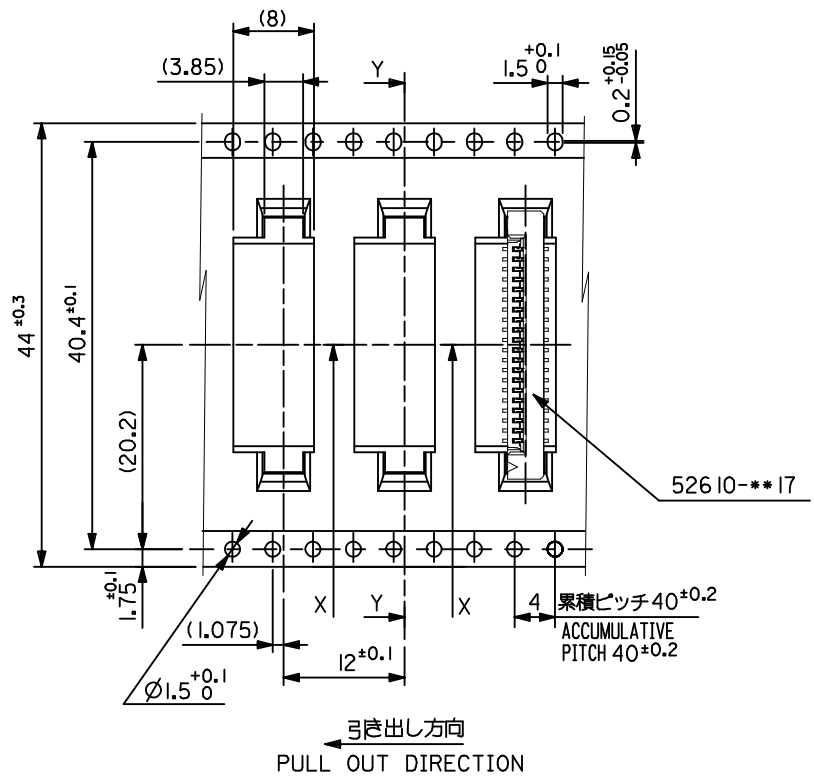
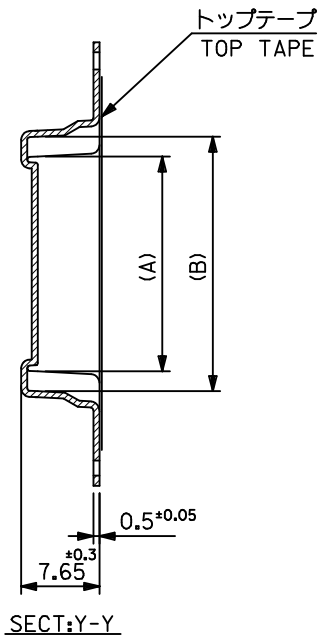
24	25.5	15.25	11.32	52610-1090	10
		13.25	9.32	52610-0890	8
		12.25	8.32	52610-0790	7
		11.25	7.32	52610-0690	6
キャリアテープ幅 CARRIER TAPE WIDTH	C	(B)	(A)	ENG. NO.	極数 CKT.

REVISED EC NO: J2014-1307 DRWN:MTAKAHASHI 04/2014/02/25 CHKD:KTAKAHASHI 2014/02/25 APPR:YNOGAWA 2014/03/11	DESCRIPTION A	GENERAL TOLERANCES (UNLESS SPECIFIED)		DIMENSION STYLE MM ONLY		SCALE ---	DESIGN UNITS METRIC	THIRD ANGLE PROJECTION	
		10 UNDER	±0.2	DRAWN BY MTAKAHASHI 04	DATE 2013/06/03	TITLE 1.0 FPC CONN SMT ZIF EMBSTP PKG SHEET 2 OF 5			
		10 OVER 30 UNDER	±0.25	CHECKED BY KTAKAHASHI	DATE 2013/06/03				
		30 OVER	±0.3	APPROVED BY YNOGAWA	DATE 2013/07/30				
ANGULAR ±3 °		DRAFT WHERE APPLICABLE MUST REMAIN WITHIN DIMENSIONS		MATERIAL NO. SEE CHART		DOCUMENT NO. SD-52610-052		SHEET NO. 2 OF 5	
THIS DRAWING CONTAINS INFORMATION THAT IS PROPRIETARY TO MOLEX INCORPORATED AND SHOULD NOT BE USED WITHOUT WRITTEN PERMISSION									



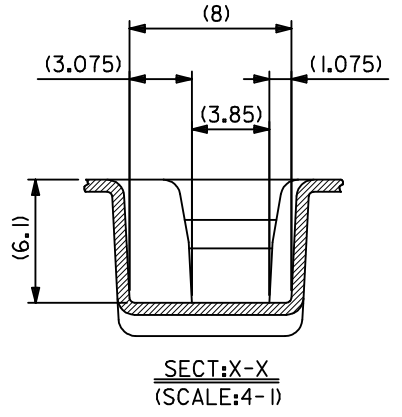
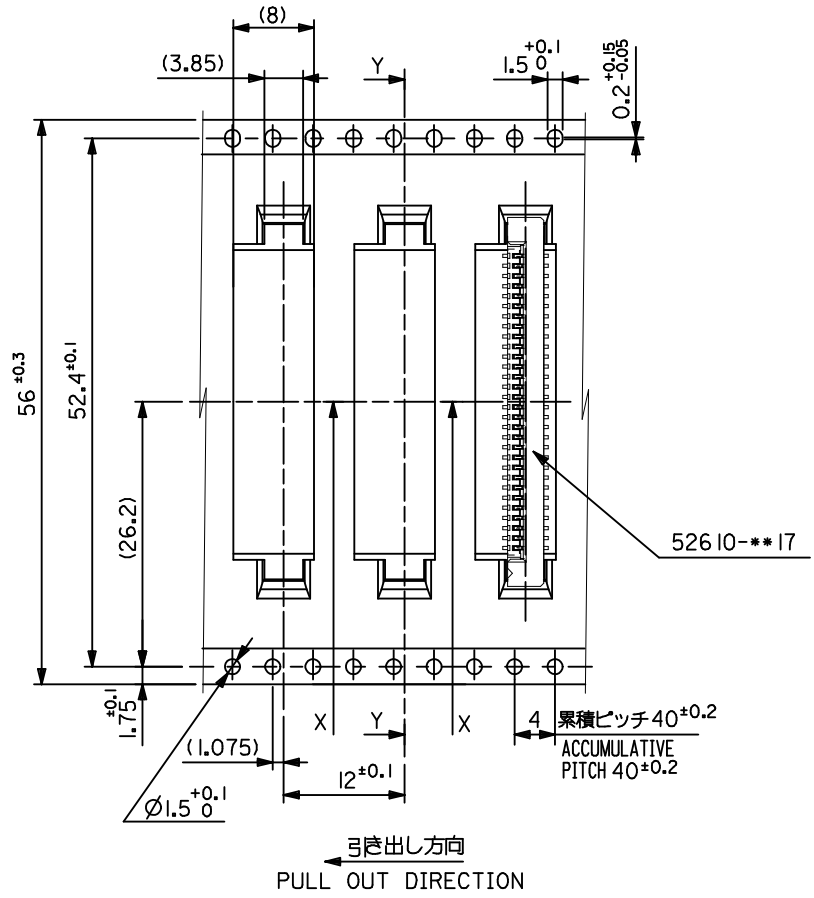
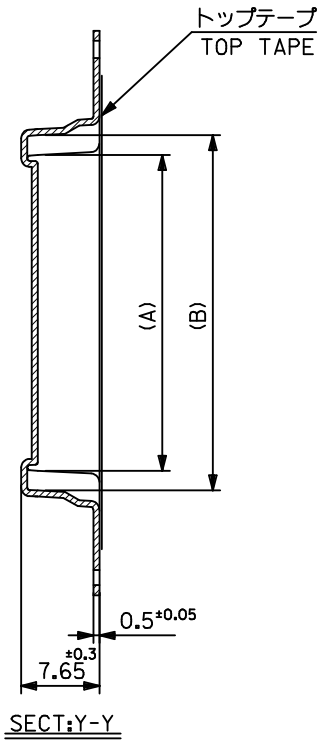
32	33.5	20.25	16.32	52610-1590	15
		19.25	15.32	52610-1490	14
キャリアテープ幅 CARRIER TAPE WIDTH	C	(B)	(A)	ENG. NO.	極数 CKT.

REVISED EC NO: J2014-1307 DRWN:MTAKAHASHI 04/2014/02/25 CHKD:KTAKAHASHI 2014/02/25 APPR:YNOGAWA 2014/03/11	GENERAL TOLERANCES (UNLESS SPECIFIED)		DIMENSION STYLE MM ONLY		SCALE ---	DESIGN UNITS METRIC	THIRD ANGLE PROJECTION
	10 UNDER	±0.2	DRAWN BY MTAKAHASHI 04	DATE 2013/06/03	TITLE 1.0 FPC CONN SMT ZIF EMBSTP PKG SHEET 3 OF 5		
	10 OVER 30 UNDER	±0.25	CHECKED BY KTAKAHASHI	DATE 2013/06/03			
	30 OVER	±0.3	APPROVED BY YNOGAWA	DATE 2013/07/30			
ANGULAR	±3 °	MATERIAL NO. SEE CHART		DOCUMENT NO. SD-52610-052	SHEET NO. 3 OF 5		
DRAFT WHERE APPLICABLE MUST REMAIN WITHIN DIMENSIONS		THIS DRAWING CONTAINS INFORMATION THAT IS PROPRIETARY TO MOLEX INCORPORATED AND SHOULD NOT BE USED WITHOUT WRITTEN PERMISSION					



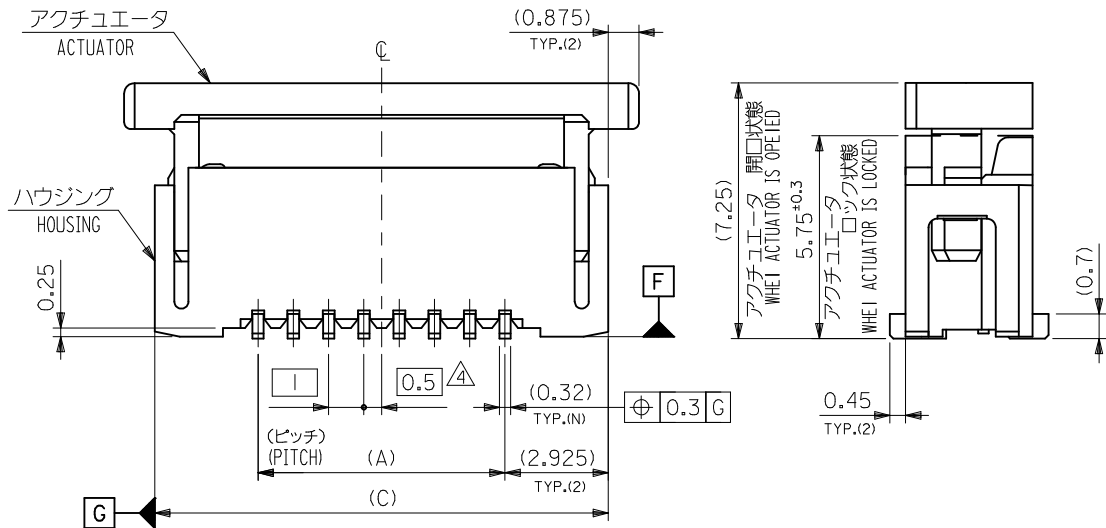
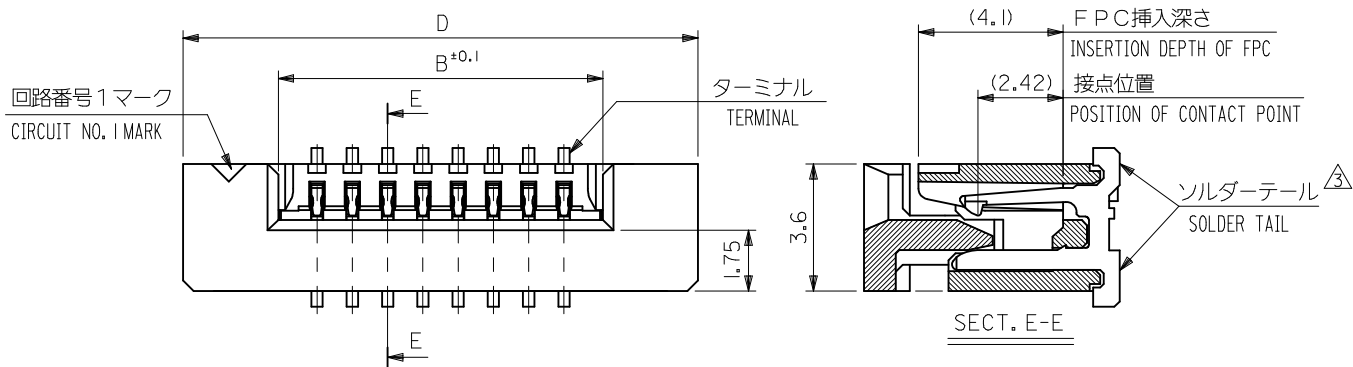
44	45.5	28.25	24.32	52610-2390	23
		27.25	23.32	52610-2290	22
キャリアテープ幅 CARRIER TAPE WIDTH	C	(B)	(A)	ENG. NO.	種別 CKT.

REVISED EC NO: J2014-1307 DRWN:MTAKAHASHI 04/2014/02/25 CHKD:KTAKAHASHI 2014/02/25 APPR:YNOGAWA 2014/03/11	DESCRIPTION REV	GENERAL TOLERANCES (UNLESS SPECIFIED)		DIMENSION STYLE MM ONLY		SCALE ---	DESIGN UNITS METRIC		THIRD ANGLE PROJECTION		
		10 UNDER	±0.2	DRAWN BY	DATE	TITLE					
		10 OVER 30 UNDER	±0.25	MTAKAHASHI 04	2013/06/03	1.0 FPC CONN SMT ZIF EMBSTP PKG SHEET 4 OF 5					
		30 OVER	±0.3	KTAKAHASHI	2013/06/03						
ANGULAR ±3 °		APPROVED BY	DATE	MATERIAL NO.							
DRAFT WHERE APPLICABLE MUST REMAIN WITHIN DIMENSIONS		SEE CHART		SD-52610-052		4 OF 5		THIS DRAWING CONTAINS INFORMATION THAT IS PROPRIETARY TO MOLEX INCORPORATED AND SHOULD NOT BE USED WITHOUT WRITTEN PERMISSION			



56	57.5	35.25	31.32	52610-3090	30
		33.25	29.32	52610-2890	28
キャリアテープ幅 CARRIER TAPE WIDTH	C	(B)	(A)	ENG. NO.	極数 CKT.

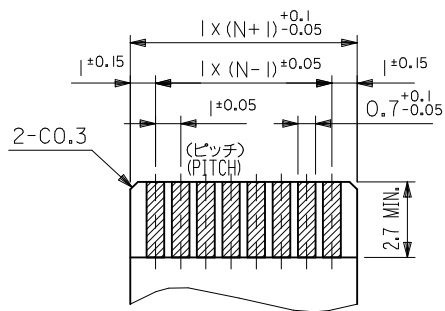
REVISED EC NO: J2014-1307 DRWN:MTAKAHASHI 04 2014/02/25 CHKD:KTAKAHASHI 2014/02/25 APPR:YNOGAWA 2014/03/11	DESCRIPTION	GENERAL TOLERANCES (UNLESS SPECIFIED)		DIMENSION STYLE MM ONLY		SCALE ---	DESIGN UNITS METRIC	THIRD ANGLE PROJECTION	
		10 UNDER	±0.2	DRAWN BY MTAKAHASHI 04	DATE 2013/06/03	TITLE 1.0 FPC CONN SMT ZIF EMBSTP PKG SHEET 5 OF 5			
		10 OVER 30 UNDER	±0.25	CHECKED BY KTAKAHASHI	DATE 2013/06/03				
		30 OVER	±0.3	APPROVED BY YNOGAWA	DATE 2013/07/30				
A	REV	ANGULAR	±3 °	MATERIAL NO.	SEE CHART	DOCUMENT NO. SD-52610-052	SHEET NO. 5 OF 5		
		DRAFT WHERE APPLICABLE MUST REMAIN WITHIN DIMENSIONS		THIS DRAWING CONTAINS INFORMATION THAT IS PROPRIETARY TO MOLEX INCORPORATED AND SHOULD NOT BE USED WITHOUT WRITTEN PERMISSION					



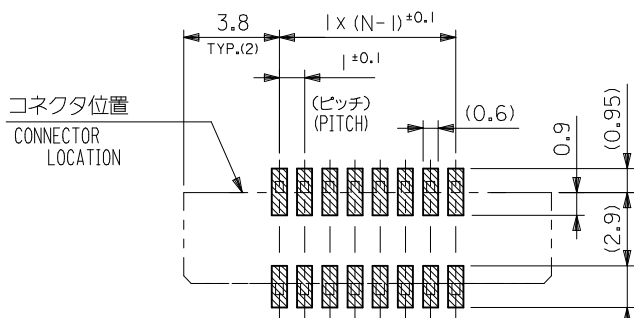
注記 (NOTES) :

- 材料 (MATERIAL)  
 ハウジング (HOUSING) : 46NYLON , UL94V-0  
 アクチュエータ (ACTUATOR) : PPS , UL94V-0  
 ターミナル (TERMINAL) : リン青銅、錫メッキ (tO. 32)  
 PHOS-BRO. TIN-PLATED
  - エンボステープ梱包時は、アクチュエータがロックした状態とする。  
 IN THE PACKAGE , ACTUATOR OF PART NO.52610-\*\*17 SHOULD BE LOCKED.
- △ ソルダータール半田付け面のズレ量は、基準面 [F] に対し上方向 0.05 MAX. 下方向 0.15 MAX. とする。  
 MISALIGNMENT OF SOLDER TAILS FROM [F] UPPER DIRECTION : 0.05 MAX., LOWER DIRECTION : 0.15 MAX.
- △ 偶数極に適用。  
 APPLY FOR EVEN CIRCUIT.

RELEASED EC NO: J2014-1307 DRWN: MTAKAHASHI 04 2014/02/24 CHKD: KTAKAHASHI 2014/02/25 APPR: YNOGAWA 2014/03/11	GENERAL TOLERANCES (UNLESS SPECIFIED)		DIMENSION STYLE MM ONLY		SCALE ---	DESIGN UNITS METRIC	THIRD ANGLE PROJECTION
	10 UNDER	±0.2	DRAWN BY MTAKAHASHI 04	DATE 2014/02/24	TITLE 1.0 FPC ZIF FOR SMT ST SHEET 1 OF 2		
	10 OVER 30 UNDER	±0.25	CHECKED BY KTAKAHASHI	DATE 2014/02/25			
	30 OVER	±0.3	APPROVED BY YNOGAWA	DATE 2014/03/11			
ANGULAR ±3 °		MATERIAL NO. SEE SHEET 2 OF 2		DOCUMENT NO. SD-52610-055		SHEET NO. 1 OF 2	
DRAFT WHERE APPLICABLE MUST REMAIN WITHIN DIMENSIONS		SIZE A3 THIS DRAWING CONTAINS INFORMATION THAT IS PROPRIETARY TO MOLEX INCORPORATED AND SHOULD NOT BE USED WITHOUT WRITTEN PERMISSION					



適合FPC推奨寸法  
 APPLICABLE FPC RECOMMENDED DIM.  
 仕上がり厚さ(THICKNESS): 0.3 ±0.05



参考基板レイアウト  
 P.C.BOARD PATTERN LAYOUT  
 (REFERENCE)

36.6	34.85	31.2	29	52610-3017	30
34.6	32.85	29.2	27	-2817	28
29.6	27.85	24.2	22	-2317	23
28.6	26.85	23.2	21	-2217	22
21.6	19.85	16.2	14	-1517	15
20.6	18.85	15.2	13	-1417	14
16.6	14.85	11.2	9	-1017	10
14.6	12.85	9.2	7	-0817	8
13.6	11.85	8.2	6	-0717	7
12.6	10.85	7.2	5	52610-0617	6
D	(C)	B	(A)	ENG. NO.	CKT.

RELEASED EC NO: J2014-1307 DRWN: MTAKAHASHI 04/2014/02/24 CHKD: TAKAHASHI 2014/02/25 APPR: YNOGAWA 2014/03/11	GENERAL TOLERANCES (UNLESS SPECIFIED)		DIMENSION STYLE MM ONLY		SCALE ---	DESIGN UNITS METRIC	THIRD ANGLE PROJECTION
	10 UNDER	±0.2	DRAWN BY DATE MTAKAHASHI 04/2014/02/24		TITLE 1.0 FPC CONN ZIF FOR SMT SHEET 2 OF 2		
	10 OVER 30 UNDER	±0.25	CHECKED BY DATE KTAKAHASHI 2014/02/25		MATERIAL NO. DOCUMENT NO. SHEET NO. SEE CHART SD-52610-055 2 OF 2		
	30 OVER	±0.3	APPROVED BY DATE YNOGAWA 2014/03/11		THIS DRAWING CONTAINS INFORMATION THAT IS PROPRIETARY TO MOLEX INCORPORATED AND SHOULD NOT BE USED WITHOUT WRITTEN PERMISSION		
0	ANGULAR ±3 ° DRAFT WHERE APPLICABLE MUST REMAIN WITHIN DIMENSIONS						