

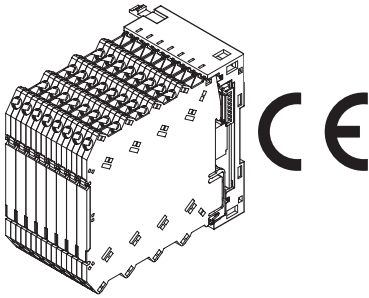
Remote I/O R6 Series

INSTALLATION BASE

(Screw terminal)

Functions & Features

- Installation base dedicated to Remote I/O R6 Series



MODEL: R6N-BS[1][2]

ORDERING INFORMATION

- Code number: R6N-BS[1][2]

Specify a code from below for each [1] and [2].

- (e.g. R6N-BS8A/Q)
- Specify the specification for option code /Q (e.g. /C01)

[1] NUMBER OF SLOTS

8A: 8 I/O slots + Network Module (18 mm wide)

8B: 8 I/O slots + Network Module (36.5 mm wide)

(Selectable only for using with R6-NF1, R6-NC3/W or R6-PSM)

8P: 8 I/O slots for extension

[2] OPTIONS

blank: none

/Q: With options (specify the specification)

SPECIFICATIONS OF OPTION: Q

COATING (For the detail, refer to M-System's web site.)

Only solder side of the PWB is coated.

/C01: Silicone coating

/C02: Polyurethane coating

GENERAL SPECIFICATIONS

Construction: DIN rail or surface mounting

Capacity:

- R6N-BS8A: I/O / power supply module, 8 slots + network (18 mm wide) module
- R6N-BS8B: I/O / power supply module, 8 slots + network (36.5 mm wide) module

- R6N-BS8P: I/O / power supply module, 8 slots

Housing material: Flame-resistant resin (black)

INSTALLATION

Operating temperature: -10 to +55°C (14 to 131°F)

Operating humidity: 30 to 90 %RH (non-condensing)

Atmosphere: No corrosive gas or heavy dust

Construction: DIN rail or surface mounting

Weight (No remote I/O module mounted)

R6N-BS8A: 80 g (2.8 oz)

R6N-BS8B: 95 g (3.4 oz)

R6N-BS8P: 50 g (1.8 oz)

PERFORMANCE

Insulation resistance: $\geq 100 \text{ M}\Omega$ with 500 V DC

Dielectric strength: 2000 V AC @ 1 minute

(internal power or internal field signal to ground)

STANDARDS & APPROVALS

EU conformity:

EMC Directive

EMI EN 61000-6-4

EMS EN 61000-6-2

RoHS Directive

EN 50581

EXTERNAL VIEW

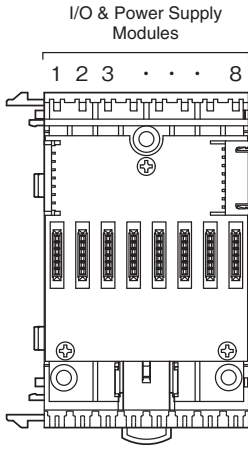
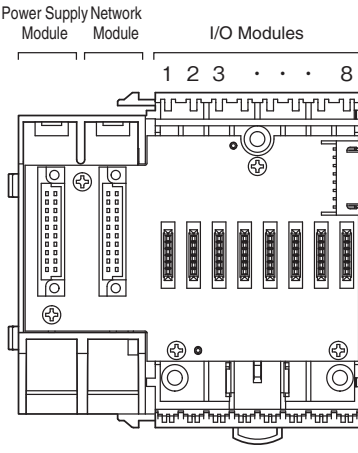
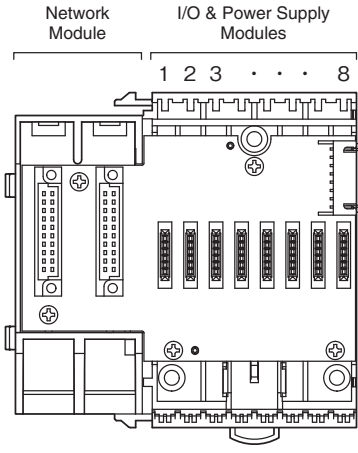
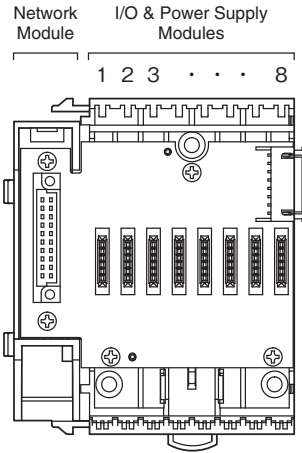
Mount I/O and power supply modules, starting from the left end.
The power supply module could be mounted at any slots, however, installing them at either end is generally recommended.

■ R6N-BS8A

■ R6N-BS8B
• R6-NF1

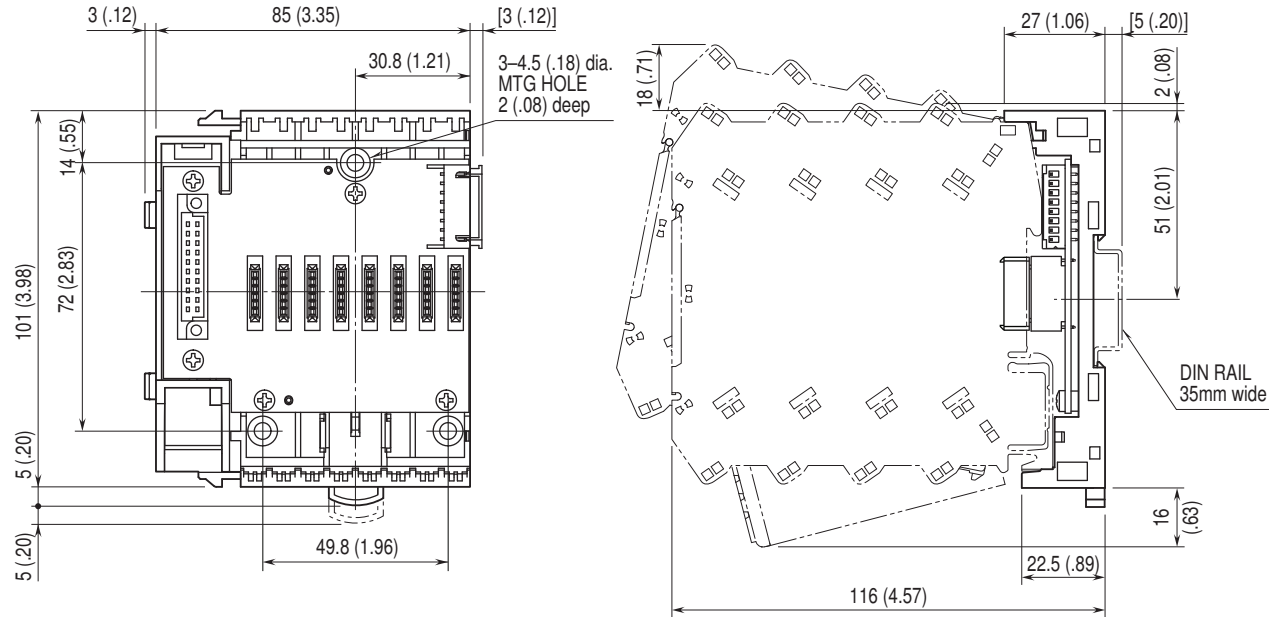
• R6-PSM

■ R6N-BS8P

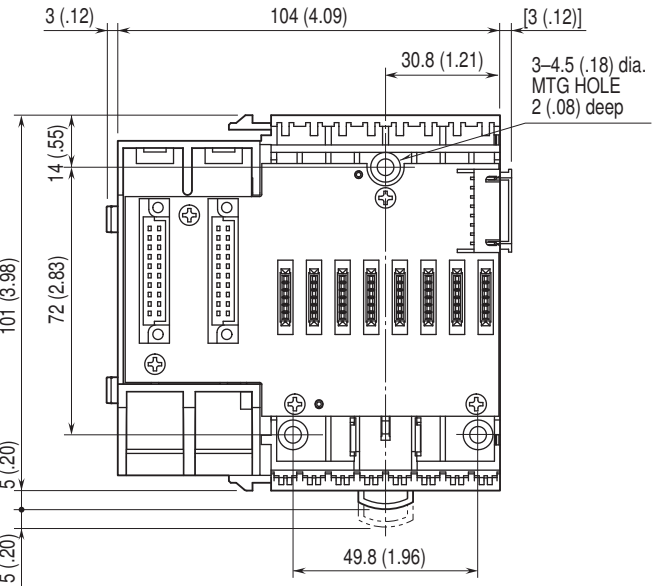


EXTERNAL DIMENSIONS unit: mm (inch)

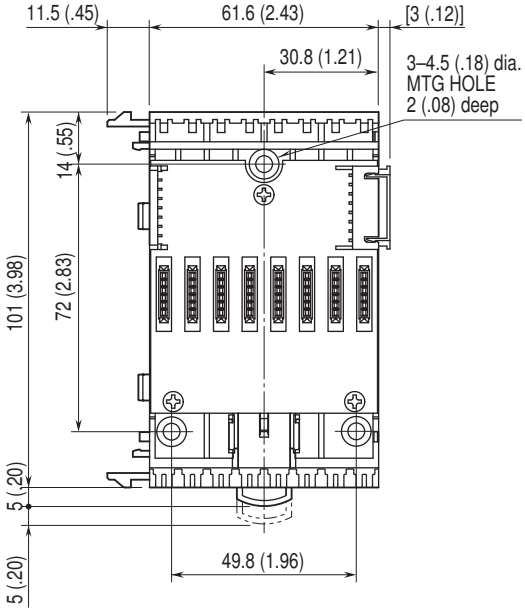
• R6N-BS8A



• R6N-BS8B



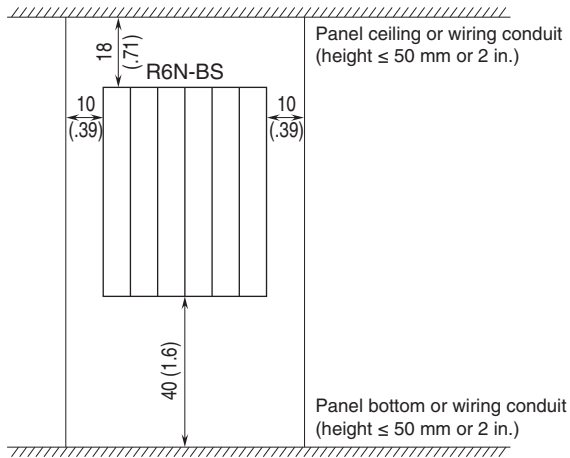
• R6N-BS8P



MOUNTING REQUIREMENTS unit: mm (inch)

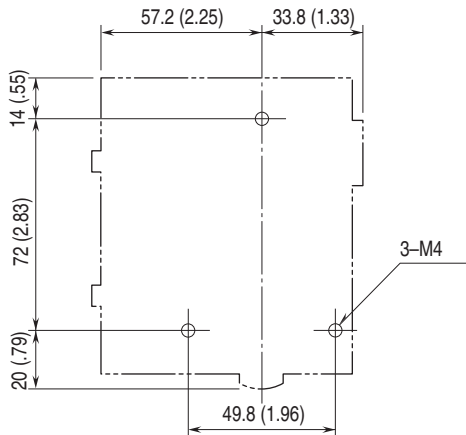
■ MOUNTING DIRECTION

The unit must be mounted on a vertical panel. Mounting in any other angle will cause internal temperature to rise, may shorten the product's life expectation or deteriorate its performance.

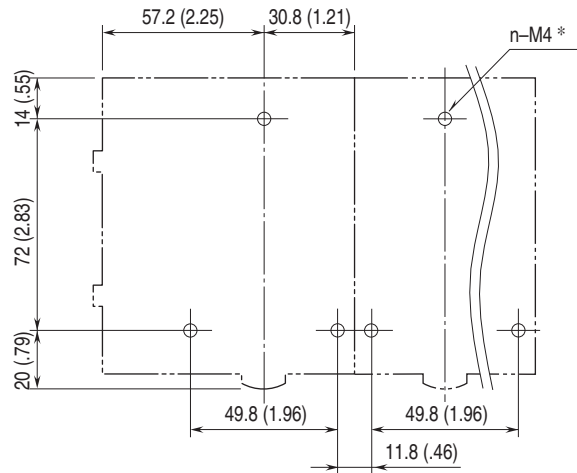


■ SURFACE MOUNTING

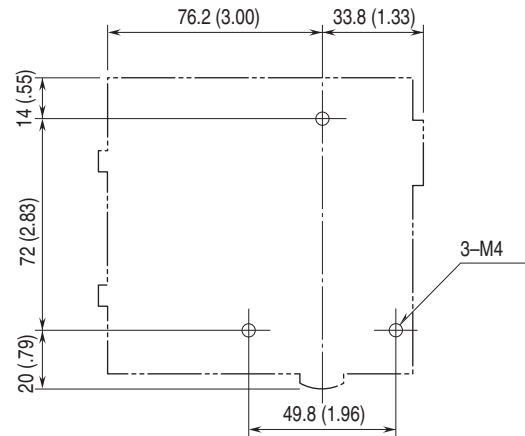
• R6N-BS8A



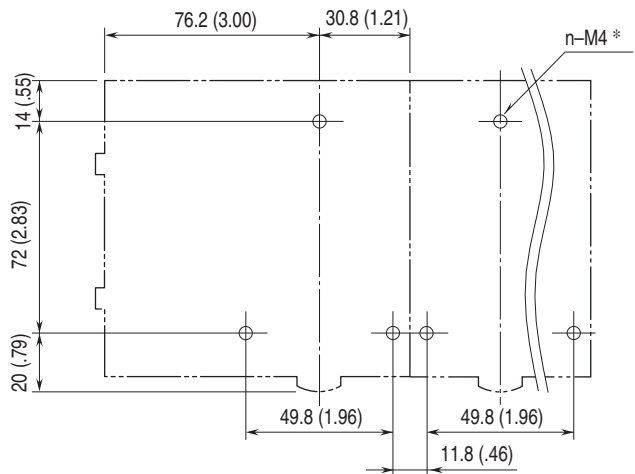
• R6N-BS8A+BS8P



• R6N-BS8B



• R6N-BS8B+BS8P



*Number of bases x 3



Specifications are subject to change without notice.