

XXB Connectivity

NOTE:

1.材料 MATERIAL:

- 1.1 绝缘材料 INSULATOR: HIGH TEMPERATURE PLASTIC UL 94 V-0;
- 1.2 接点 CONTACT: COPPER ALLOY(T=0.15mm)
- 1.3 外壳 SHELL: STEEL(T=0.15mm)

2.电气特性 ELECTRICAL CHARACTERISTICS:

- 2.1 接触电阻 CONTACT RESISTANCE: 40mΩ Max FOR INITIAL, 10mΩ CHANGE AFTER TEST, MEASURE AT 20mV, 100mA.
- 2.2 接触电流额定值 CONTACT CURRENT RATING: 5A Max FOR VBUS/GND PIN, 0.9A Max FOR Other PIN.

2.3 绝缘耐压 DIELECTRIC WITHSTANDING VOLTAGE: 100V AC R.M.S.

- 2.4 INSULATION RESISTANCE 100MΩMin
- 2.5 工作温度 OPERATING TEMPERATURE: -40°C~85°C

3 机械特性 MECHANICAL CHARACTERISTICS:

- 3.1 配合力 MATING FORCE: 5-20 N.
- 3.2 未配对的力量 UNMATED FORCE: 6-20N AFTER TEST
- 3.3 耐久寿命 DURABILITY: 10,000 CYCLES, 500 CYCLES/H

4.电镀 PLATING

接点 CONTACT: CONTACT AREA PLATING Au 1~30u" ,SOLDER AREA PLATING 80~120u" MATTING Sn.

外壳/弹簧/扣 SHELL/SPRING/BUCKLE:20u" Min PLATING OVER ALL

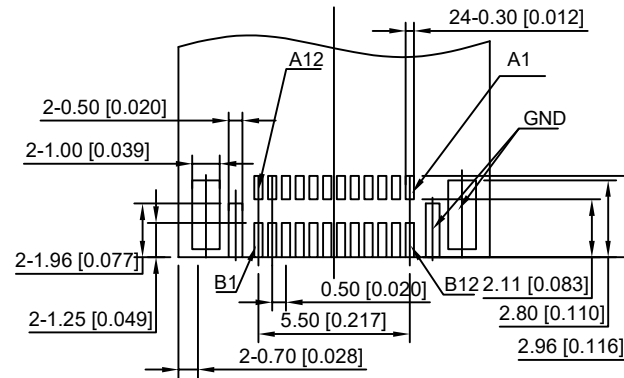
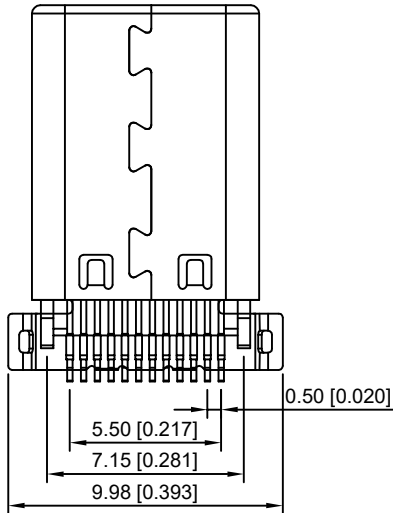
XXB Connectivity

|     |      |      |                  |       |    |    |      |                  |      |      |     |
|-----|------|------|------------------|-------|----|----|------|------------------|------|------|-----|
| A12 | A11  | A10  | A9               | A8    | A7 | A6 | A5   | A4               | A3   | A2   | A1  |
| GND | RX2+ | RX2- | V <sub>BUS</sub> | SBU1  | D- | D+ | CC   | V <sub>BUS</sub> | TX1- | TX1+ | GND |
| GND | TX2+ | TX2- | V <sub>BUS</sub> | Vconn |    |    | SBU2 | V <sub>BUS</sub> | RX1- | RX1+ | GND |
| B1  | B2   | B3   | B4               | B5    | B6 | B7 | B8   | B9               | B10  | B11  | B12 |

XXB Connectivity

U261-24XN-4BS2SS

- 1:AU 1U"
- 2:AU 3U"
- 5:AU 15U"
- 6:AU 30U"
- 1:PB
- 2:PA6T
- 5:PA6T
- 6:LCP



Recommended P.C.B Layout

Tolerance ± 0.05

XXB Connectivity

|              |  |  |  |  |                  |      |                 |  |                        |  |                                      |                           |       |          |
|--------------|--|--|--|--|------------------|------|-----------------|--|------------------------|--|--------------------------------------|---------------------------|-------|----------|
|              |  |  |  |  | ANGLAR           | ±5°  | DSND            |  | DATE                   |  | SCALE: N/A                           | MODEL TYPE:<br>3.1 TYPE C |       |          |
|              |  |  |  |  | L ≤ 4            | ±0.2 | DWN             |  | DATE                   |  | VIEW:                                | PART NO.:                 |       |          |
|              |  |  |  |  | 4 < L ≤ 16       | ±0.3 | CHKD            |  | DATE                   |  | UNIT: mm/in                          | DWG NO.:                  |       |          |
|              |  |  |  |  | 16 < L ≤ 63      | ±0.4 | APPD            |  | DATE                   |  | SIZE: A4                             | U261-24XN-4BS2SS          |       |          |
|              |  |  |  |  | L > 63           | ±0.5 |                 |  |                        |  |                                      | WEIGHT                    | SHEET | REVISION |
| MARK         |  |  |  |  | DESCRIPTION      |      | REVISIONS       |  | UNSPECIFIED TOLERANCES |  | XKB INDUSTRIAL PRECISION CO.,LIMITED |                           |       |          |
| www.xk-dg.cn |  |  |  |  | www.helloxkb.com |      | www.helloxkb.cn |  |                        |  | 1.0g                                 |                           | 1/1   | A0       |