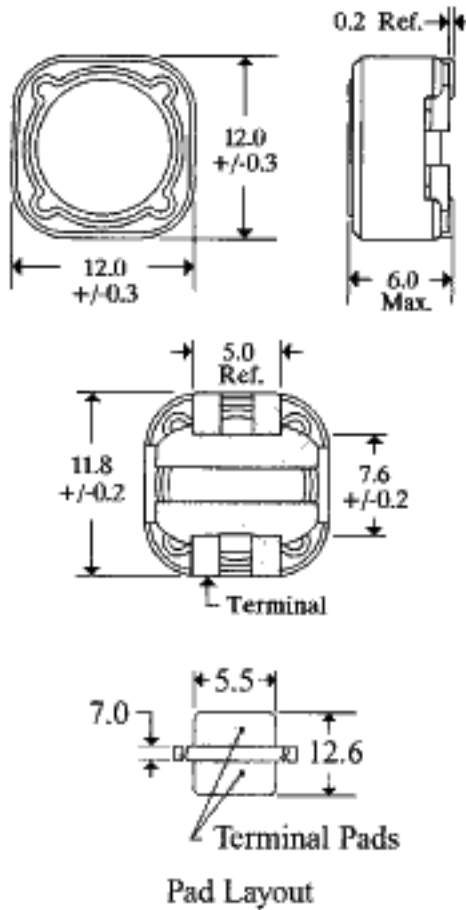


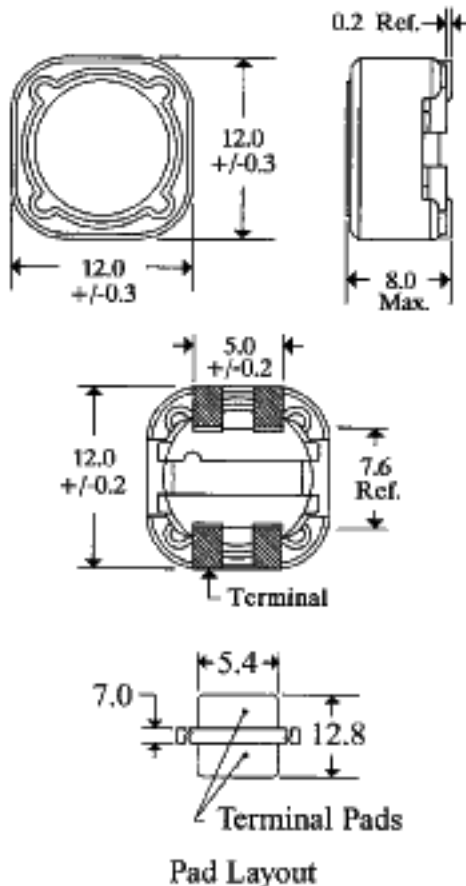
PM125SH Series



* Current where inductance drops 10% or temperature rise is 20°C
Packaged 500/reel (min. order 1 reel)

Miller Number	L±20% μH	Test Freq.	R _{dc} Max. Ohms	I _{dc} Max. Amps*
PM125SH-100M	10	1.0kHz	.023	4.0
PM125SH-120M	12	1.0kHz	.027	3.5
PM125SH-150M	15	1.0kHz	.030	3.3
PM125SH-180M	18	1.0kHz	.034	3.0
PM125SH-220M	22	1.0kHz	.036	2.8
PM125SH-270M	27	1.0kHz	.051	2.3
PM125SH-330M	33	1.0kHz	.057	2.1
PM125SH-390M	39	1.0kHz	.068	2.0
PM125SH-470M	47	1.0kHz	.075	1.8
PM125SH-560M	56	1.0kHz	.11	1.7
PM125SH-680M	68	1.0kHz	.12	1.5
PM125SH-820M	82	1.0kHz	.14	1.4
PM125SH-100M	100	1.0kHz	.16	1.3
PM125SH-121M	120	1.0kHz	.17	1.1
PM125SH-151M	150	1.0kHz	.23	1.0
PM125SH-181M	180	1.0kHz	.29	.90
PM125SH-221M	220	1.0kHz	.40	.80
PM125SH-271M	270	1.0kHz	.46	.75
PM125SH-331M	330	1.0kHz	.51	.68
PM125SH-391M	390	1.0kHz	.69	.65
PM125SH-471M	470	1.0kHz	.77	.58
PM125SH-561M	560	1.0kHz	.86	.54
PM125SH-681M	680	1.0kHz	1.20	.48
PM125SH-821M	820	1.0kHz	1.34	.43
PM125SH-102M	1000	1.0kHz	1.53	.40

PM127SH Series



Miller Number	L +40%/-20% μH	Test Freq.	R _{dc} Max. Ohms	I _{dc} Max. Amps*
PM127SH-1R2N	1.2	100 kHz	.007	9.8
PM127SH-2R4N	2.4	100 kHz	.012	8.0
PM127SH-3R5N	3.5	100 kHz	.014	7.5
PM127SH-4R7N	4.7	100 kHz	.016	6.8
PM127SH-6R1N	6.1	100 kHz	.018	6.6
PM127SH-7R6N	7.6	100 kHz	.020	5.9
	L±20% μH			
PM127SH-100M	10	1 kHz	.022	5.4
PM127SH-120M	12	1 kHz	.024	4.9
PM127SH-150M	15	1 kHz	.027	4.5
PM127SH-180M	18	1 kHz	.039	3.9
PM127SH-220M	22	1 kHz	.043	3.6
PM127SH-270M	27	1 kHz	.046	3.4
PM127SH-330M	33	1 kHz	.063	3.0
PM127SH-390M	39	1 kHz	.073	2.75
PM127SH-470M	47	1 kHz	.100	2.5

* Current where inductance drops 10% or temperature rise is 20°C
Packaged 500/reel (min. order 1 reel)