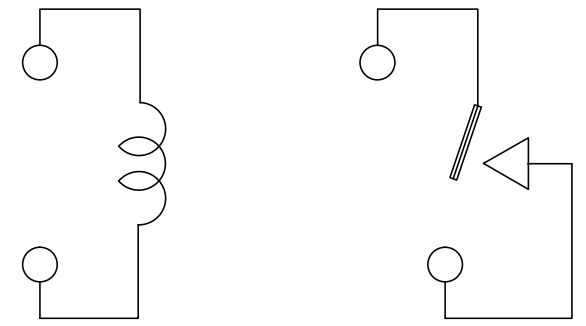
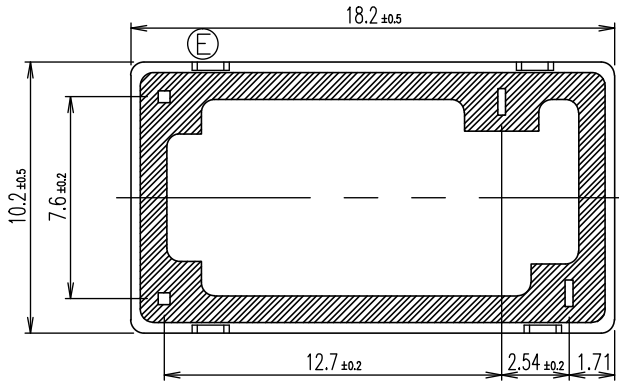
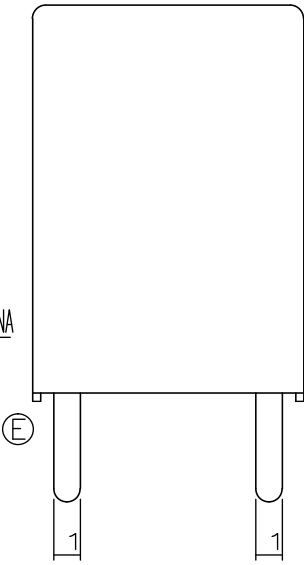
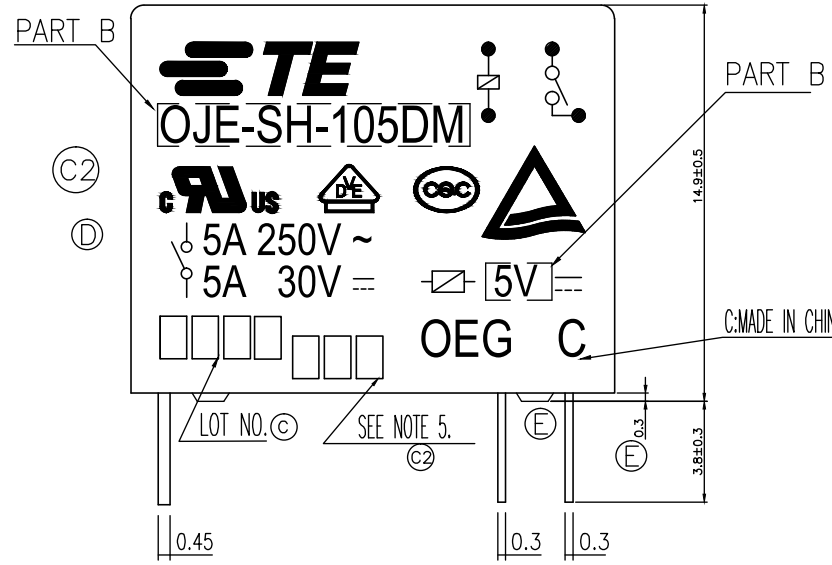


THIS DRAWING IS UNPUBLISHED. RELEASED FOR PUBLICATION
 © COPYRIGHT - By - TE CONNECTIVITY ALL RIGHTS RESERVED.

LOC	DIST	REVISIONS			
P	LTR	DESCRIPTION	DATE	DWN	APVD
HB	-				
	E	REMOVE THE RIB ON THE BASE TO CASE ECO-15-011310	24Nov2015	YS.H	CHL



CONNECTION FIGURE

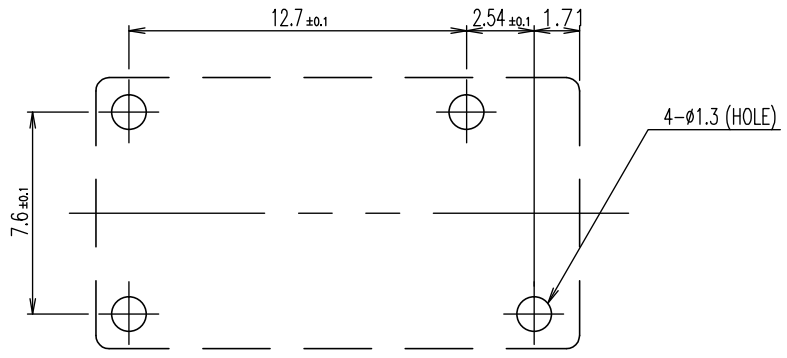


FIGURE FOR PRINTED CIRCUIT BOARD PROCESSING (BOTTOM VIEW)

THIS DRAWING IS A CONTROLLED DOCUMENT.		DWN	H.Sasaki	-	TE TE Connectivity			
DIMENSIONS: mm		CHK	Y.Oikawa	-				
TOLERANCES UNLESS OTHERWISE SPECIFIED:		APVD	A.Nagai	-	NAME			
0 PLC ± -		PRODUCT SPEC	-	-	OJE-SH-DM SPEC CUSTOMER DRAWING			
1 PLC ± -		APPLICATION SPEC	-	-	SIZE	CAGE CODE	DRAWING NO	RESTRICTED TO
2 PLC ± -					A3	00779	1461400	-
3 PLC ± -		WEIGHT	-	-	CUSTOMER DRAWING			SCALE
4 PLC ± -								5:1
ANGLES ± -								SHEET
FINISH								1 OF 2
MATERIAL								REV
								E

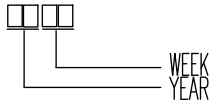
THIS DRAWING IS UNPUBLISHED. RELEASED FOR PUBLICATION - . - .
 © COPYRIGHT - By - TE CONNECTIVITY ALL RIGHTS RESERVED.

LOC	DIST	REVISIONS					
HB	-	P	LTR	DESCRIPTION	DATE	DWN	APVD
		-		SEE SHEET 1	-	-	-

1461400-6	OJE-SH-148DM, 000	107-79010	48V	OJE-SH-148DM	h
1461400-5	OJE-SH-124DM, 000	107-79010	24V	OJE-SH-124DM	g
4-1419144-9	OJE-SH-118DM, 000	107-79010	18V	OJE-SH-118DM	f
1461400-4	OJE-SH-112DM, 000	107-79010	12V	OJE-SH-112DM	e
1461400-3	OJE-SH-109DM, 000	107-79010	9V	OJE-SH-109DM	d
1461400-2	OJE-SH-106DM, 000	107-79010	6V	OJE-SH-106DM	c
1461400-1	OJE-SH-105DM, 000	107-79010	5V	OJE-SH-105DM	b
1461400-7	OJE-SH-103DM, 000	107-79010	3V	OJE-SH-103DM	a
PART NO	DESCRIPTION	PACKAGE SPEC.	PART B	PART A	TYPE

RELAY TYPE

① ② NOTES:
 1.LOT NO. SYSTEM AS FOLLOWING:



② 2.TERMINAL DIMENSION IS BEFORE SOLDER DIP;

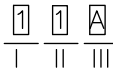
③ 3.FOR THE TIN-PLATING OF THE PINS:

+0.1mm FOR WIDTH,THICKENSS AND DIAMETER.

+0.5mm FOR LENGTH.

④ 4.USED WELDED CONTACT&LASER MARKING.

⑤ 5.ADD LOT NO. SYSTEM AS FOLLOWING;



I, DIGITS FOR DAY OF THE WEEK

1...MONDAY IN THIS WEEK;

2...TUESDAY IN THIS WEEK;

.....

7...SUNDAY IN THIS WEEK

II, DIGITS FOR SHIFT OF THE DAY

1...DAY SHIFT IN THIS DAY;

2...NIGHT SHIFT IN THIS DAY;

III, ONE CHARACTER

DISTINGUISH THE LINE

IDENTITY, SUCH AS:

A,B.....Z

		UV RESIN	SEEL (VENT HOLE)	16
		EPOXY RESIN	SEEL (BASE & BOBBIN)	15
		JUEW	MAGNETIC WIRE	14
94V-0		P.B.T	CASE	13
94V-0		P.B.T	BASE	12
94V-0		P.B.T	BOBBIN	11
	SOLDER DIP	C.P WIRE	COIL TERMINAL	10
94V-0		P.P.S	CARD	9
		Ag ALLOY	MOVABLE CONTACT	8
		Ag	NO.CONTACT	7
		STEEL	HINGE SPRING	6
	SOLDER DIP	PBP	NO.TERMINAL	5
	SOLDER DIP	PBS	MOVABLE SPRING	4
	NIP	STEEL	CORE	3
	NIP	STEEL	ARMATURE	2
	NIP	STEEL	YOKE	1
INCOMBUSTIBILITY	TREATMENT	MATERIAL	DESCRIPTION	ITEM

THIS DRAWING IS A CONTROLLED DOCUMENT.		DWN	H.Sasaki	-
DIMENSIONS: mm		CHK	Y.Oikawa	-
TOLERANCES UNLESS OTHERWISE SPECIFIED:		APVD	A.Nagai	-
	0 PLC	±	-	
	1 PLC	±	-	
	2 PLC	±	-	
	3 PLC	±	-	
4 PLC	±	-		
ANGLES	±	-		
MATERIAL	FINISH	PRODUCT SPEC	-	
-	-	APPLICATION SPEC	-	
		WEIGHT	-	
		CUSTOMER DRAWING		

		TE Connectivity	
		NAME	
OJE-SH-DM SPEC CUSTOMER DRAWING		-	
SIZE	CAGE CODE	DRAWING NO	RESTRICTED TO
A3	00779	①= 1461400	-
SCALE 5:1		SHEET 2 OF 2	
		REV E	