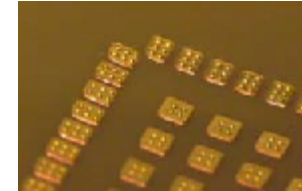


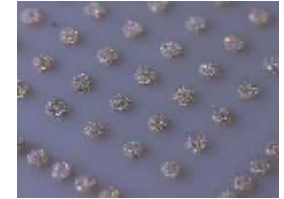
SMP QFN SOCKET - direct mount, solderless

Features

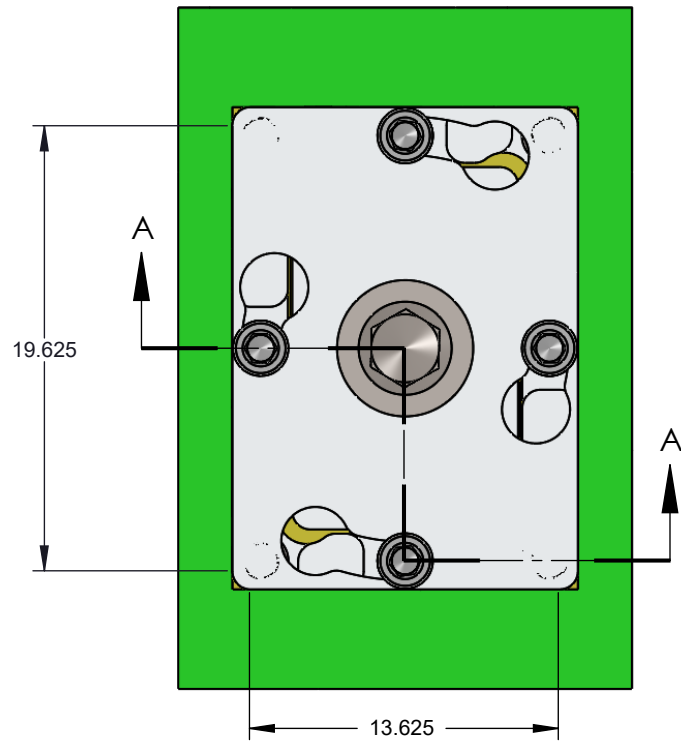
- Directly mounts to target PCB (needs tooling holes) with hardware.
- Wide temperature range (-55C to +150C).
- Current capability is 4A per pin at 14C temperature rise.
- Over 40GHz bandwidth @-1dB for edge pins
- Low and stable contact resistance for reliable production yield.
- Self inductance under 0.21nH.
- Easily removable swivel socket lid



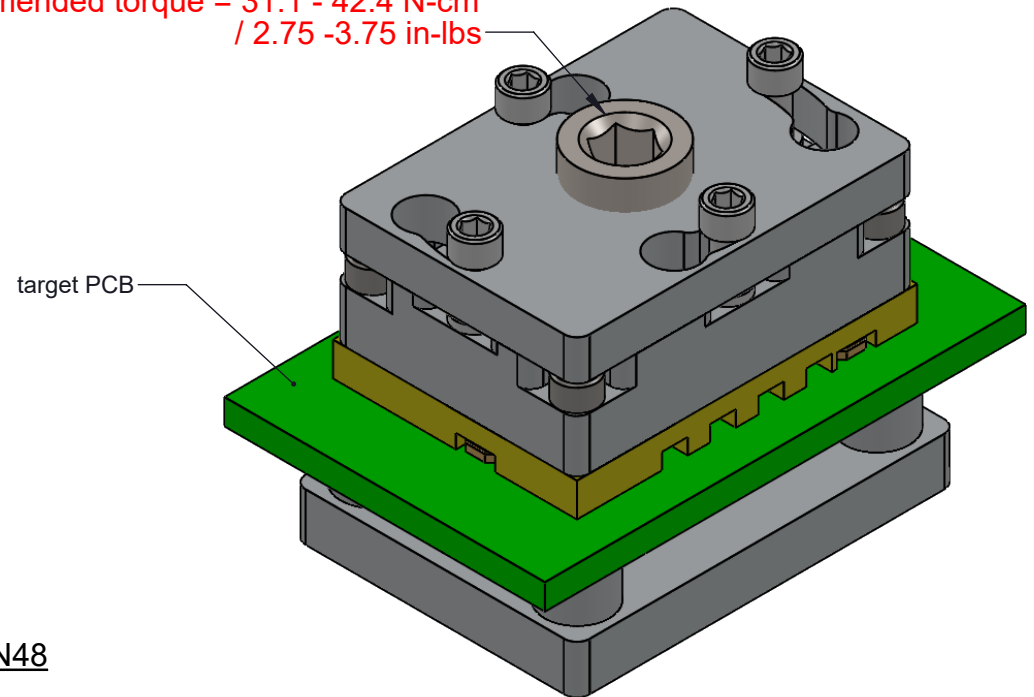
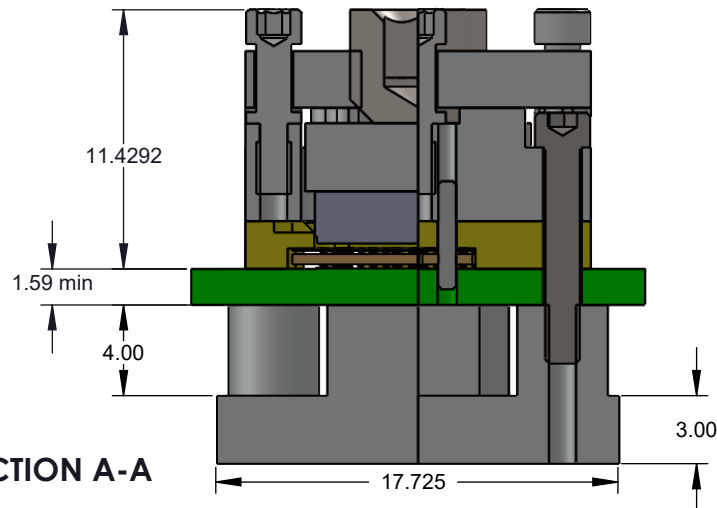
Silver ball matrix protective layer



Silver ball matrix elastomer



Recommended torque = 31.1 - 42.4 N-cm
/ 2.75 -3.75 in-lbs



Description: SMP Socket for 9.1x14mm 0.56/0.8mm pitch QFN48

Primary dimension units are millimeters, Secondary dimension units are [inches], Weight is in grams.

Tolerances: Hole diameters $\pm 0.03\text{mm}$ [$\pm 0.001"$], Pitches (from true position) $\pm 0.025\text{mm}$ [$\pm 0.001"$], substrate thickness tolerance $\pm 10\%$, all other tolerances $\pm 0.13\text{mm}$ [$\pm 0.005"$] unless stated otherwise. Materials and specifications are subject to change without notice.

SMP-QFN-8013 Drawing



Ironwood Electronics, Inc.
Tele: (800) 404-0204
www.ironwoodelectronics.com

Material: N/A
Finish: N/A
Weight: 14.00

STATUS: Released

ENG: S. Huang

FILE: SMP-QFN-8013 Dwg

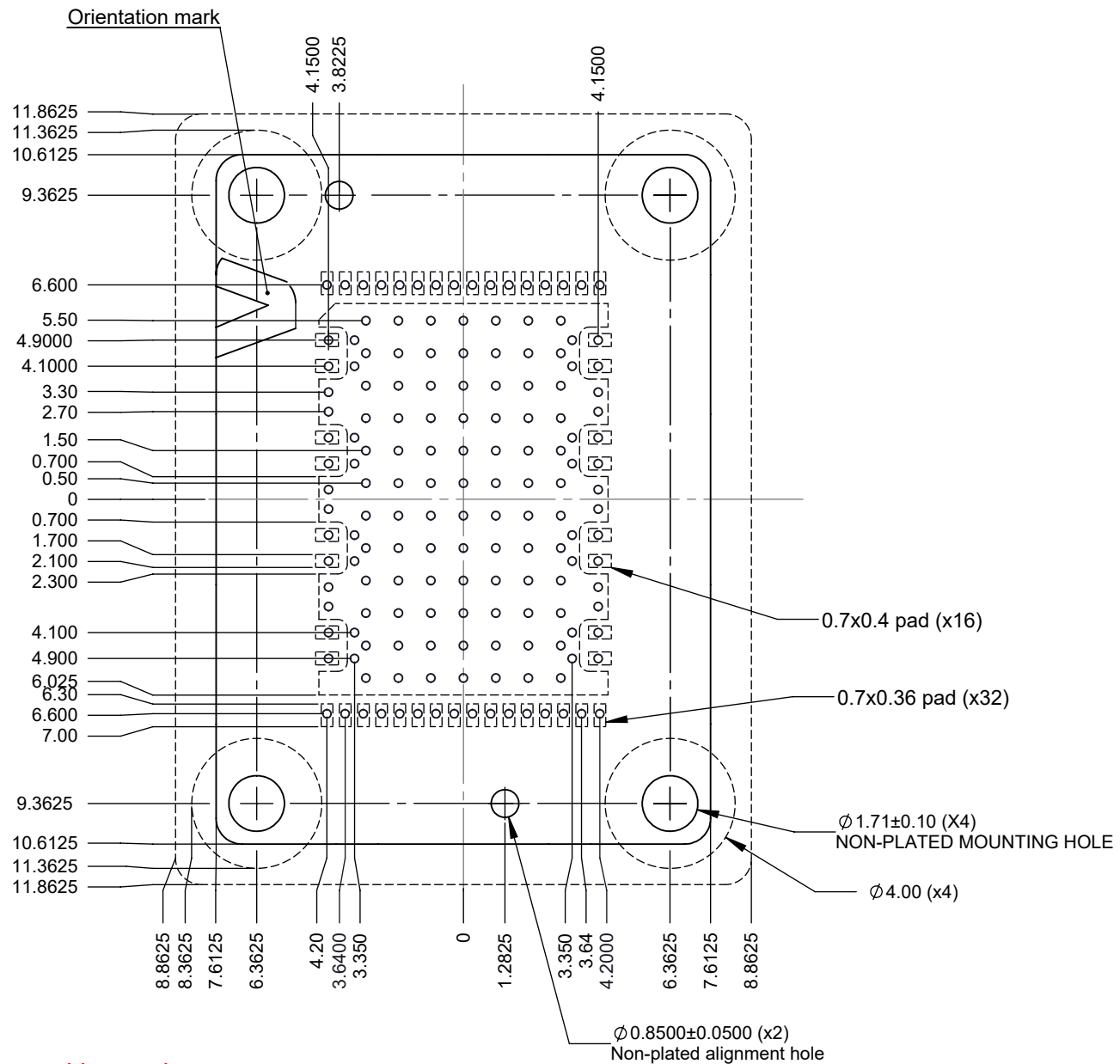
SHEET: 1 OF 6

DRAWN BY: S. Huang

DATE: 10/13/2015

REV. A

SCALE: 3:1




Target PCB Recommendations

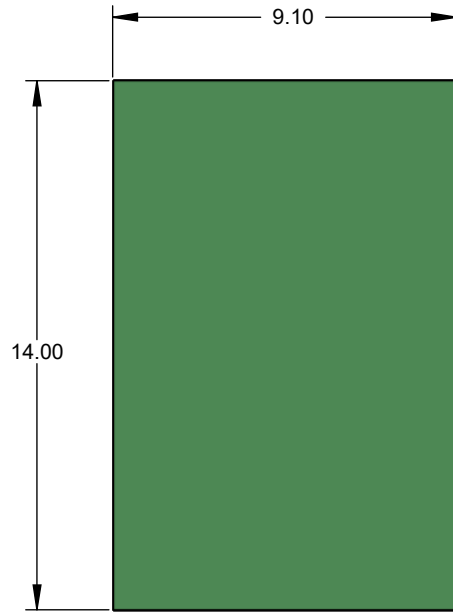
- Total thickness: 1.6mm min.
- Plating: Gold or Solder finish
- PCB Pad height: same or higher than solder mask.

Description: Recommended PCB layout

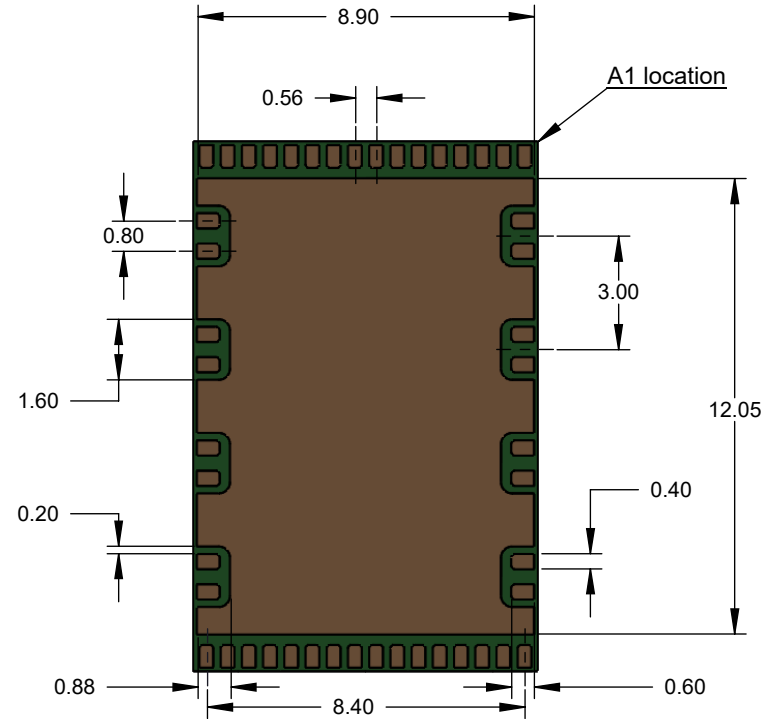
Primary dimension units are millimeters, Secondary dimension units are [inches], Weight is in grams.

Tolerances: Hole diameters $\pm 0.03\text{mm}$ [$\pm 0.001"$], Pitches (from true position) $\pm 0.025\text{mm}$ [$\pm 0.001"$], substrate thickness tolerance $\pm 10\%$, all other tolerances $\pm 0.13\text{mm}$ [$\pm 0.005"$] unless stated otherwise. Materials and specifications are subject to change without notice.

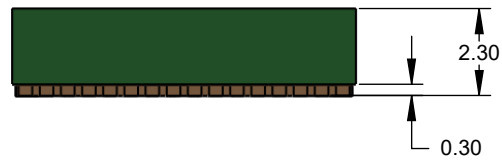
| | | | | |
|---|---|---|---|----------------------|
|  SMP-QFN-8013 Drawing Ironwood Electronics, Inc. Tele: (800) 404-0204 www.ironwoodelectronics.com | Material: N/A Finish: N/A Weight: 14.00 | STATUS: Released ENG: S. Huang FILE: SMP-QFN-8013 Dwg | SHEET: 2 OF 6 DRAWN BY: S. Huang DATE: 10/13/2015 | REV. A SCALE: 5:1 |
| | | | | |



TOP VIEW



BOTTOM VIEW




SIDE VIEW

1. Dimensions are in millimeters.
2. Pad Tolerance: +/- 0.05mm.
Overall Package Dimension: +/- 0.1mm.

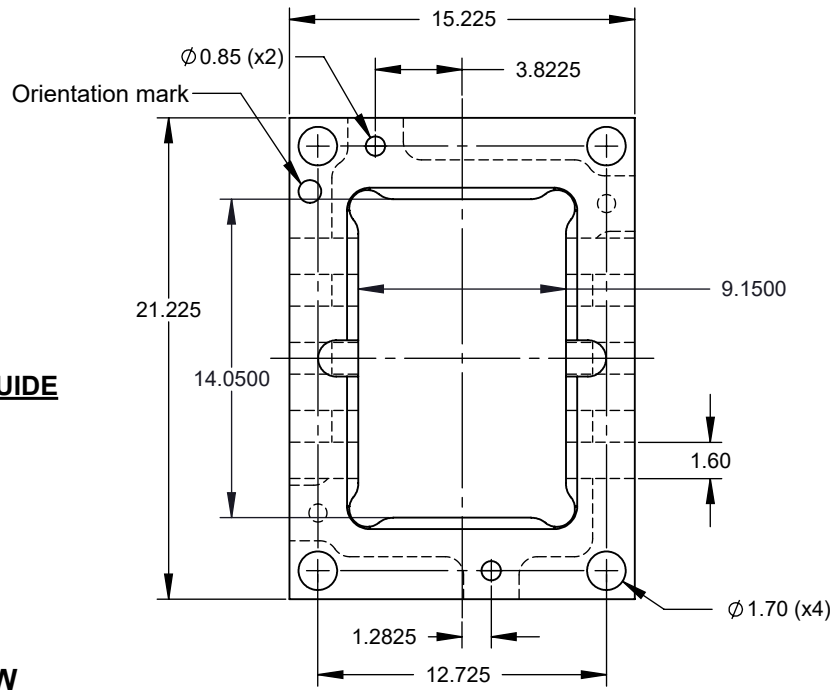
Description: QFN

Primary dimension units are millimeters, Secondary dimension units are [inches], Weight is in grams.

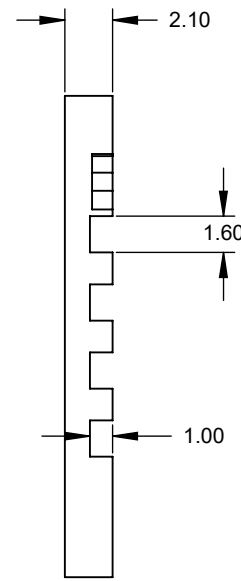
Tolerances: Hole diameters $\pm 0.03\text{mm}$ [$\pm 0.001''$], Pitches (from true position) $\pm 0.025\text{mm}$ [$\pm 0.001''$], substrate thickness tolerance $\pm 10\%$, all other tolerances $\pm 0.13\text{mm}$ [$\pm 0.005''$] unless stated otherwise. Materials and specifications are subject to change without notice.

| | | | | |
|---|---|---|---|----------------------|
|  SMP-QFN-8013 Drawing Ironwood Electronics, Inc. Tele: (800) 404-0204 www.ironwoodelectronics.com | Material: N/A Finish: N/A Weight: 14.00 | STATUS: Released ENG: S. Huang FILE: SMP-QFN-8013 Dwg | SHEET: 3 OF 6 DRAWN BY: S. Huang DATE: 10/13/2015 | REV. A SCALE: 5:1 |
| | | | | |

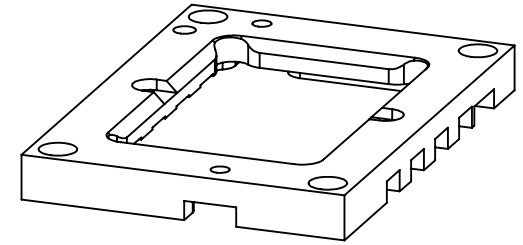
IC GUIDE



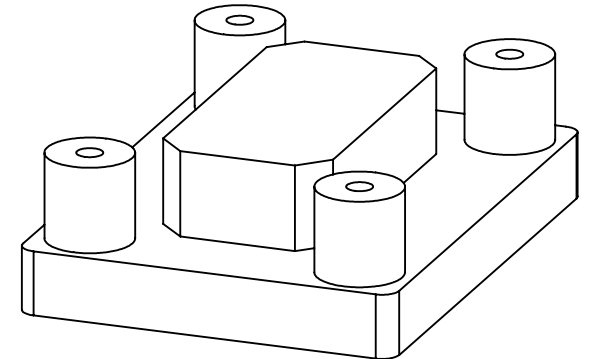
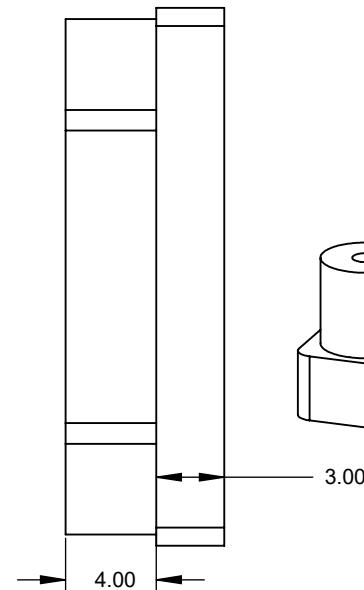
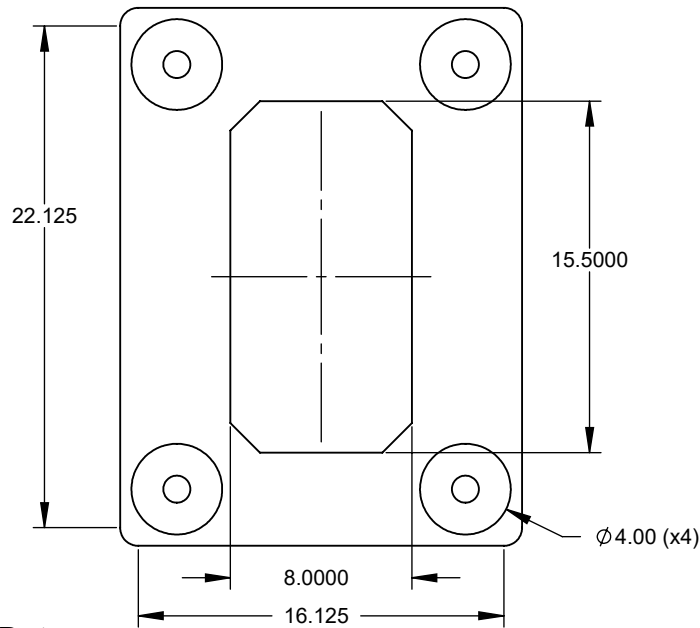
TOP VIEW



SIDE VIEW




BACKING PLATE

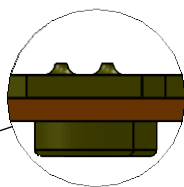
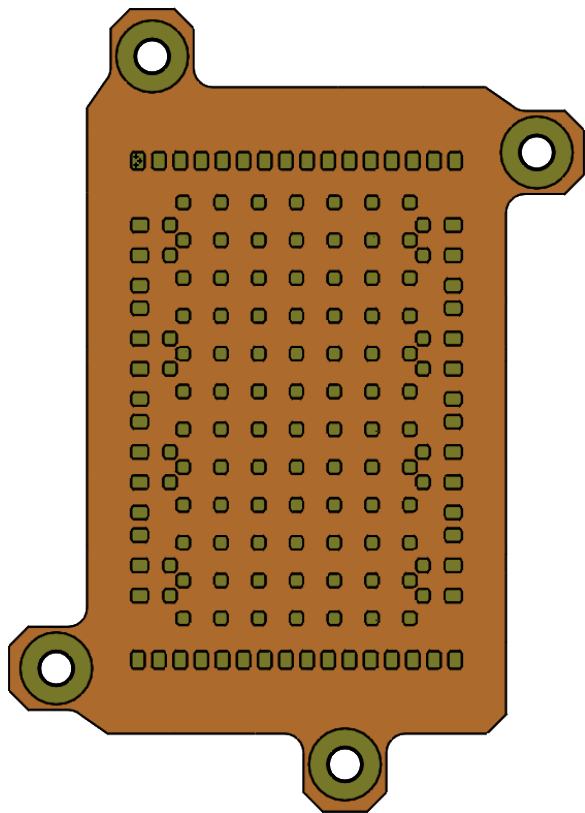


Description: Comp Det

Primary dimension units are millimeters, Secondary dimension units are [inches], Weight is in grams.

Tolerances: Hole diameters $\pm 0.03\text{mm}$ [± 0.001 "], Pitches (from true position) $\pm 0.025\text{mm}$ [± 0.001 "], substrate thickness tolerance $\pm 10\%$, all other tolerances $\pm 0.13\text{mm}$ [± 0.005 "] unless stated otherwise. Materials and specifications are subject to change without notice.

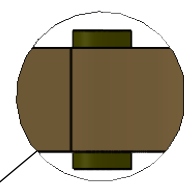
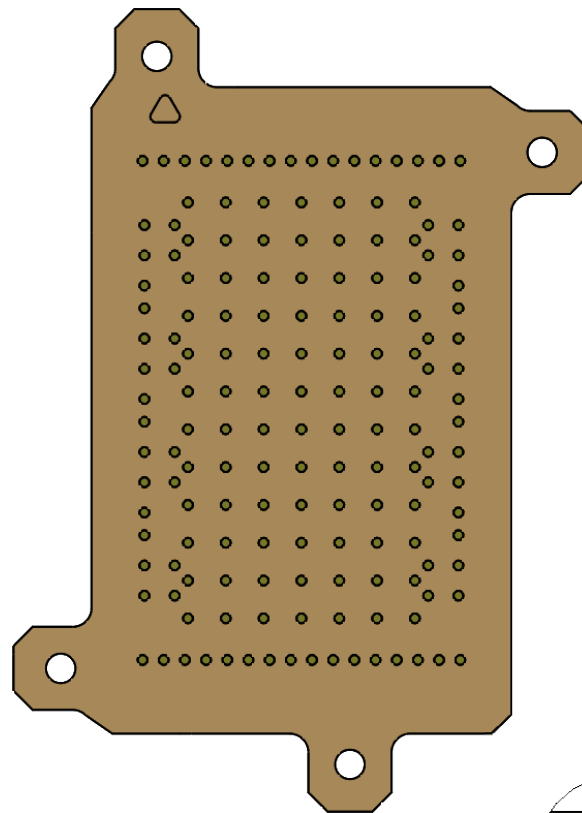
| | | | | |
|---|--|--|--|------------------------------|
|  <p>SMP-QFN-8013 Drawing Ironwood Electronics, Inc. Tele: (800) 404-0204 www.ironwoodelectronics.com</p> | <p>Material: N/A Finish: N/A Weight: 14.00</p> | <p>STATUS: Released ENG: S. Huang FILE: SMP-QFN-8013 Dwg</p> | <p>SHEET: 4 OF 6 DRAWN BY: S. Huang DATE: 10/13/2015</p> | <p>REV. A SCALE: 3:1</p> |
| | | | | |



DETAIL K
SCALE 60 : 1



SMP protective layer



DETAIL L
SCALE 30 : 1




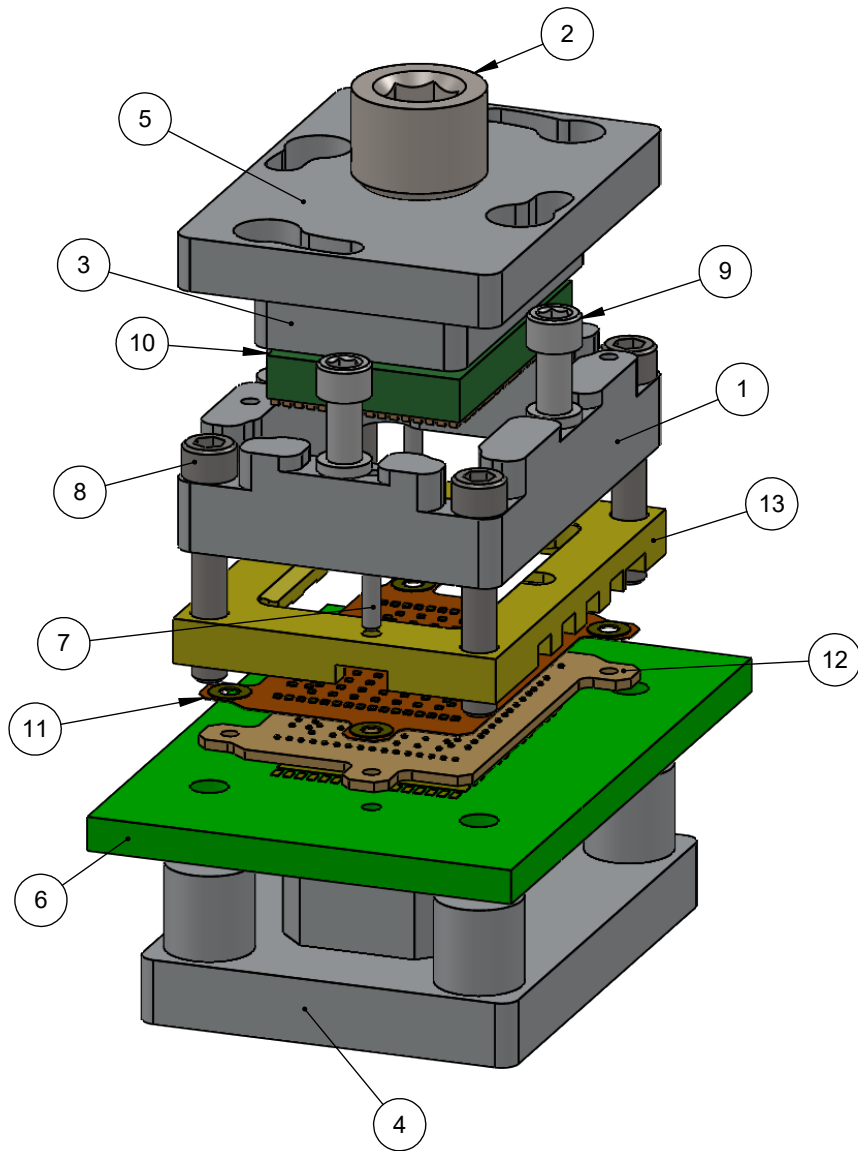
SMP SM layer

Description: SMP/SM interposer detail

Primary dimension units are millimeters, Secondary dimension units are [inches], Weight is in grams.

Tolerances: Hole diameters $\pm 0.0254\text{mm}$ [$\pm 0.001"$], Pitches (from true position) $\pm 0.0762\text{mm}$ [$\pm 0.003"$], substrate thickness tolerance $\pm 10\%$, all other tolerances $\pm 0.127\text{mm}$ [$\pm 0.005"$] unless stated otherwise. Materials and specifications are subject to change without notice.

| | | | | | |
|--|--|---|---|---|----------------------|
|  | SMP-QFN-8013 Drawing ©2015 Ironwood Electronics, Inc. Tele: (800) 404-0204 www.ironwoodelectronics.com | Material: N/A Finish: N/A Weight: 14.00 | STATUS: Released ENG: S. Huang FILE: SMP-QFN-8013 Dwg | SHEET: 5 OF 6 DRAWN BY: S. Huang DATE: 10/13/2015 | REV. A SCALE: 5:1 |
|--|--|---|---|---|----------------------|




| ITEM NO. | DESCRIPTION | Material |
|----------|---|------------------------|
| 1 | Socket Base 10x16mm IC | 7075-T6 Aluminum Alloy |
| 2 | Compression Screw M6x1 | Stainless Steel (18-8) |
| 3 | Compression Plate 10x16mm IC | 7075-T6 Aluminum Alloy |
| 4 | Backing Plate with 4 post and rectangular center pad | 7075-T6 Alumium Alloy |
| 5 | Socket Lid Swivel 10X16mm IC | 7075-T6 Aluminum Alloy |
| 6 | Customer's target PCB | FR4 High temp |
| 7 | Dowel Pin, 1/32" x 3/16", SS | Chrome Stainless Steel |
| 8 | #0-80 X .375 LG, SOC HD CAP SCREW, ALLOY STL, BLK OXIDE | Alloy Steel |
| 9 | #0-80 Shoulder Screw, 2.29mm thread length | Stainless Steel (303) |
| 10 | Customer's IC 9.1x14mm, 0.56/0.8mm pitch QFN48 | FR4 High temp |
| 11 | SMP Protective layer for 9.1x14mm 0.56/0.8mm QFN48 | SMP |
| 12 | SMP SM interposer for 9.1x14mm 0.56/0.8mm QFN48 | SM elastomer |
| 13 | SMP IC Guide for 9.1x14mm IC | Torlon 4203 |

| Rev | Date | Initials | Description |
|-----|----------|----------|-------------|
| A | 10/13/15 | SH | Original |
| | | | |
| | | | |
| | | | |

Description: Skt Det

Primary dimension units are millimeters, Secondary dimension units are [inches], Weight is in grams.

Tolerances: Hole diameters $\pm 0.03\text{mm}$ [$\pm 0.001"$], Pitches (from true position) $\pm 0.025\text{mm}$ [$\pm 0.001"$], substrate thickness tolerance $\pm 10\%$, all other tolerances $\pm 0.13\text{mm}$ [$\pm 0.005"$] unless stated otherwise. Materials and specifications are subject to change without notice.

| | | | | |
|---|---|---|---|----------------------|
|  SMP-QFN-8013 Drawing Ironwood Electronics, Inc. Tele: (800) 404-0204 www.ironwoodelectronics.com | Material: N/A Finish: N/A Weight: 14.00 | STATUS: Released ENG: S. Huang FILE: SMP-QFN-8013 Dwg | SHEET: 6 OF 6 DRAWN BY: S. Huang DATE: 10/13/2015 | REV. A SCALE: 3:1 |
| | | | | |