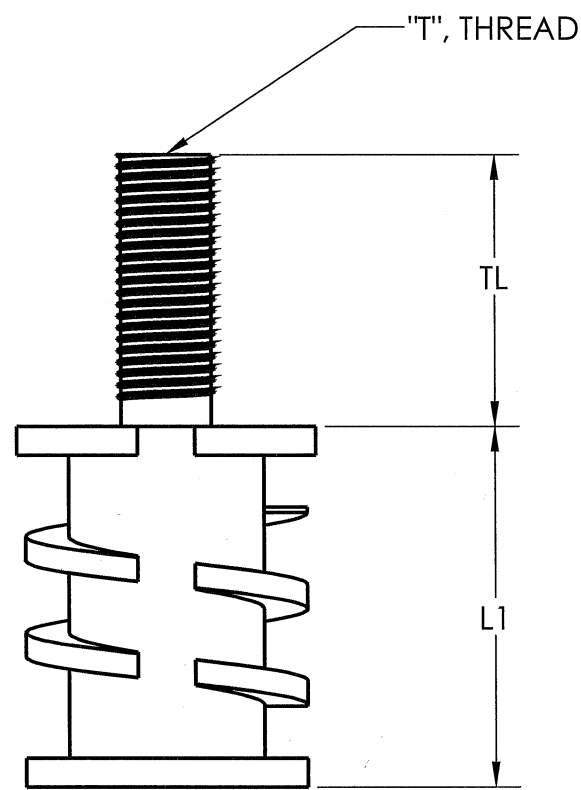


D1
(TOP FLANGE)



CODE	"L1", LENGTH
8	.500
9	.562
10	.625
11	.687
12	.750
13	.812
14	.875
15	.937
16	1.000
17	1.062
18	1.125
19	1.187
20	1.250

CODE	"TL", THREAD LENGTH
6TL	.375
7TL	.437
8TL	.500
9TL	.562
10TL	.625
11TL	.687
12TL	.750
13TL	.812
14TL	.875
15TL	.937
16TL	1.000
17TL	1.062
18TL	1.125
19TL	1.187
20TL	1.250

AMERICAN NATIONAL STANDARD			
CODE	"T", THREAD	MAX THREAD LENGTH	D1
0832	.164 - 32 UNJC - 3A	.375	.490
1024	.190 - 24 UNJC - 2A	.450	.520
1032	.190 - 32 UNJF - 3A	.450	.520
420	.250 - 20 UNJC - 2A	1.187	.583
428	.250 - 28 UNJF - 3A	1.187	.583
518	.312 - 18 UNJC - 2A	1.375	.646
524	.312 - 24 UNJF - 3A	1.375	.646
616	.375 - 16 UNJC - 2A	1.500	.708
624	.375 - 24 UNJF - 3A	1.500	.708
714	.437 - 14 UNJC - 2A	1.625	.771
720	.437 - 20 UNJF - 3A	1.625	.771
813	.500 - 13 UNJC - 2A	1.750	.833
820	.500 - 20 UNJF - 3A	1.750	.833

CODE	MATERIAL	FINISH
C	CARBON STEEL	CAD PLATE
SS	STAINLESS STEEL	NO FINISH
SP	STAINLESS STEEL	PASSIVATE

METRIC			
CODE	"T", THREAD	MAX THREAD LENGTH	D1
M4	M4 X 0.7 - 6G	.375	.490
M5	M5 X 0.8 - 6G	.450	.520
M6	M6 X 1.0 - 6G	1.187	.583
M8X1	M8 X 1.0 - 6G	1.375	.646
M8X1.25	M8 X 1.25 - 6G	1.375	.646
M10X1.25	M10 X 1.25 - 6G	1.500	.708
M10X1.50	M10 X 1.50 - 6G	1.500	.708
M12X1.5	M12 X 1.50 - 6G	1.750	.833
M12X1.75	M12 X 1.75 - 6G	1.750	.833

EXAMPLE: PART NUMBERING SYSTEM

250 - 428 - 16 - 14TL - SP

SERIES PREFIX
 THREAD CODE
 "L1", BODY LENGTH
 "TL", THREAD LENGTH

MATERIAL:
 C = CARBON STEEL (CAD PLATE)
 SS = STAINLESS STEEL (PLAIN FINISH)
 SP = STAINLESS STEEL (PASSIVATE)



ISOMETRIC VIEW
REF. ONLY

- 3. CUSTOM SIZES AVAILABLE UPON REQUEST.
- 2. TOLERANCES: .XXX = ±.010
- 1. ONE PIECE MACHINED PART.

NOTES

PROPRIETARY AND CONFIDENTIAL
 THE INFORMATION CONTAINED IN THIS DRAWING IS THE SOLE PROPERTY OF WITTEN COMPANY INC. ANY REPRODUCTION IN PART OR AS A WHOLE WITHOUT THE WRITTEN PERMISSION OF WITTEN COMPANY INC. IS PROHIBITED.

CAGE: OJHK5	NAME	DATE
DRAWN	J.HERRIMAN	3/30/2016
CHECKED		
ENG APP		

COMMENTS:
 SOLIDWORKS STANDARD 2009 SP4.1
 THIRD ANGLE PROJECTION

TECH DATA SHEET



TITLE: HEAVY DUTY, POTTED STUD		
SIZE B	DWG. NO. 250 SERIES	REV -
SCALE: NONE		SHEET 1 OF 1