

**PLEASE CHECK WWW.MOLEX.COM FOR LATEST PART INFORMATION**

**Part Number:** [0753416476](#)  
**Status:** **Active**  
**Overview:** [gbx\\_backplane\\_connector\\_system](#)  
**Description:** 1.85mm by 1.85mm (.073 by .073") Pitch 4-Pair GbX® Backplane Connector System, Power Module, 12 Circuits, 1.27µm (50µ") Gold (Au)

**Documents:**

[Drawing \(PDF\)](#) [RoHS Certificate of Compliance \(PDF\)](#)  
[Product Specification PS-75221-999 \(PDF\)](#)

**Agency Certification**

UL E29179

**General**

Product Family Backplane Connectors  
 Series [75341](#)  
 Application Backplane  
 Application Tooling Documents [Tooling Manual](http://www.molex.com/pdm_docs/ats/TM-622022099.pdf)  
 Comments Blade Length A 6.00mm, B 4.50mm, C 7.50mm, D 6.00mm  
 Component Type Power Header  
 Overview [gbx\\_backplane\\_connector\\_system](#)  
 Product Name GbX®  
 Style N/A

**Physical**

Circuits (Loaded) 8  
 Circuits (maximum) 8  
 Circuits Detail Rows A, B, C, & D  
 Color - Resin Gray  
 Durability (mating cycles max) 200  
 First Mate / Last Break Yes  
 Flammability 94V-0  
 Guide to Mating Part No  
 Keying to Mating Part None  
 Material - Plating Mating Gold  
 Material - Plating Termination Tin-Lead  
 Material - Resin High Temperature Thermoplastic  
 Number of Columns N/A  
 Number of Pairs 4  
 Number of Rows 4  
 Orientation Vertical  
 PC Tail Length (in) 0.089 In  
 PC Tail Length (mm) 2.28 mm  
 PCB Locator Yes  
 PCB Retention Yes  
 PCB Thickness Recommended (in) 0.063 In  
 PCB Thickness Recommended (mm) 1.60 mm  
 Packaging Type Tube  
 Pitch - Mating Interface (in) 0.073 In  
 Pitch - Mating Interface (mm) 1.85 mm  
 Pitch - Term. Interface (in) 0.102 In  
 Pitch - Term. Interface (mm) 2.60 mm  
 Plating min: Mating (µin) 50  
 Plating min: Mating (µm) 1.25

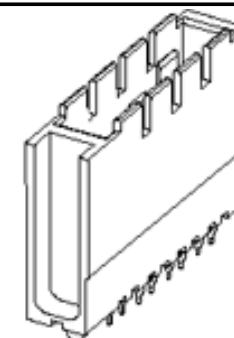


image - Reference only

Series

**EU RoHS**

**RoHS Compliant by Exemption**

**REACH SVHC**

Not Reviewed

**Halogen-Free**

Status

**Not Reviewed**

**China RoHS**



**Need more information on product environmental compliance?**

Email [productcompliance@molex.com](mailto:productcompliance@molex.com)  
 For a multiple part number RoHS Certificate of Compliance, [click here](#)

Please visit the [Contact Us](#) section for any non-product compliance questions.

**Search Parts in this Series**

[75341Series](#)

**Mates With**

[75292 GbX® Daughtercard](#)

**Application Tooling | FAQ**

*Tooling specifications and manuals are found by selecting the products below. Crimp Height Specifications are then contained in the Application Tooling Specification document.*

**Global**

| Description                                      | Product #                  |
|--|----------------------------|
| Insertion Module, GbX® 4 pair 1- Up Power Module | <a href="#">0622022005</a> |
| GbX® Single Pin Repair Tool                      | <a href="#">0622022090</a> |
| GbX® Shield Removal Tool                         | <a href="#">0622022100</a> |

|                                      |                              |
|--------------------------------------|------------------------------|
| Plating min: Termination ( $\mu$ in) | 30                           |
| Plating min: Termination ( $\mu$ m)  | 0.75                         |
| Polarized to PCB                     | Yes                          |
| Stackable                            | No                           |
| Surface Mount Compatible (SMC)       | Yes                          |
| Temperature Range - Operating        | -55°C to +105°C              |
| Termination Interface: Style         | Through Hole - Compliant Pin |

### **Electrical**

|                               |                  |
|-------------------------------|------------------|
| Current - Maximum per Contact | 6A               |
| Data Rate                     | 8.0 Gbps         |
| Real Signals (per 25mm)       | 0                |
| Shielded                      | No               |
| Voltage - Maximum             | 120V AC (RMS)/DC |

### **Material Info**

#### **Reference - Drawing Numbers**

|                       |              |
|-----------------------|--------------|
| Product Specification | PS-75221-999 |
| Sales Drawing         | SD-75341-001 |

GbX is a registered trademark of Amphenol Corporation.

This document was generated on 05/13/2010

**PLEASE CHECK [WWW.MOLEX.COM](http://WWW.MOLEX.COM) FOR LATEST PART INFORMATION**

10 9 8 7 6 5 4 3 2 1



NOTES:

1. MATERIALS: HOUSING - LIQUID CRYSTAL POLYMER (LCP), UL 94V-0, GRAY; CONTACT - COPPER ALLOY.
2. FINISH: SELECT GOLD IN CONTACT AREA, 50 μ" THICK; TIN/LEAD OR MATTE TIN IN COMPLIANT AREA.
3. PACKAGING PER PK-70873-562.
4. CONTACTS IN EACH ROW HAVE THE SAME WIPE LENGTH.
5. BACKPLANE ASSEMBLY MATES WITH DAUGHTERCARD POWER MODULE 75292-4\*\*\*.
6. PART SHOWN IS 75343-4467 (SHEET 4).
7. SEE OTHER SHEETS FOR ADDITIONAL NOTES.
8. WHEN INSERTING OPEN SIGNAL MODULES NEXT TO COLUMN 1 SIDE OF POWER MODULES, SIGNAL MODULES MUST BE INSERTED BEFORE THE POWERS TO AVOID INTERFERENCE BETWEEN THE TWO CONNECTOR HOUSINGS.
9. THESE PARTS CONFORM TO MOLEX PRODUCT SPECIFICATION PS-75221-999.
10. THESE PARTS CONFORM TO MOLEX COSMETIC SPECIFICATION PS-45499-002 CLASS B.



1-UP ASSEMBLY PART NUMBER  
 7 5 3 4 1 - A B C D  
 - TIN/LEAD PLATED PRODUCT -  
 FOR EACH ROW LOCATION A, B, C, D:  
 0 = VOID  
 4 = 4.5 mm WIPE  
 6 = 6.0 mm WIPE  
 7 = 7.5 mm WIPE  
 - LEAD-FREE PLATED PRODUCT -  
 FOR EACH ROW LOCATION A, B, C, D:  
 0 = VOID  
 2 = 4.5 mm WIPE  
 3 = 6.0 mm WIPE  
 5 = 7.5 mm WIPE

| ADDED NOTES 9 & 10<br>EC NO: UCP2008-0426<br>DRAWN: C STEWART 2007/08/29<br>CHKD: 2007/08/30<br>APPR: J B INGHAM 2007/08/31 | DESCRIPTION<br>REV C | QUALITY SYMBOLS   | GENERAL TOLERANCES (UNLESS SPECIFIED)   | DIMENSION STYLE | SCALE | DESIGN UNITS        | THIRD ANGLE PROJECTION |       |       |            |             |       |            |            |              |              |           |              |               |  |  |         |     |        |  |
|---|----------------------|---|---|-----------------|-------|---------------------|------------------------|-------|-------|------------|-------------|-------|------------|------------|--------------|--------------|-----------|--------------|---------------|--|--|---------|-----|--------|--|
|   |                      | $\nabla=0$<br>$\nabla=0$  | <table border="1"> <thead> <tr> <th></th> <th>mm</th> <th>INCH</th> </tr> </thead> <tbody> <tr> <td>4 PLACES</td> <td>±----</td> <td>±----</td> </tr> <tr> <td>3 PLACES</td> <td>±----</td> <td>±----</td> </tr> <tr> <td>2 PLACES</td> <td>±----</td> <td>±----</td> </tr> <tr> <td>1 PLACE</td> <td>±----</td> <td>±----</td> </tr> <tr> <td colspan="3">ANGULAR ±---°</td> </tr> </tbody> </table> |                 | mm    | INCH                | 4 PLACES               | ±---- | ±---- | 3 PLACES   | ±----       | ±---- | 2 PLACES   | ±----      | ±----        | 1 PLACE      | ±----     | ±----        | ANGULAR ±---° |  |  | MM ONLY | 4:1 | METRIC |  |
|   |                      |   | mm  | INCH            |       |                     |                        |       |       |            |             |       |            |            |              |              |           |              |               |  |  |         |     |        |  |
|   |                      | 4 PLACES  | ±----   | ±----           |       |                     |                        |       |       |            |             |       |            |            |              |              |           |              |               |  |  |         |     |        |  |
| 3 PLACES  | ±----                | ±----   |   |                 |       |                     |                        |       |       |            |             |       |            |            |              |              |           |              |               |  |  |         |     |        |  |
| 2 PLACES  | ±----                | ±----   |   |                 |       |                     |                        |       |       |            |             |       |            |            |              |              |           |              |               |  |  |         |     |        |  |
| 1 PLACE   | ±----                | ±----   |   |                 |       |                     |                        |       |       |            |             |       |            |            |              |              |           |              |               |  |  |         |     |        |  |
| ANGULAR ±---°   |                      |   |   |                 |       |                     |                        |       |       |            |             |       |            |            |              |              |           |              |               |  |  |         |     |        |  |
| DRAFT WHERE APPLICABLE MUST REMAIN WITHIN DIMENSIONS  |                      | <table border="1"> <tr> <td>DRAWN BY</td> <td>DATE</td> </tr> <tr> <td>ELO</td> <td>2006/04/06</td> </tr> <tr> <td>CHECKED BY</td> <td>DATE</td> </tr> <tr> <td>ELO</td> <td>2005/02/22</td> </tr> <tr> <td>APPROVED BY</td> <td>DATE</td> </tr> <tr> <td>CUNNINGHAM</td> <td>2005/02/23</td> </tr> <tr> <td>MATERIAL NO.</td> <td>DOCUMENT NO.</td> </tr> <tr> <td>SEE CHART</td> <td>SD-75341-001</td> </tr> </table> | DRAWN BY  | DATE            | ELO   | 2006/04/06          | CHECKED BY             | DATE  | ELO   | 2005/02/22 | APPROVED BY | DATE  | CUNNINGHAM | 2005/02/23 | MATERIAL NO. | DOCUMENT NO. | SEE CHART | SD-75341-001 | TITLE         |  |  |         |     |        |  |
| DRAWN BY  | DATE                 |   |   |                 |       |                     |                        |       |       |            |             |       |            |            |              |              |           |              |               |  |  |         |     |        |  |
| ELO   | 2006/04/06           |   |   |                 |       |                     |                        |       |       |            |             |       |            |            |              |              |           |              |               |  |  |         |     |        |  |
| CHECKED BY  | DATE                 |   |   |                 |       |                     |                        |       |       |            |             |       |            |            |              |              |           |              |               |  |  |         |     |        |  |
| ELO   | 2005/02/22           |   |   |                 |       |                     |                        |       |       |            |             |       |            |            |              |              |           |              |               |  |  |         |     |        |  |
| APPROVED BY   | DATE                 |   |   |                 |       |                     |                        |       |       |            |             |       |            |            |              |              |           |              |               |  |  |         |     |        |  |
| CUNNINGHAM  | 2005/02/23           |   |   |                 |       |                     |                        |       |       |            |             |       |            |            |              |              |           |              |               |  |  |         |     |        |  |
| MATERIAL NO.  | DOCUMENT NO.         |   |   |                 |       |                     |                        |       |       |            |             |       |            |            |              |              |           |              |               |  |  |         |     |        |  |
| SEE CHART   | SD-75341-001         |   |   |                 |       |                     |                        |       |       |            |             |       |            |            |              |              |           |              |               |  |  |         |     |        |  |
|   |                      | MOLEX INCORPORATED<br>GBX 4 PAIR BACKPLANE POWER SALES ASSEMBLY   |   |                 |       |                     |                        |       |       |            |             |       |            |            |              |              |           |              |               |  |  |         |     |        |  |
|   |                      | THIS DRAWING CONTAINS INFORMATION THAT IS PROPRIETARY TO MOLEX INCORPORATED AND SHOULD NOT BE USED WITHOUT WRITTEN PERMISSION   |   |                 |       | SHEET NO.<br>1 OF 4 |                        |       |       |            |             |       |            |            |              |              |           |              |               |  |  |         |     |        |  |

9 8 7 6 5 4 3 2 1

10 9 8 7 6 5 4 3 2 1



2-UP ASSEMBLY PART NUMBER

7 5 3 4 2 - A B C D

- TIN/LEAD PLATED PRODUCT -  
FOR EACH ROW LOCATION A, B, C, D:

- 0 = VOID
- 4 = 4.5 mm WIPE
- 6 = 6.0 mm WIPE
- 7 = 7.5 mm WIPE

- LEAD-FREE PLATED PRODUCT -  
FOR EACH ROW LOCATION A, B, C, D:

- 0 = VOID
- 2 = 4.5 mm WIPE
- 3 = 6.0 mm WIPE
- 5 = 7.5 mm WIPE



SEE SHEET 1 FOR ADDITIONAL INFORMATION  
CHECK WITH PRODUCT MANAGER FOR AVAILABILITY

|  |                               |  |  |                            |                    |  |                              |                        |                     |
|--|-------------------------------|--|--|----------------------------|--------------------|--|------------------------------|------------------------|---------------------|
| SEE SHEET ONE<br>EC NO: UCP2008-0426<br>DRW: JSTEWART 2007/08/29<br>CHKD: 2007/08/30<br>APPR: J. INGHAM 2007/08/31 | QUALITY SYMBOLS<br>▽=0<br>▽=0 | GENERAL TOLERANCES (UNLESS SPECIFIED)                      |  | DIMENSION STYLE<br>MM ONLY |                    | SCALE<br>4:1   | DESIGN UNITS<br>METRIC       | THIRD ANGLE PROJECTION |                     |
|  |                               |  |  | DRAWN BY<br>ELO            | DATE<br>2006/04/06 | TITLE<br>GBX 4 PAIR<br>BACKPLANE POWER<br>SALES ASSEMBLY   |                              |                        |                     |
|  |                               |  |  | CHECKED BY<br>ELO          | DATE<br>2005/02/22 | APPROVED BY<br>CUNNINGHAM  |                              |                        |                     |
|  |                               |  |  | ANGULAR ±---°              |                    | DATE<br>2005/02/23   | DOCUMENT NO.<br>SD-75341-001 |                        | SHEET NO.<br>2 OF 4 |
|  |                               | DRAFT WHERE APPLICABLE<br>MUST REMAIN<br>WITHIN DIMENSIONS |  | SEE CHART                  |                    | MATERIAL NO.   |                              |                        |                     |
|  |                               |  |  | SIZE<br>B                  |                    | THIS DRAWING CONTAINS INFORMATION THAT IS PROPRIETARY TO MOLEX<br>INCORPORATED AND SHOULD NOT BE USED WITHOUT WRITTEN PERMISSION |                              |                        |                     |

9 8 7 6 5 4 3 2 1



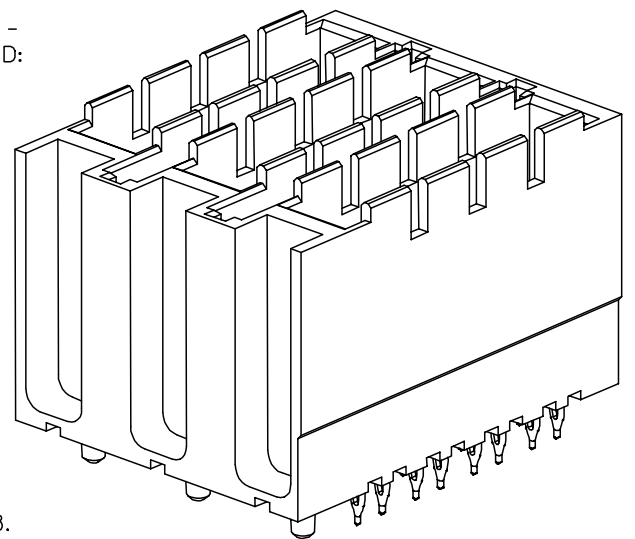
COLUMN 1  
 COLUMN 2  
 COLUMN 3  
 COLUMN 4  
 COLUMN 5  
 COLUMN 6

3-UP ASSEMBLY PART NUMBER  
 7 5 3 4 3 - A B C D  
 - TIN/LEAD PLATED PRODUCT -  
 FOR EACH ROW LOCATION A, B, C, D:  
 0 = VOID  
 4 = 4.5 mm WIPE  
 6 = 6.0 mm WIPE  
 7 = 7.5 mm WIPE  
 - LEAD-FREE PLATED PRODUCT -  
 FOR EACH ROW LOCATION A, B, C, D:  
 0 = VOID  
 2 = 4.5 mm WIPE  
 3 = 6.0 mm WIPE  
 5 = 7.5 mm WIPE

SEE NOTE 4.



SEE NOTE 8.

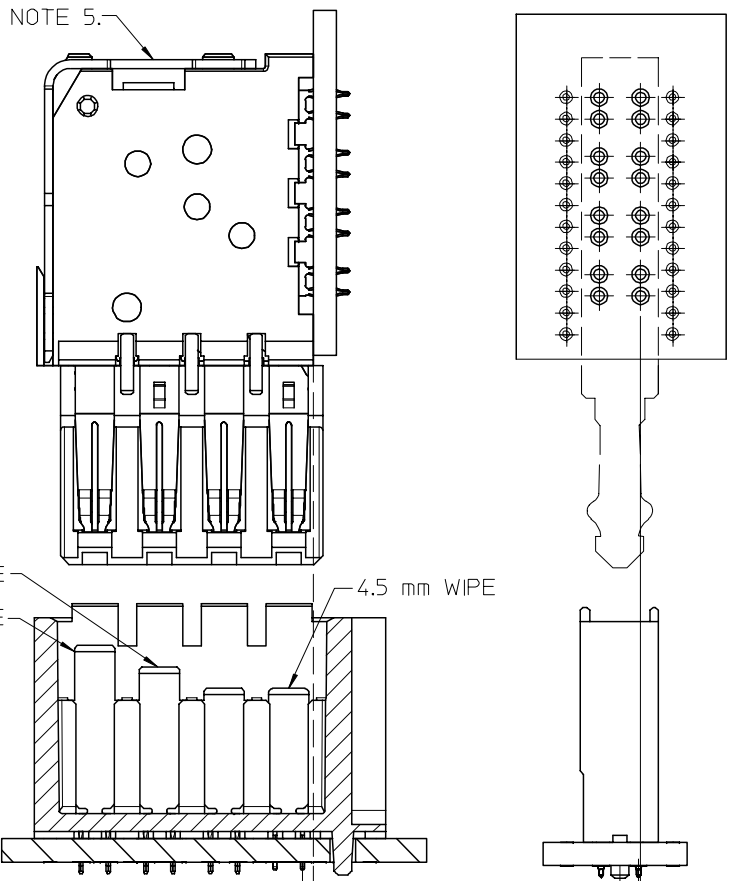


SEE SHEET 1 FOR ADDITIONAL INFORMATION  
 CHECK WITH PRODUCT MANAGER FOR AVAILABILITY

|  |                               |                                       |   |                            |                           |                    |  |                              |                     |
|--|-------------------------------|---------------------------------------|---|----------------------------|---------------------------|--------------------|--|------------------------------|---------------------|
| SEE SHEET ONE<br>EC NO: UCP2008-0426<br>DRW: JSTEWART 2007/08/29<br>CHKD: 2007/08/30<br>APPR: J. INGHAM 2007/08/31 | QUALITY SYMBOLS<br>▽=0<br>▽=0 | GENERAL TOLERANCES (UNLESS SPECIFIED) |   | DIMENSION STYLE<br>MM ONLY |                           | SCALE<br>4:1       | DESIGN UNITS<br>METRIC                             | THIRD ANGLE PROJECTION       |                     |
|  |                               |                                       | mm  | INCH                       | DRAWN BY<br>ELO           | DATE<br>2006/04/06 | TITLE<br>GBX 4 PAIR BACKPLANE POWER SALES ASSEMBLY |                              |                     |
|  |                               | 4 PLACES ± --- ± ---                  | 3 PLACES ± --- ± ---  | 2 PLACES ± --- ± ---       | CHECKED BY<br>ELO         | DATE<br>2005/02/22 | MOLEX INCORPORATED                                 |                              |                     |
|  |                               | 1 PLACE ± --- ± ---                   | ANGULAR ± ---°  |                            | APPROVED BY<br>CUNNINGHAM | DATE<br>2005/02/23 | MATERIAL NO.<br>SEE CHART                          | DOCUMENT NO.<br>SD-75341-001 | SHEET NO.<br>3 OF 4 |
| DRAFT WHERE APPLICABLE MUST REMAIN WITHIN DIMENSIONS   |                               |                                       | THIS DRAWING CONTAINS INFORMATION THAT IS PROPRIETARY TO MOLEX INCORPORATED AND SHOULD NOT BE USED WITHOUT WRITTEN PERMISSION |                            |                           |                    |  |                              |                     |

10 9 8 7 6 5 4 3 2 1

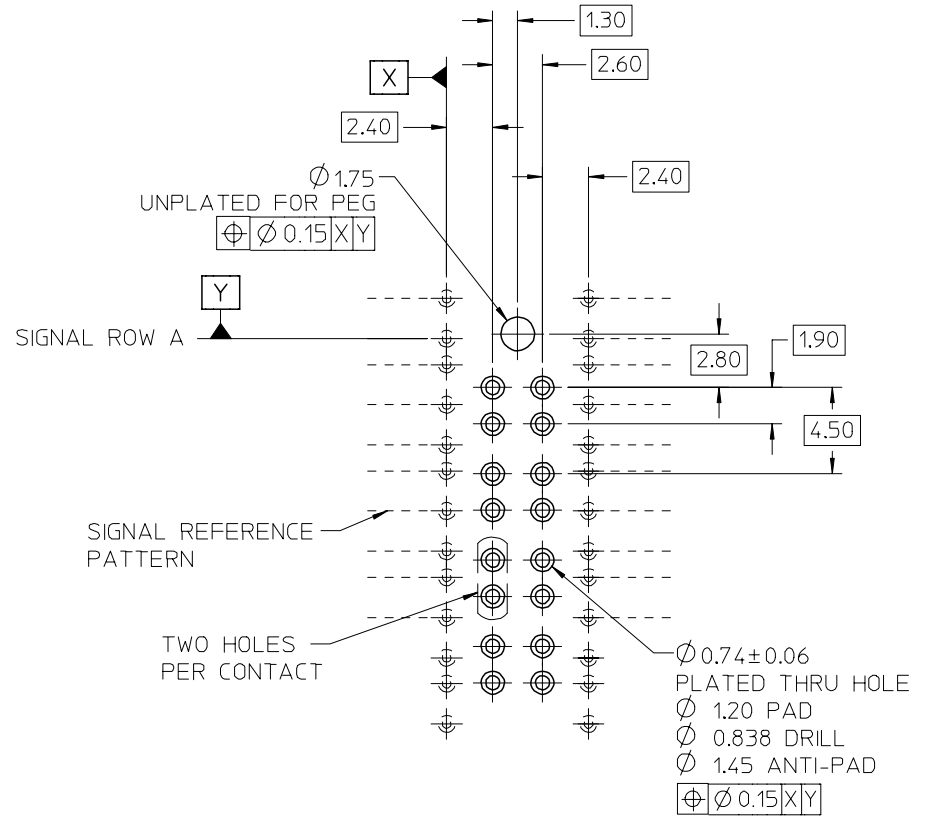
SEE NOTE 5.



0.76  
DC BOARD EDGE TO  
CENTERLINE OF BP TAIL

### HOLE PATTERN FOR 1-UP ASSEMBLY

- 1.) ADD 7.40 FROM CENTERLINES OF PEGS FOR MULTIPLE UP ASSEMBLIES.
- 2.) ADD 5.55 FROM CENTERLINE TO CENTERLINE OF PEG FOR INDIVIDUAL POWER MODULES STACKED NEXT TO EACH OTHER.



|                            |             |                 |
|----------------------------|-------------|-----------------|
| ADDED $\phi 0.74 \pm 0.06$ | 2007/08/29  | QUALITY SYMBOLS |
| EC NO: UCP2008-0426        | 2007/08/29  | $\nabla = 0$    |
| DRWN: C STEWART            | 2007/08/30  | $\nabla = 0$    |
| CHKD: J BINGHAM            | 2007/08/31  |                 |
| APPR: J BINGHAM            | 2007/08/31  |                 |
| REV                        | DESCRIPTION |                 |

|  |             |
|--|-------------|
| GENERAL TOLERANCES (UNLESS SPECIFIED)                |             |
|  | mm INCH     |
| 4 PLACES   | ± --- ± --- |
| 3 PLACES   | ± --- ± --- |
| 2 PLACES   | ± --- ± --- |
| 1 PLACE  | ± --- ± --- |
| ANGULAR ± --- °                                      |             |
| DRAFT WHERE APPLICABLE MUST REMAIN WITHIN DIMENSIONS |             |

|                 |              |
|-----------------|--------------|
| DIMENSION STYLE |              |
| MM ONLY         |              |
| DRAWN BY        | DATE         |
| ELO             | 2006/04/06   |
| CHECKED BY      | DATE         |
| ELO             | 2005/02/22   |
| APPROVED BY     | DATE         |
| CUNNINGHAM      | 2005/02/23   |
| MATERIAL NO.    | DOCUMENT NO. |
| SEE PREVIOUS    | SD-75341-001 |

|   |              |                        |
|---|--------------|------------------------|
| SCALE   | DESIGN UNITS | THIRD ANGLE PROJECTION |
| 4:1   | METRIC       | $\odot \square$        |
| TITLE   |              |                        |
| GBX 4 PAIR BACKPLANE POWER SALES ASSEMBLY   |              |                        |
| MOLEX INCORPORATED  |              |                        |
| MATERIAL NO.  |              | SHEET NO.              |
| SD-75341-001  |              | 4 OF 4                 |
| THIS DRAWING CONTAINS INFORMATION THAT IS PROPRIETARY TO MOLEX INCORPORATED AND SHOULD NOT BE USED WITHOUT WRITTEN PERMISSION |              |                        |

9 8 7 6 5 4 3 2 1