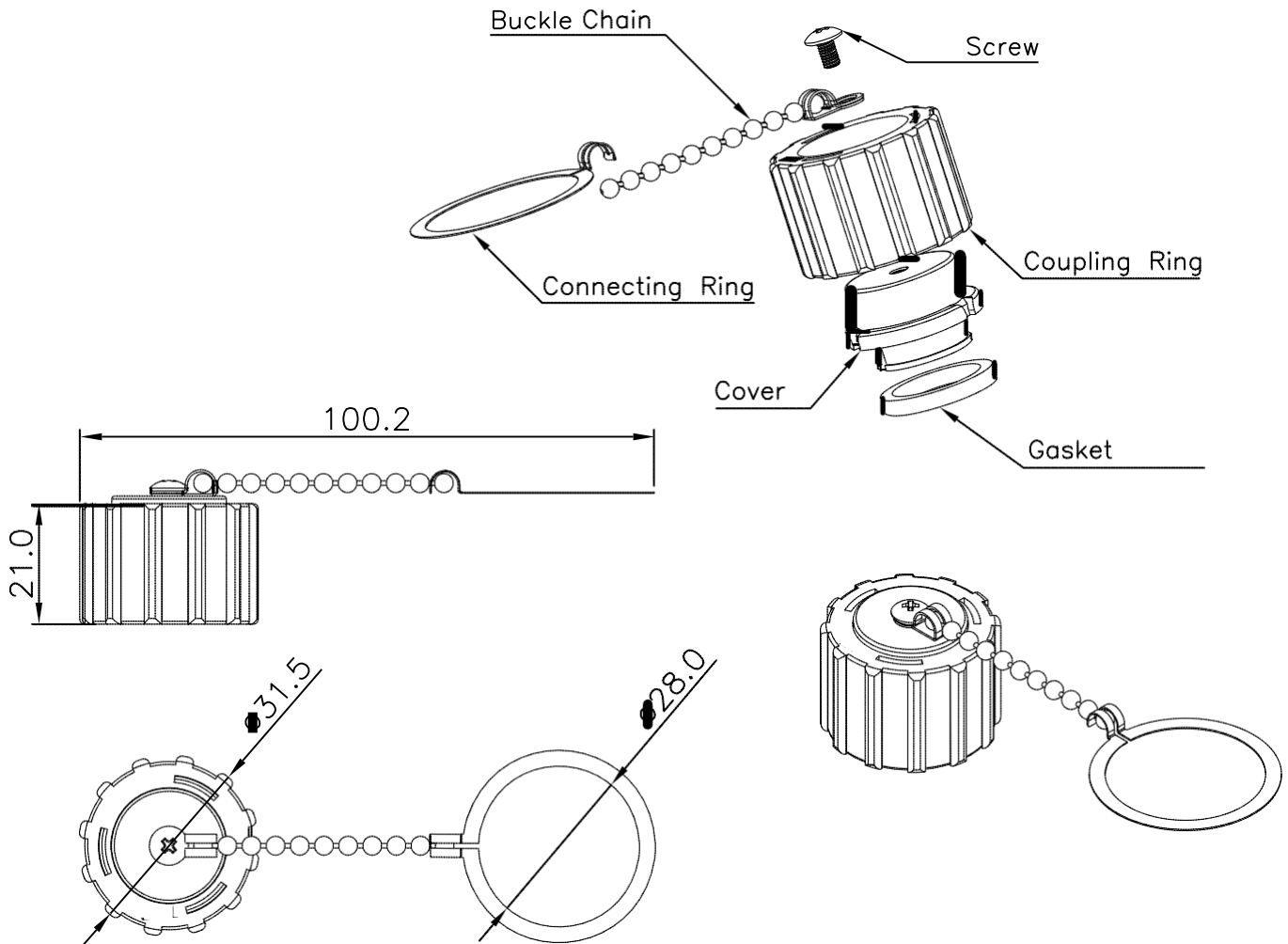


Metal Waterproof Cap With Chain (IP68)



Materials

NAME	SPECIFICATION	QTY
Connecting Ring	Stainless steel	1
Screw	Stainless steel	1
Buckle Chain	Stainless steel	1
Gasket	Silicon	1
Coupling Ring	Zn Alloy 3,Nickel Plated	1
Cover	Zn Alloy 3,Nickel Plated	1



Ordering Information 3353A-02