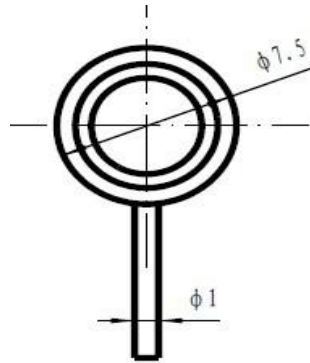
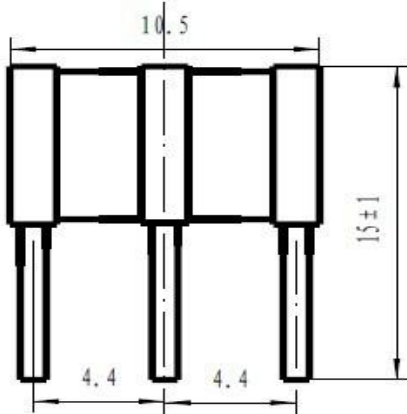


3-Electrode Gas Discharge Tubes

10KA



1: Dimension(mm)



2: Main Applications

- PCI Cards protection
- Telephone/Fax/Modem protection
- single line protection
- ADSL/XDSL Splitter, Power Supply
- Surge Protection Device/Surge Protector

- 100% Lead-Free (RoHS Compliant)
- Non-Radioactive
- Low capacitance ($\leq 1\text{pF}$)
- Fast Response-time, High Insulation Resistance.
- Small size : Ø7.5x10.5(mm)

4 Electrical Characteristics

Part Number	DC Spark-over Voltage @ 100V/S	Impulse Spark-over Voltage @ 100V/ μs	Impulse Spark-over Voltage @ 1KV/ μs	Insulation Resistance	Impulse discharge current (8/20 μs)	AC discharge current (50Hz, 1s, 10ti mes)	Capacitance (1MHz)
	V	V	V	G Ω	10 Times	A	PF
H3R7S-75	75±20%	<500	<600	>1	10KA	10	≤ 1
H3R7S-90	90±20%	<500	<600	>1	10KA	10	≤ 1
H3R7S-150	150±20%	<500	<600	>1	10KA	10	≤ 1
H3R7S-230	230±20%	<600	<700	>1	10KA	10	≤ 1
H3R7S-250	250±20%	<600	<700	>1	10KA	10	≤ 1
H3R7S-350	350±20%	<900	≤ 1000	>1	10KA	10	≤ 1
H3R7S-400	400±20%	<900	≤ 1000	>1	10KA	10	≤ 1
H3R7S-420	420±20%	<900	≤ 1000	>1	10KA	10	≤ 1
H3R7S-470	470±20%	<1100	≤ 1200	>1	10KA	10	≤ 1
H3R7S-600	600±20%	<1200	≤ 1300	>1	10KA	10	≤ 1

Specifications are subject to change without notice

sales@huaandz.com

5 Electrical Characteristics

continued



Part Number	DC Spark-over Voltage @ 100V/S	Impulse Spark-over Voltage @100V/μs	Impulse Spark-over Voltage @1KV/μs	Insulation Resistance	Impulse discharge current(8/20 μs)	AC discharge current (50Hz,1s,10ti mes)	Capacitance (1MHz)
	V	V	V	GΩ	10 Times	A	PF
H3R7S-75F	75±20%	<500	<600	>1	10KA	10	≤1
H3R7S-90F	90±20%	<500	<600	>1	10KA	10	≤1
H3R7S-150F	150±20%	<500	<600	>1	10KA	10	≤1
H3R7S-230F	230±20%	<600	<700	>1	10KA	10	≤1
H3R7S-250F	250±20%	<600	<700	>1	10KA	10	≤1
H3R7S-350F	350±20%	<900	≤ 1000	>1	10KA	10	≤1
H3R7S-400F	400±20%	<900	≤ 1000	>1	10KA	10	≤1
H3R7S-420F	420±20%	<900	≤ 1000	>1	10KA	10	≤1
H3R7S-470F	470±20%	<1100	≤ 1200	>1	10KA	10	≤1
H3R7S-600F	600±20%	<1200	≤ 1300	>1	10KA	10	≤1

Packing Quantity : 100PCS

Specifications are subject to change without notice

sales@huaandz.com