

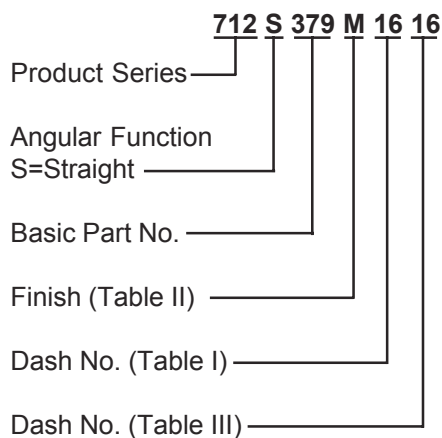
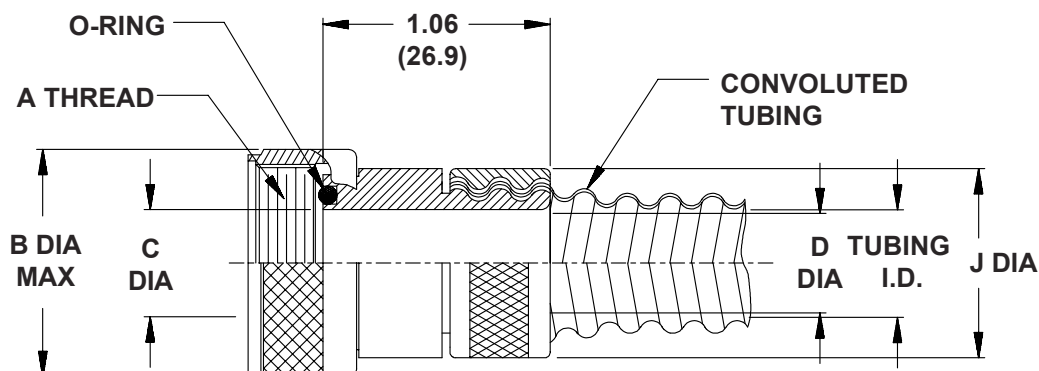


712-379 - Type A

Non-Environmental User-Installable Transition Fitting for Series 74 Helical Convulsed Tubing

TYPE A

TO BE USED
WITH
ADAPTERS AND
TRANSITIONS
SHOWN ON
PAGES G-1
THROUGH G-19



Not for use with PEEK convulsed tubing. Consult factory for correct part number.

DASH NO.	A THREAD CLASS 2B	B MAX	C DIA	MAX CONDUIT
06	7/16 - 28 UNEF	.640 (16.3)	.188 (4.8)	06
09	9/16 - 24 UNEF	.690 (17.5)	.281 (7.1)	09
10	9/16 - 24 UNEF	.690 (17.5)	.312 (7.9)	10
12	5/8 - 24 UNEF	.760 (19.3)	.375 (9.5)	12
14	11/16 - 24 UNEF	.890 (22.6)	.438 (11.1)	14
16	3/4 - 20 UNEF	.890 (22.6)	.500 (12.7)	16
20	7/8 - 20 UNEF	1.024 (26.0)	.625 (15.9)	20
24	1 - 20 UNEF	1.152 (29.3)	.750 (19.1)	24
28	1 3/16 - 18 UNEF	1.363 (34.6)	.875 (22.2)	28
32	1 5/16 - 18 UNEF	1.488 (37.8)	1.000 (25.4)	32
40	1 1/2 - 18 UNEF	1.676 (42.6)	1.250 (31.8)	40
48	1 3/4 - 18 UNS	1.960 (49.8)	1.500 (38.1)	48
56	2 - 18 UNS	2.210 (56.1)	1.750 (44.5)	56
64	2 1/4 - 16 UN	2.460 (62.5)	2.000 (50.8)	64

SYMBOL	FINISH
B	Olive Drab over Cadmium Plate
J	Gold Iridite over Cadmium Plate over Nickel
M	Electroless Nickel
N	Olive Drab over Cadmium Plate over Nickel
NC	Zinc-Cobalt, Olive Drab
NF	Olive Drab over Cadmium Plate over Electroless Nickel (500 Hour Salt Spray)
T	Bright Dip Cadmium Plate over Nickel

DASH NO.	TUBING I.D. MIN	TUBING I.D. MAX	J MAX
06	.181 (4.6)	.188 (4.8)	.530 (13.5)
09	.273 (6.9)	.281 (7.1)	.590 (15.0)
10	.306 (7.8)	.312 (7.9)	.660 (16.8)
12	.359 (9.1)	.375 (9.5)	.710 (18.0)
14	.427 (10.8)	.437 (11.1)	.780 (19.8)
16	.480 (12.2)	.500 (12.7)	.840 (21.3)
20	.603 (15.3)	.625 (15.9)	.970 (24.6)
24	.725 (18.4)	.750 (19.1)	1.160 (29.5)
28	.860 (21.8)	.875 (22.2)	1.310 (33.3)
32	.970 (24.6)	1.000 (25.4)	1.410 (35.8)
40	1.205 (30.6)	1.250 (31.8)	1.720 (43.7)
48	1.437 (36.5)	1.500 (38.1)	2.010 (51.1)
56	1.688 (42.9)	1.750 (44.5)	2.380 (60.1)
64	1.937 (49.2)	2.000 (50.8)	2.560 (65.0)

Notes:

1. Metric dimensions (mm) are in parentheses.
2. Tubing shown for reference only.
3. Min/max dimensions not intended for inspection criteria.