

PLEASE CHECK WWW.MOLEX.COM FOR LATEST PART INFORMATION

Part Number: [0190700116](#)
Status: **Active**
Description: InsulKrimp™ Ring Tongue Terminal for 10-12 AWG Wire, Stud Size 7/16", Length 39.90mm (1.571"), Mylar Tape Carrier

Documents:

[Drawing \(PDF\)](#) [RoHS Certificate of Compliance \(PDF\)](#)
[Product Specification PS-19902-009 \(PDF\)](#)

Agency Certification

CSA LR18689
 UL E32244

General

Product Family Ring and Spade Terminals
 Series [19070](#)
 Crimp Quality Equipment Yes
 Mil-Spec N/A
 Product Name InsulKrimp™
 Type Ring

Physical

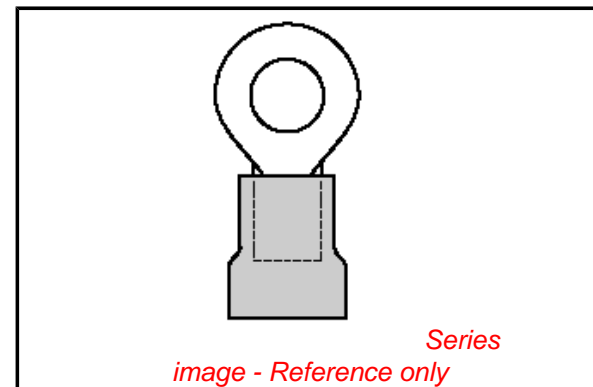
Barrel Type Closed
 Color - Resin Natural
 Flammability 94V-0, 94V-2
 Insulation PVC
 Material - Plating Mating Tin
 Packaging Type Adhesive Tape on Reel
 Stud Size 7/16" (M11)
 Wire Insulation Diameter 6.40mm (.250") max.
 Wire Size AWG 10, 12
 Wire Size mm² 0.40 - 0.60

Material Info

Old Part Number C-201-76XT

Reference - Drawing Numbers

Product Specification PS-19902-009
 Sales Drawing CCD20101



EU RoHS

ELV and RoHS Compliant
REACH SVHC
 Not Reviewed
Halogen-Free Status
Not Reviewed

China RoHS



Need more information on product environmental compliance?

Email productcompliance@molex.com
 For a multiple part number RoHS Certificate of Compliance, [click here](#)

Please visit the [Contact Us](#) section for any non-product compliance questions.

Search Parts in this Series

[19070Series](#)

Application Tooling | [FAQ](#)

Tooling specifications and manuals are found by selecting the products below. Crimp Height Specifications are then contained in the Application Tooling Specification document.

Global

Description	Product #
ATP Tooling Kits used with Molex Air Tape Press. ATP100 and 300 Series or Molex Mylar Tape Applicator.	0192880503
Mini-Mac™ Applicator	0638858200
Perishable Tooling Spacers for tape product	0190270135

This document was generated on 03/23/2010

PLEASE CHECK WWW.MOLEX.COM FOR LATEST PART INFORMATION

NOTES: $\pm .001$

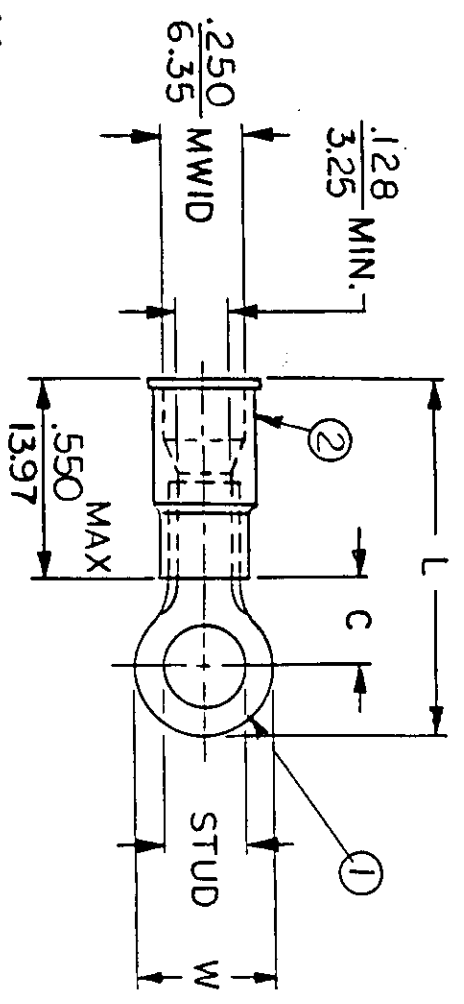
- ① MAT'L: COPPER(STOCK TKN. $\frac{040}{1.02}$)
- ② INSULATION: ELECTRO-TIN (.0003 MIN.)
- ③ INSULATION: MOLDED PVC (YELLOW)

STUD SIZES: ($\pm .005$)

02 = .094	209 = 209
04 = .119	413 = 413
06 = .146	
08 = .173	
10 = .198	
14 = .265	
56 = .328	
38 = .390	
76 = .453	
12 = .515	

"UL" LISTING # E32244
 "CSA" LISTING # 18689

ALL DIMENSIONS = $\frac{\text{INCHES}}{\text{MM}}$



MWID = MAXIMUM WIRE
 INSULATION DIAMETER
 WIRE SIZE: 12-10 AWG
 40-60 MM²

PART NUMBER	"W" ±.010	"C" MIN.	"L" MAX.	REFERENCE	SCALE:	NTS	DATE	TITLE:	AVAILABLE STUD SIZES
C-201-	$\frac{.750}{19.05}$	$\frac{.611}{15.52}$	$\frac{1.571}{39.90}$		DRWN. BY: JJ	JJ	10-31-84	RING TONGUE TERMINAL	14X, 56X, 38X, 76X, 12X
C-228-	$\frac{.375}{9.53}$	$\frac{.303}{7.70}$	$\frac{1.076}{27.33}$		CHKD. BY: GZ	GZ	11-26-84	INSULKRIMP 200-SERIES	04X, 06X, 08X, 10X, 209X
C-230-	$\frac{.530}{13.46}$	$\frac{.393}{9.98}$	$\frac{1.243}{31.57}$		APPRD. BY:				10X, 14X, 56X, 38X
C-236-	$\frac{.282}{7.16}$	$\frac{.306}{7.77}$	$\frac{1.032}{26.21}$						04X, 06X, 08X
C-240-	$\frac{.592}{15.04}$	$\frac{.466}{11.84}$	$\frac{1.347}{34.21}$						10X, 14X, 56X, 38X, 209X, 413X



DWG. NO. A CUSTOMER DWG.

FILE NO. C-CD-201-01