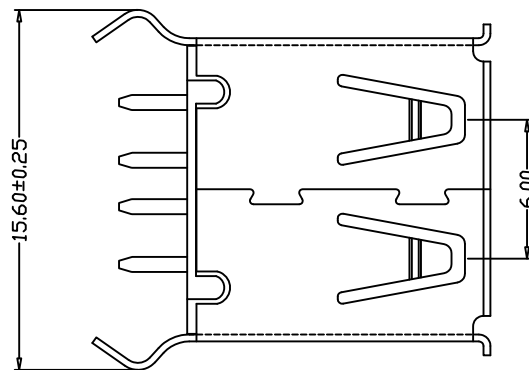
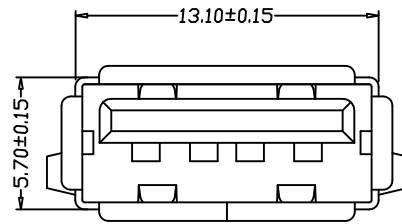
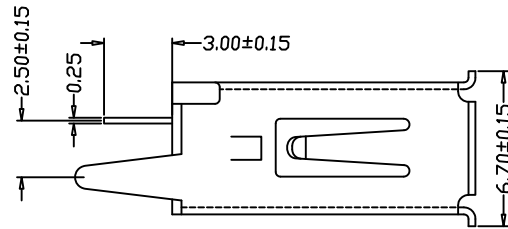
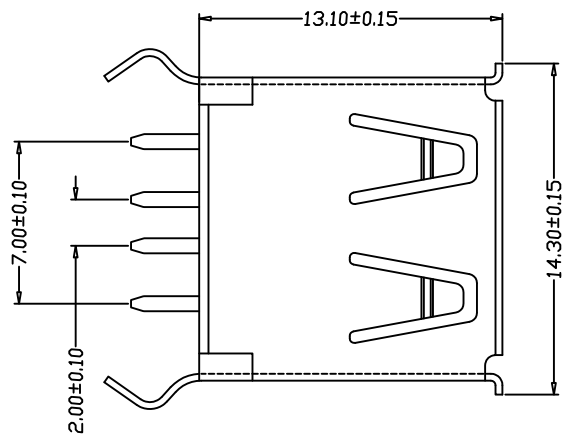


MAPX	MODIFICATION	DATE

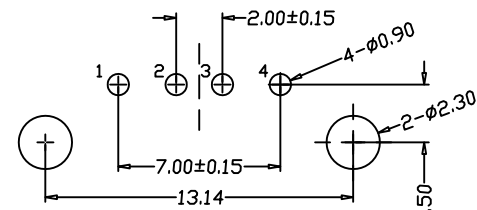


NOTES:

- 1. HOUSING: SEE NOTES, UL94V-0 .
- TERMINAL: SEE NOTES.
- SHELL: SEE NOTES.

SPECIFICATION:

- 1. ELECTRICAL CHARACTERISTIC:
 - CONTACT RESISTANCE: 30MΩ MAX
 - DIELECTRIC WITHSTANDING VOLTAGE: 500V AC FOR 1MIN
 - INSULATION RESISTANCE: 1000MΩ MIN
- 2. MECHANICAL CHARACTERISTIC:
 - INSERTION FORCE: 35N(3.57KGF) MAX
 - EXTRACTION FORCE: 10~35N(1.02~3.57KGF)MIN
 - DURABILITY: 1500 CYCLES EXTRACTION FORCE:10~35N
5000 CYCLES MIN
 - 5000 CYCLES EXTRACTION FORCE:3~35N
- 3. ENVIRONMENTAL:
 - OPERATING TEMPERATURE: -55℃+85℃
- 4. Contact finish:
 - 01:Selective Gold Flash
 - 02:Selective Gold 3U"
 - 03:Selective Gold 5U"
 - 04:Selective Gold 15U"
 - 05:Selective Gold 30U"



PCB LAYOUT

产品图 PRODUCT CHART DWG				深圳市精拓金电子有限公司						
公差一览表 TOLERANCE UNLESS OTHERWISE				单位	MM	制图	Z-Y-B	制图料号	916-151A1012Y10200	
X.	±0.25	X.	±5°	UNITS		DRAWING		PRODUCT PART NO.		
.X	±0.20	.X	±2°	比例	1:1	审核		产品名称	AF13.1弯脚180度有边铁壳PBT白胶	
.XX	±0.15	.XX	±1°	SCALE		CHKD		PRODUCT NO.		
.XXX	±0.10	.XXX	±0.5°	日期	2014.07.24	核准		角法	VIEW	
				DATE		APPD		版本	VER	AD