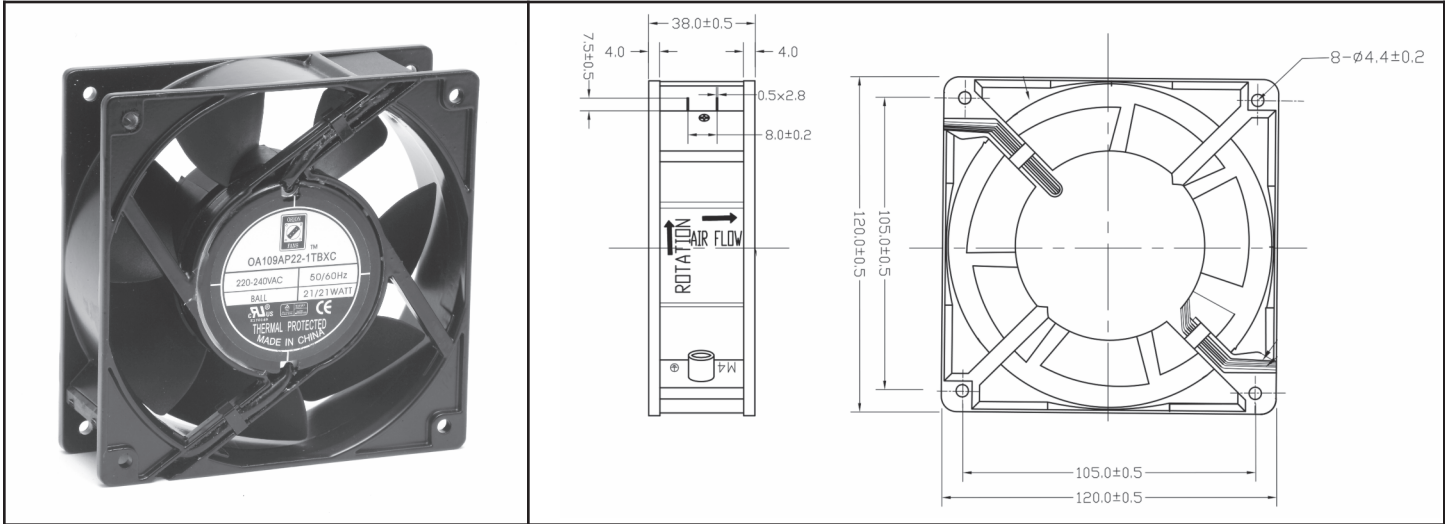


# OA109 'XC Series'



AC Fan - 115V, 230V  
120x38mm (4.7"x 1.5")



Frame	Diecast Aluminum	<u>Operating Temperature</u> Ball Bearing -10C ~ +65C Storage Temp -20C ~ +80C  <u>Life Expectancy</u> Ball Bearing 60,000 hours (L10 at 40C)  (* Wires ~300mm)  Weight: ~1.12 lbs.  m4	
Impeller	PBT, UL94V-0 plastic		
Connection	2x Lead wires (24AWG*) or Terminals		
Motor	AC capacitor drive, thermally protected		
Bearing System	Dual ball		
Insulation Resistance	>100M ohm between lead-wire and frame (500VDC)		
Dielectric Strength	1 min at 1500 VAC, 50/60Hz		

Part Number	OA109AP-11-1 * B XC	OA109AP-22-1 * B XC
Nominal Voltage	115 VAC	230 VAC
Rated Power (50/60 Hz)	21 / 22 W	21 / 22 W
Nominal Current	0.17 / 0.18 A	0.10 / 0.11 A
Frequency (Hz)	50 / 60	50 / 60
Rated Speed (RPM)	2800 / 3300	2800 / 3300
Airflow (CFM)	110 / 131	110 / 131
Noise Level (dB)	43 / 47	43 / 47
Max. Static Pressure	0.38" / 0.49" H <sub>2</sub> O	0.38" / 0.49" H <sub>2</sub> O

\* Insert "T" to specify Terminal or "W" to specify Wire leads