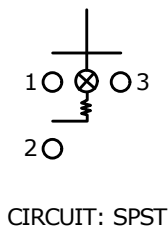


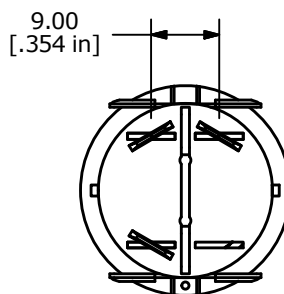
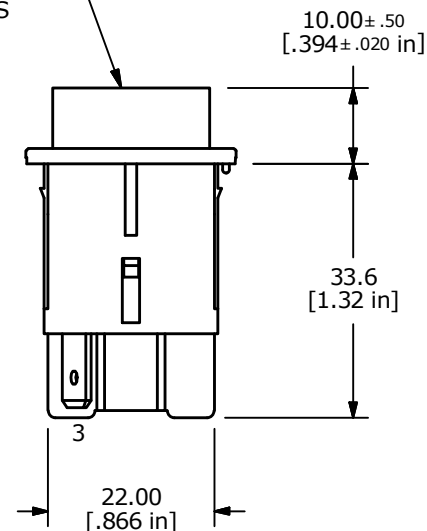
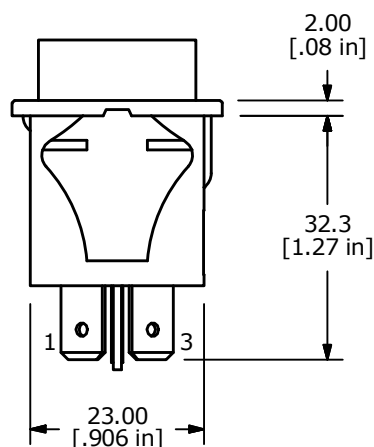
▲ SWITCH FUNCTION

POS. 1	POS. 2
OFF	ON
OPEN	1-3, 2



NOTE:

1. ALL DIMENSIONS IN MM [INCH]
2. GENERAL TOLERANCE: X.X = ±0.4
X.XX = ±0.25
3. TERMINAL NO'S FOR REFERENCE ONLY.
- ▲ 4. CONTACT RATINGS:
ANSI/UL 1054 AND CAN/CSA C22.2 NO.55(E194579)
16A 125VAC [UR,cUR]
1/2HP 125VAC, 3/4HP250VAC [UR,cUR]
EN 61058-1: 2002:
16(6)A 250V~ 1E4 T125/55 [ENEC14, SEMKO]
10(4)A 250V~ 5E4 T125/55 [ENEC14, SEMKO]
5. CONTACT RESISTANCE: 35mΩ MAX. INITIAL @ 50VAC
6. INSULATION RESISTANCE: 100MΩ @ 500VDC
7. DIELECTRIC STRENGTH: 1500VAC FOR 1 MINUTE
8. ELECTRICAL LIFE: 6,000 CYCLES [UR,cUR]
10,000 CYCLES [VDE]
50,000 CYCLES [VDE]
9. ▲ DENOTE CRITICAL PARAMETER
10. 2002/95/EC (ROHS) COMPLIANT
- ▲ 11. ILLUMINATION VOLTAGE: 24V



TITLE PR141C1000-115

A	22278	RELEASE TO PRODUCTION	4/20/16	MW
REV	PCR NO	DESCRIPTION	DATE	BY

SCALE	DATE	DR	DWG	REV
1:1	4/20/2016	MW	38-PR141C1000115	A

THE INFORMATION CONTAINED IN THIS DOCUMENT IS PROPRIETARY TO E-SWITCH AND IS NOT TO BE COPIED OR TRANSFERRED