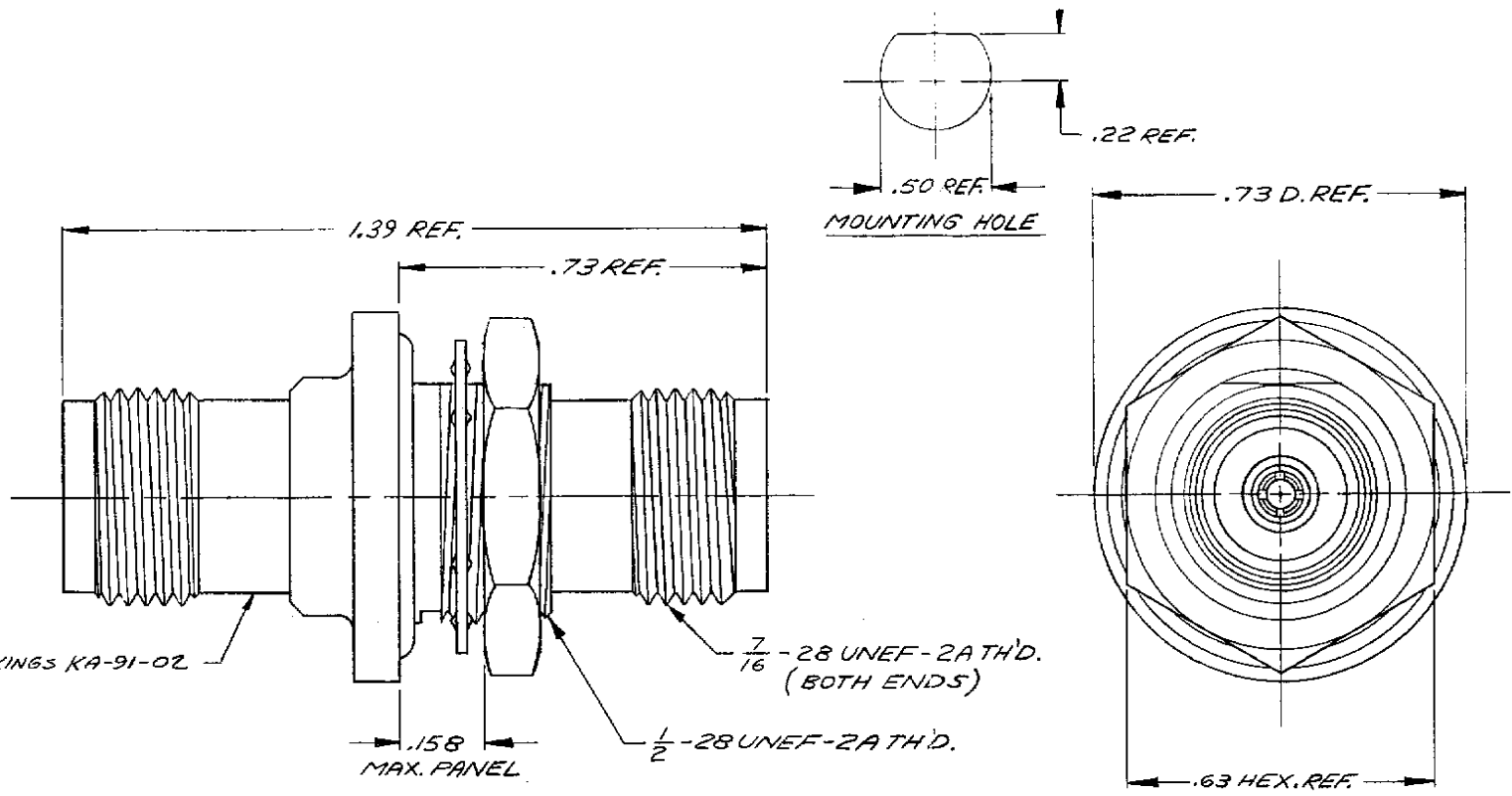


ISSUE	CHANGES
4	CN 19024 C LX 6 MAR 79
5	CN 23929 C MD 9 NOV 82

KA-91-02

GSD

GSD



STAMP: KINGS KA-91-02

NOTES:

- MATERIALS:**
 CENTER CONTACTS - BERYLLIUM COPPER, QQ-C-530.
 GLASS - DOW CORNING EI #10.
 GLASS SEAL { BAND - CRS STEEL.
 CENTER CONDUCTOR - NICKEL STEEL.
 LOCKWASHER - PHOSPHOR BRONZE, QQ-P-330.
 ALL OTHER METAL PARTS - BRASS, QQ-B-626.
 INSULATORS - TEFLON, L-P-403.
 O-RING - SYNTHETIC RUBBER GRADE RS-415 PER MIL-R-3065.
- FINISHES:**
 GLASS SEAL (BAND & CENTER CONTACT) - HOT TIN DIP
 CENTER CONTACTS - SILVER PLATE .0002 MIN. PER QQ-S-365
 ALL OTHER METAL PARTS - SILVER PLATE .0001 MIN. PER QQ-S-365

- ELECTRICAL CHARACTERISTICS:**
 NOMINAL IMPEDANCE - 50 Ω
 FREQUENCY RANGE - DC TO 11GHz
 WORKING VOLTAGE - 500 VOLTS RMS
- LEAKAGE RATE SHALL NOT EXCEED**
 10⁻⁷ CC/SECOND OF TRACER GAS
 AT ATMOSPHERIC PRESSURE.

UNLESS OTHERWISE SPECIFIED:

1. TOLERANCES: FRACTIONS & 2 PLACE DECIMALS ± .010	2. REMOVE ALL BURRS, BREAK SHARP EDGES .005 MAX.
3 PLACE DECIMALS ± .004	3. NO FILLETS PERMITTED.
ANGLES ± 0°30'	4. SURFACE ROUGHNESS 63 MICROINCHES RMS MAX.
T. I. R. CONCENTRICITY OF ANY 2 DIAMETERS MAY NOT EXCEED HALF THE SUM OF THEIR TOLERANCES.	5. ALL DIMENSIONS PRIOR TO PLATING.
	6. ALL PLATING IN ACCORDANCE WITH KER 10004.

SCALE	4:1
APPROX SURFACE AREA	
USED ON:	
REF	
TNC BULKHEAD ADAPTER F-F (HERM) SEALED	
DRAWN GL	DATE 16 NOV 81
APPR. MJB	DATE 19 NOV 81
KA-91-02	

GSD