





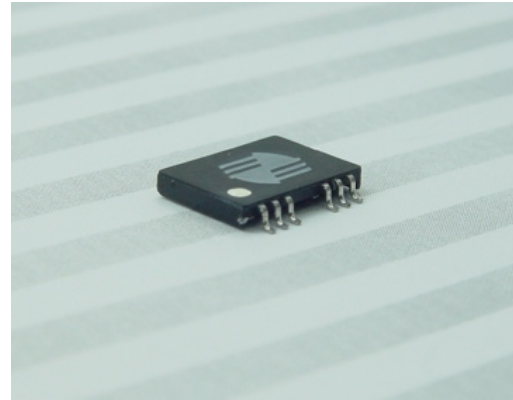


-  Compliant with IEEE802.3 standard
-  Models with integrated transmit and receive channels in ultra-low profile SMT package of 0.085" (2.16mm)
-  Designed to withstand IR-reflow with peak Temperature per IPC/JEDEC J-STD-020C
-  Designed for automatic pick and place process
-  Operating temperature 0°C to +70°C
-  RoHS compliant

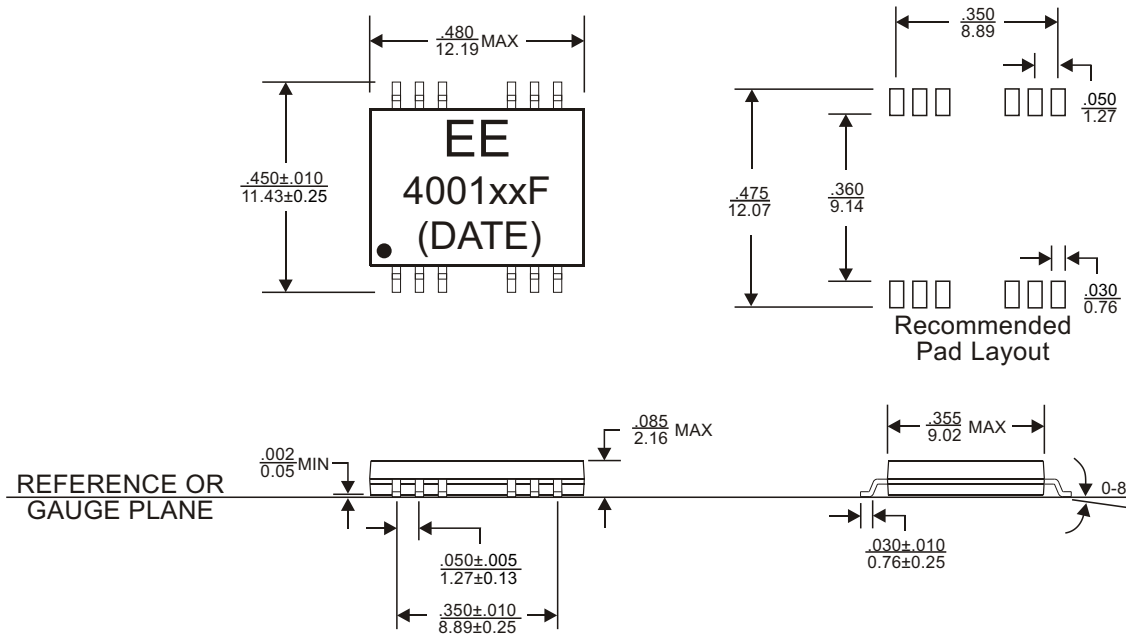


ELECTRICAL SPECIFICATION @ 25°C

Part Number	Turns Ratio		Insertion Loss (dB Max)	Return Loss (dB Min)			CMRR (dB Min)	Crosstalk (dB Min)	Hipot (Vrms)
	Tx	Rx		.1-100MHz	30MHz	60MHz			
824-00115F	1CT:1	1CT:1CT	2.0	18.0	14.0	12.0	30.0	40.0	1500
824-00153F	1CT:1CT	1CT:1CT	2.0	18.0	12.0	12.0	30.0	37.0	1500

MECHANICAL DIMENSIONS

Package: SO012A



Weight (in gram)	: 0.7 typ.
Tape & Reel	: 1300 / reel

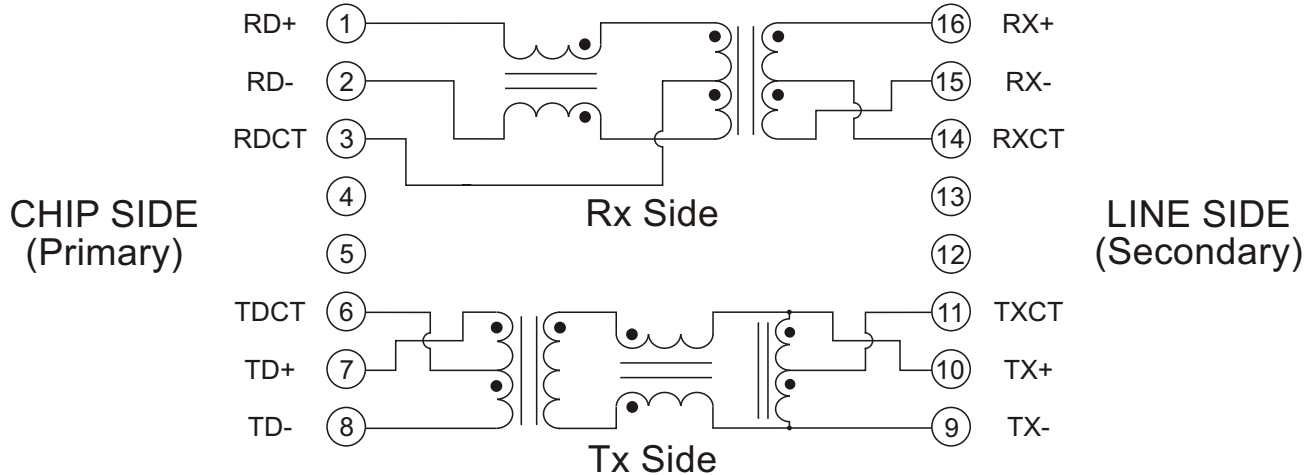
Notes:

1. All dimensions are specified in $\frac{\text{inches}}{\text{mm}}$ with higher precedence in inches.
2. Unless otherwise specified, all tolerances are $\pm \frac{.010}{0.25}$.



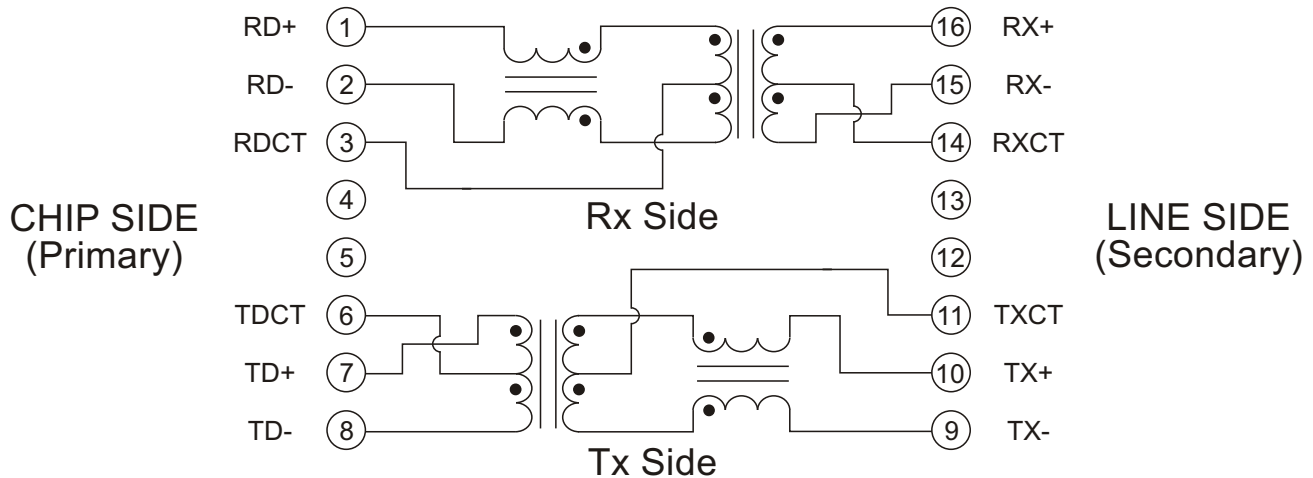
SCHEMATICS

824-00115F



SCHEMATICS

824-00153F



FOR MORE INFORMATION, PLEASE CONTACT

HEADQUARTER
1/F., Harbour View 1, No.12 Science Park East Avenue,
Phase II, Hong Kong Science Park, Shatin, N.T.
Hong Kong
Tel: (852) 2954 3333 Fax: (852) 2954 3304
Email: eempl@eleceltek.com
Website: <http://www.eleceltek.com> / www.eemagnetic.com

Information herein is for reference only and subject to change without notice. It does not constitute any representation, warranty or commitment of the company in respect of the products in any aspect. All logos, brands and product names mentioned herein are trademarks or registered trademarks of their respective owners. The company does not assume any liability arising out of the application or use of any product or circuit described herein. Copyrights 2009, E & E Magnetic Products Limited.

1/F., Harbour View 1, No.12 Science Park East Avenue, Phase II, Hong Kong Science Park, Shatin, N.T. Hong Kong
Tel: (852) 2954 3333 • Fax: (852) 2954 3304