

NMX-1000



Featuring:

- Forced current sharing for N +1 redundancy
- Remote sense on outputs #1, 2 and 3
- “Zero wire” slope program current sharing on outputs #2 and 3 for redundancy
- Universal AC input
- 0.99 power factor
- Mag-Amp regulators eliminate interaction between logic and auxiliary outputs
- Compact, low-profile package, only 12” x 8” x 3.38”
- DC power good and AC power fail signals
- True remote inhibit

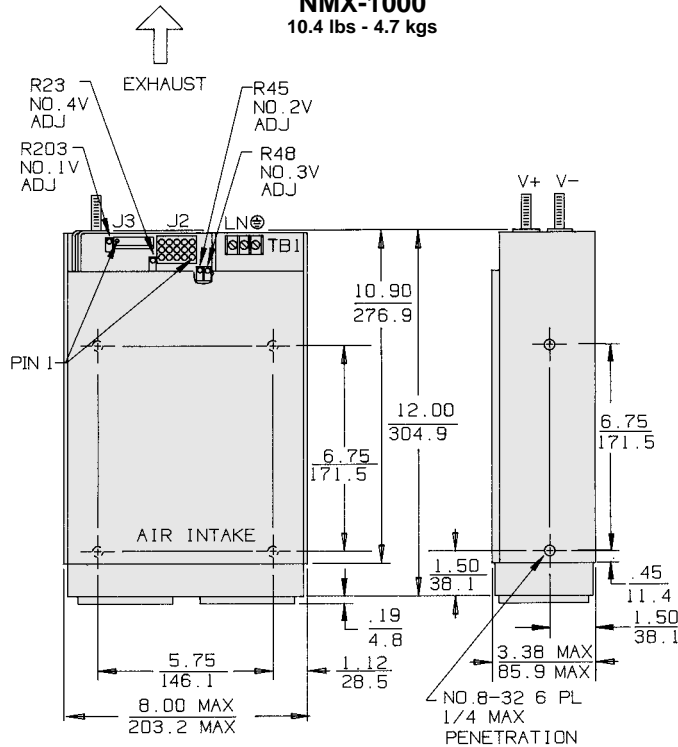
STANDARD NMX SERIES

MODEL	PWR	OUTPUT #1	OUTPUT #2	OUTPUT #3	OUTPUT #4
NMX-1003-0512	1000	+5V @ 150A	+12V @ 20/30A pk	-12V @ 10A	
NMX-1004-1203	1000	+5V @ 150A	+12V @ 20/30A pk	-12V @ 10A	3.3V @ 10A
NMX-1004-1205	1000	+5V @ 150A	+12V @ 20/30A pk	-12V @ 10A	5V @ 10A
NMX-1004-1212	1000	+5V @ 150A	+12V @ 20/30A pk	-12V @ 10A	12V @ 10A
NMX-1004-1224	1000	+5V @ 150A	+12V @ 20/30A pk	-12V @ 10A	24V @ 5A
NMX-1004-1512	1000	+5V @ 150A	+15V @ 20/30A pk	-15V @ 10A	12V @ 10A
NMX-1004-1524	1000	+5V @ 150A	+15V @ 20/30A pk	-15V @ 10A	24V @ 5A

The smallest most capable 1000 W power supply of its kind.

When used with external OR-ing diodes, NMX Series power supplies can easily be configured as multiple-output, current-sharing, redundant power systems. NMX Series switching power supplies have power factor correction, 1000-watt multiple output, and current sharing. They are available as low-profile, self-cooled modules, and are designed to meet global requirements.

NMX-1000
10.4 lbs - 4.7 kgs



Dimensions: Inches
Millimeters

SPECIFICATIONS: ALL MODELS

INPUT

AC Input: 90-264 Vac continuous range, 47 to 63 Hz. Internally fused for 20 A.
Power Factor: 0.99 typical at full load. Meets EN61000-3-2.
Inrush: Cold start AC current is less than 90 A at 115 Vac and 180 A at 230 Vac. Limited by thermistor.
Brownout Protection: Holds regulation to 85 Vac.
Holdup Time: 20 ms minimum after removal of power at full load.
Efficiency: 75% typical.
AC Power Fail: Provides TTL "0" 5 ms before output voltage goes out of regulation band upon loss of AC power.

OUTPUT

Adjustability: All outputs user adjustable $\pm 5\%$ minimum. Outputs #2 and 3 have factory adjustable preprogrammed slope.
Line & Load Reg: Outputs #1 and 4 hold $\pm 1\%$ over AC input range and 0 to 100% load change. Outputs #2 and 3 hold $\pm 2\%$ (preprogrammed slope). Output #1 requires minimum load of 10%.
Ripple & Noise: Less than 1% p-p or 100 mV, whichever is greater.
Remote Sense (Outputs #1, 2, and 3): Compensates for 250 mV total line drop. Open sense lead protection.
Temperature Coefficient: 0.02% per degree C.
Stability: 0.1% over 8 hours after 30 minutes warm-up.
Transient Response (Output #1): Output voltage returns to within 1% in less than 500 μ s for a 50% load change. Peak transient does not exceed 5%.
Overload Protection: All outputs are protected against overload and short circuit. Automatic recovery upon removal of fault.
Overvoltage Protection (Outputs #1, 2, and 3): Protects load against power supply induced overvoltage. Trip point is factory set so that output voltage cannot exceed 136% of nominal.
Peak Output Current: Dual current ratings define continuous and peak currents. The peak current shown can be delivered for a maximum period of 30 seconds.
Remote Inhibit: Contact closure to the negative sense line or a TTL level "0" turns off DC outputs.
DC Power Good: Provides a TTL "1" when output #1 is above 4.6 V nominal.
Redundancy: External OR-ing diodes and current sharing on outputs #1, 2, and 3 provide "N+1" capability. Remote senses compensate for additional 0.6 V diode voltage drop. When the forced current sharing terminal is connected among units, current sharing remains within 10% of the unit's full output current rating.

ENVIRONMENTAL

Thermal Protection: Shuts down power supply if overheated. Automatic recovery.
Temperature Range: 0° to 50°C at full ratings.
Safety Agencies: Most models are approved to UL1950; CSA 22.2 #234; IEC 950 and TÜV EN60950, Class 1 SELV., CE 72/23/EEC/93/68EEC (low voltage directive).
Conducted RFI: Meets FCC Part 15, Subpart J, Class A; EN55022 Class B; CISPR 22 Class B.
Output Isolation: Isolated from ground 50 Vdc.

Reverse Voltage: Protected against reverse voltage up to supply current rating.
Cooling: Self cooled with internal ball-bearing fans. Consult factory for alternative configurations.

OPTIONS:

Consult factory for available options.

AC INPUT (90-264 VAC Continuous Range)

FUNCTION	115 VAC	230 VAC	CONNECTOR
TB1- (L)	Line	Line 1	Barrier strip
TB1- (N)	Neutral	Line 2	# 6-32 screws
TB1- (⊕)	Safety Ground	Safety Ground	3/8" centers

DC OUTPUT

FUNCTION	LOCATION	NOTES	CONNECTOR
Output #1	Terminal marked +V	Main output	Studs # 5/16-18 x 1"
	Terminal marked -V	Rtn (Common)	
Output #2	J2-1, 2, 3	Rtn (Common)	AMP # 350830-1 mates with plug housing # 350736-1 with pins
	J2-4, 5, 6		
Output #3	J2-7, 8, 9	Rtn (Common)	
	J2-4, 5, 6		
Output #4	J2-10, 11, 12,	(+) Floating Output	
	J2-13, 14, 15	(-) Floating Output	

STATUS AND CONTROL

FUNCTION	LOCATION	NOTES	CONNECTOR
Remote Sense	J3-1	Output #1 Sense	AMP MTA type #640456-9 pin header (locking)
	J3-3	Output #1 Sense Rtn	
	J3-8	Output #2 Sense	
	J3-7	Output #2&3 Sense Rtn	
	J3-9	Output #3 Sense	
DC Power Good	J3-6	Reference to Common when a Sense Rtn is terminated	
AC Power Fail	J3-4		
Inhibit	J3-5		
Current Share	J3-2		