

**PLEASE CHECK WWW.MOLEX.COM FOR LATEST PART INFORMATION**

**Part Number:** [0643221219](#)  
**Status:** **Active**  
**Overview:** [cmc connectors](#)  
**Description:** 0.635mm (.025") CMC CP Female Terminal, Tin Plated, Selective 1.27µm Gold in Contact Area, for Square 0.6mm x 0.6mm Pins, Wire Size 0.75mm<sup>2</sup>

**Documents:**

[3D Model](#) [RoHS Certificate of Compliance \(PDF\)](#)  
[Drawing \(PDF\)](#)

**General**

Product Family	Crimp Terminals
Series	<a href="#">64322</a>
Comments	* Current tested on a 5 terminals loaded connector, current for temperature increase of 40°C. Current max = 6.0A for 0.635mm Terminal(0.75mm <sup>2</sup> wire)
Crimp Quality Equipment	Yes
Overview	<a href="#">cmc connectors</a>
Product Name	CMC, CP Terminal

**Physical**

Durability (mating cycles max)	20
Gender	Female
Material - Metal	Phosphor Bronze
Material - Plating Mating	Gold
Material - Plating Termination	Tin
Packaging Type	Reel
Plating min: Mating (µm)	1, 3
Termination Interface: Style	Crimp or Compression
Wire Insulation Diameter	1.60-1.90mm
Wire Size AWG	N/A
Wire Size mm <sup>2</sup>	0.75

**Electrical**

Current - Maximum per Contact	6A
Voltage - Maximum	250V AC

**Material Info**

**Reference - Drawing Numbers**

Application Specification	AS-98993-011
Packaging Specification	PK-98913-001
Sales Drawing	SD-64322-001



*image - Reference only*

**EU RoHS**

**ELV and RoHS Compliant**  
**REACH SVHC**  
 Not Reviewed  
**Halogen-Free Status**  
 Not Reviewed

**China RoHS**



**Need more information on product environmental compliance?**

Email [productcompliance@molex.com](mailto:productcompliance@molex.com)  
 For a multiple part number RoHS Certificate of Compliance, [click here](#)

Please visit the [Contact Us](#) section for any non-product compliance questions.

**Search Parts in this Series**

[64322Series](#)

**Mates With**

CMC Connector [64318](#) , [64319](#) , [64320](#) , [64321](#)

**Use With**

CMC Connector [64318](#) , [64319](#) , [64320](#) , [64321](#)

**Application Tooling | FAQ**

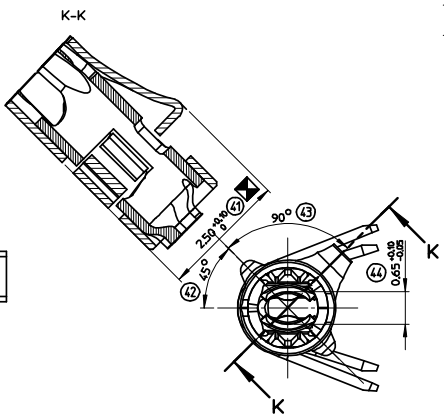
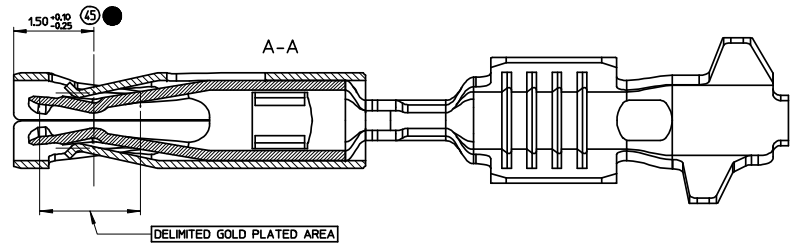
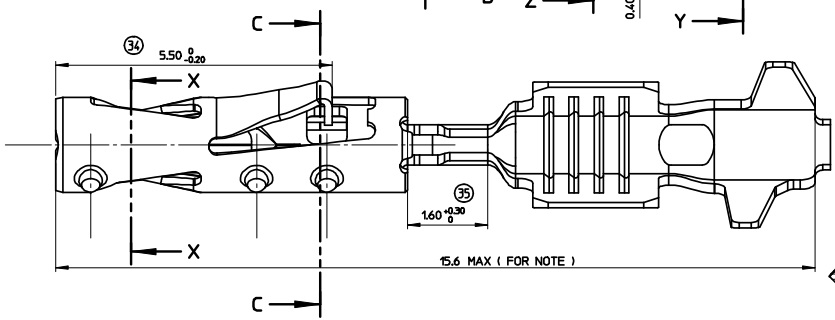
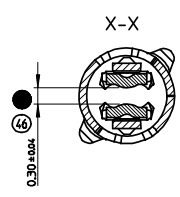
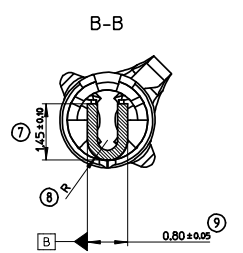
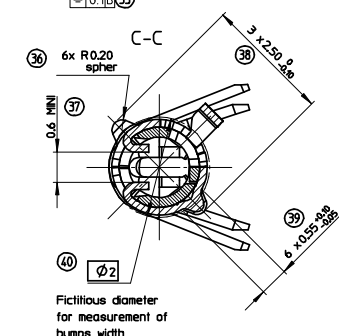
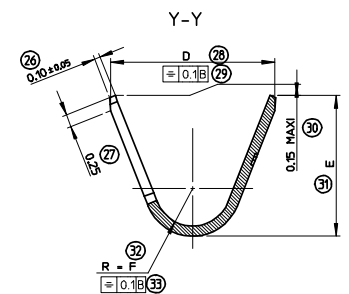
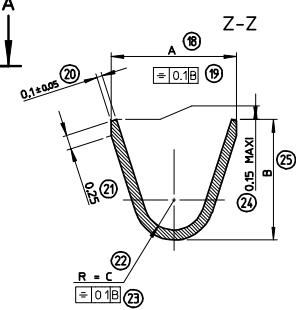
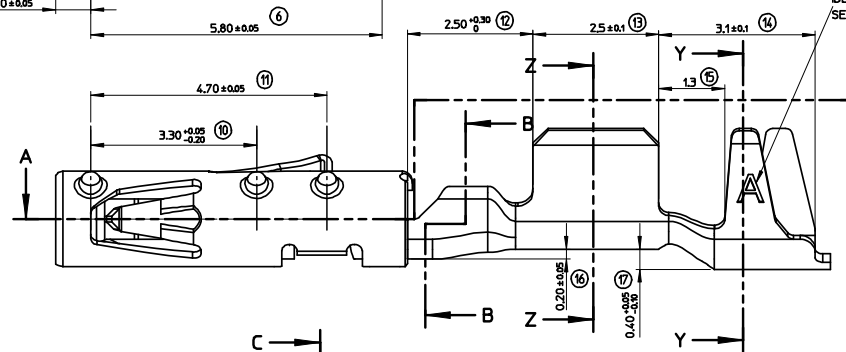
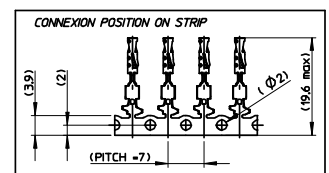
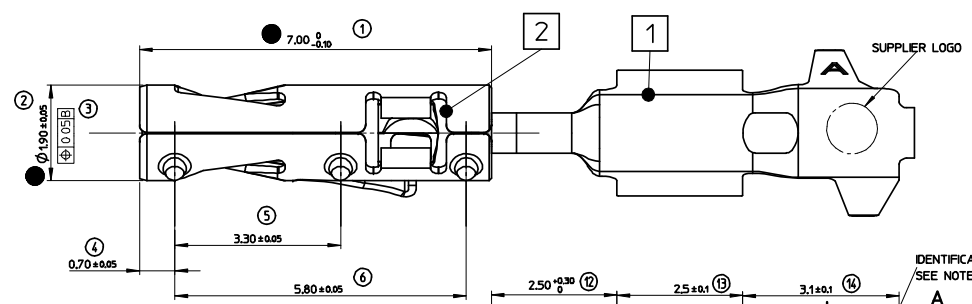
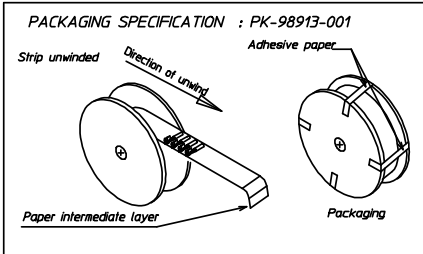
*Tooling specifications and manuals are found by selecting the products below. Crimp Height Specifications are then contained in the Application Tooling Specification document.*

**Global**

Description	Product #
FineAdjust™ Applicator	<a href="#">0638689100</a>
Extraction Tool	<a href="#">0638132400</a>
HAND CRIMP TOOL	<a href="#">0638119200</a>

This document was generated on 06/07/2010

**PLEASE CHECK [WWW.MOLEX.COM](http://WWW.MOLEX.COM) FOR LATEST PART INFORMATION**



**NOTE :**  
- MARKING "A" is used to identify "STANDARD" terminal  
- CRIMPING SPECIFICATION ACCORDING TO CS-64322-001

2	BOX TERMINAL	STAINLESS STEEL thickness=0.15 mm
1	BODY TERMINAL	high conductivity copper alloy thickness=0.2 mm
MARK	DESIGNATION	MATERIAL

(SKC) COTES CARACTERISTIQUES SPECIALES  
SPECIAL KEY CHARACTERISTICS

⊗ INDICATION DIMENSIONS S.P.C  
DENOTES S.P.C DIMENSIONS

⊗ INDICATION DIMENSIONS CRITIQUES  
DENOTES CRITICAL DIMENSIONS

● INDICATION DIMENSIONS FONCTIONNELLES  
DENOTES FUNCTIONAL DIMENSIONS

QUANTITE PAR FEUILLE INDIVIDUELLE  
QUANTITY PER INDIVIDUAL SHEET

⊗ 1 ⊗ 0 ● 4 (SKC) 0

0643221029	Sn	Sn		0.75	2.5	2.4	0.6	3.3	2.8	0.75	0.119
0643221219	Au 1.27μ MINI	Sn	Ni								
0643221039	Sn	Sn		0.50	2.3	2.2	0.6	3.1	2.6	0.75	0.117
0643221239	Au 1.27μ MINI	Sn	Ni								
0643221019	Sn	Sn		0.22 TO 0.44	2.0	1.7	0.6	3.1	2.6	0.75	0.112
0643221229	Au 1.27μ MINI	Sn	Ni								
PART NUMBER	CONTACT AREA	CRIMPING AREA	UNDERLAYER	CRIMPING RANGE (mm2)	A±0.2	B±0.2	rC <sup>+0.15</sup> <sub>-0.1</sub>	D±0.2	E±0.2	rF±0.1	WEIGHT (g)
			PLATING								

Revised Dwg  
EC NO: GZ008-0440  
DRAWN BY: JAUOU  
CHKD BY: FPARLARI  
APPROVAL: LKLEIR

2008/05/19  
2008/05/19  
2008/05/19

GENERAL TOLERANCES (UNLESS SPECIFIED)

	mm	INCH
4 PLACES	± 0.1	± 0.004
3 PLACES	± 0.15	± 0.006
2 PLACES	± 0.2	± 0.008
1 PLACE	± 0.3	± 0.012

ANGULAR ± 2°

DRAFT WHERE APPLICABLE MUST REMAIN WITHIN DIMENSIONS

DESCRIPTION

DIMENSION STYLE: MM ONLY

SCALE: 20:1

DESIGN UNITS: METRIC

FIRST ANGLE PROJECTION

TITLE: CP RCPT TRM 0.6

MATERIAL NO. SD-64322-001

MOLEX INCORPORATED

DOCUMENT NO. SD-64322-001

SHEET NO. 1 OF 1

THIS DRAWING CONTAINS INFORMATION THAT IS PROPRIETARY TO MOLEX INCORPORATED AND SHOULD NOT BE USED WITHOUT WRITTEN PERMISSION