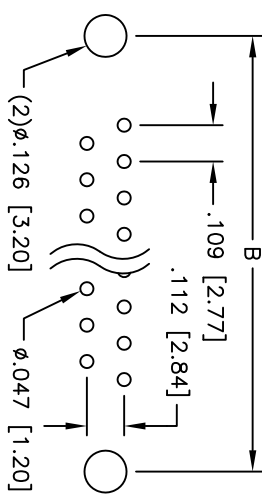
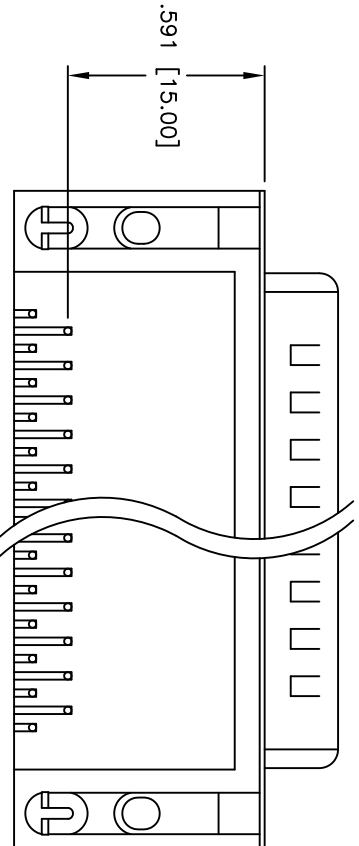
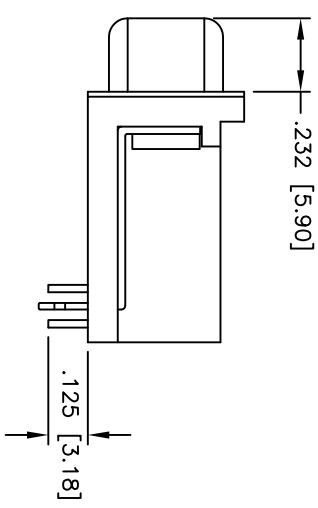
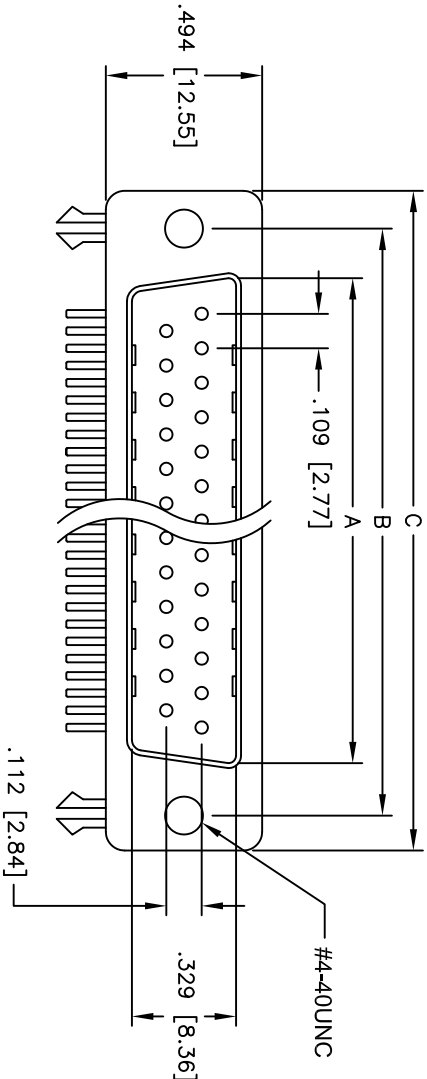


Rev	AWO #	Description	Date	Appr
-		RELEASED	4/20/05	

APPROVED: _____
 DATE: _____ TITLE: _____



DXXX	NO. OF CONTACTS	DIMENSIONS		
		A	B	C
DE09	9	.666 [16.92]	.984 [24.99]	1.213 [30.81]
DA15	15	1.004 [25.50]	1.312 [33.32]	1.541 [39.14]
DB25	25	1.534 [38.96]	1.852 [47.04]	2.088 [53.04]
DC37	37	2.182 [55.42]	2.500 [63.50]	2.729 [69.32]

PCB LAYOUT

SPECIFICATIONS:

Material: Insulator: Glass-Filled Thermoplastic PBT, rated UL 94V-0
 Contacts: Copper alloy
 Shell: Steel, Tin plated
 Plating: Gold flash over Nickel underplate overall

Electrical:

Operating voltage: 250 VAC max
 Current rating: 1 Amps max
 Contact resistance: 20 mohms max
 Insulation resistance: 1,000 Mohms min @ 500 VDC
 Dielectric withstanding voltage: 1,000 VAC for 1 minute
 Temperature Rating: Operating temperature: -55°C to +105°C

Environmental: Lead free, RoHS compliant
 Recommended soldering temp: 230°C for 5 seconds



ADAM TECH

909 Railway Avenue, Union, NJ 07083
 Phone: 908-687-5000 Fax: 908-687-5710

TITLE: .591 [15.00] FOOTPRINT D-SUB PLUG
 FORKED BOARDLOCKS, #4-40 INSERTS

UNLESS OTHERWISE SPECIFIED ALL DIMENSIONS ARE INCHES [MM] TOLERANCES: EXCEPT AS NOTED		DRAWN: SS		DATE: 4/20/05	
INCHES: .X ± .10 .XX ± .020 .XXX ± .015		HOLE: ØX ± .10 ØXXX ± .015 ØXXX ± .010		APPROVALS:	
CHECKED	APPROVED	SIZE: X	PART NO.: DXXX-PQ-R-4	SCALE: NTS	SHEET 1 OF 1