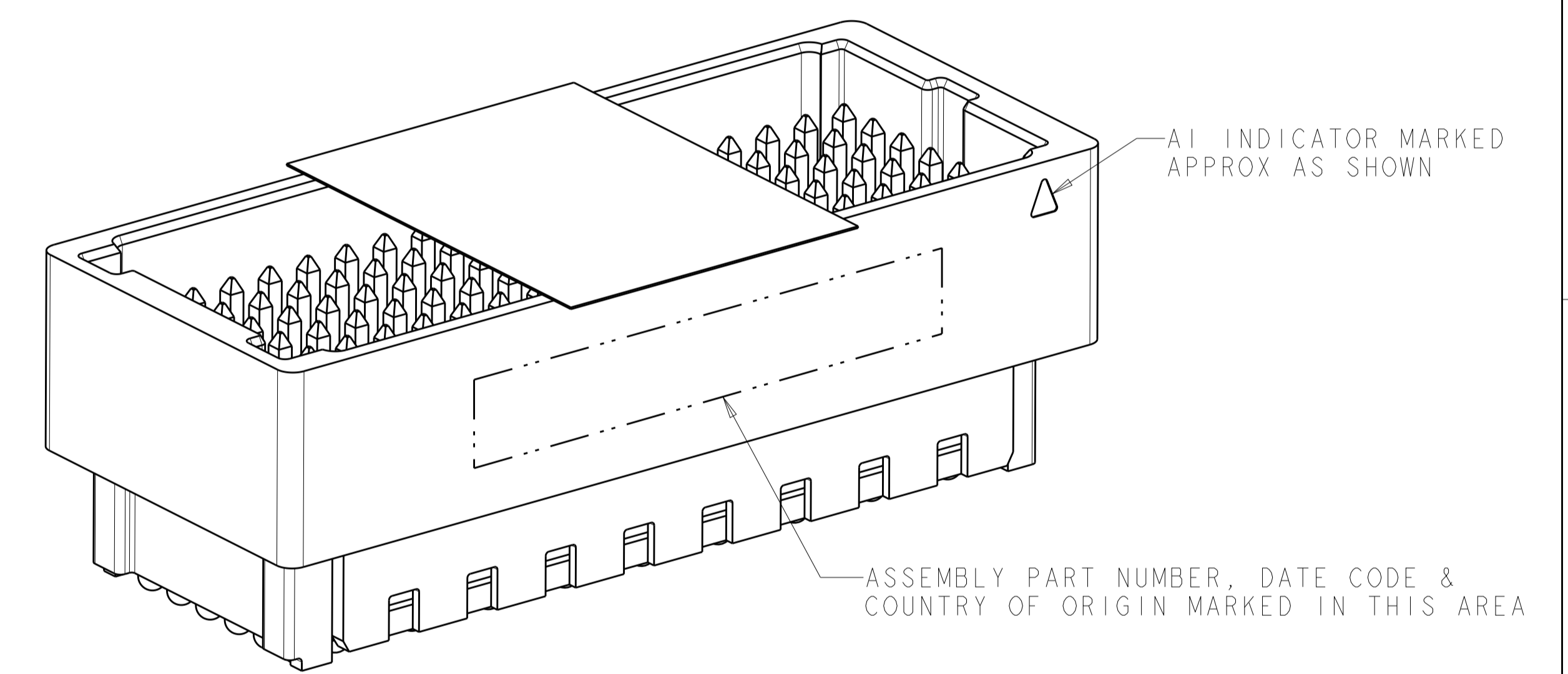
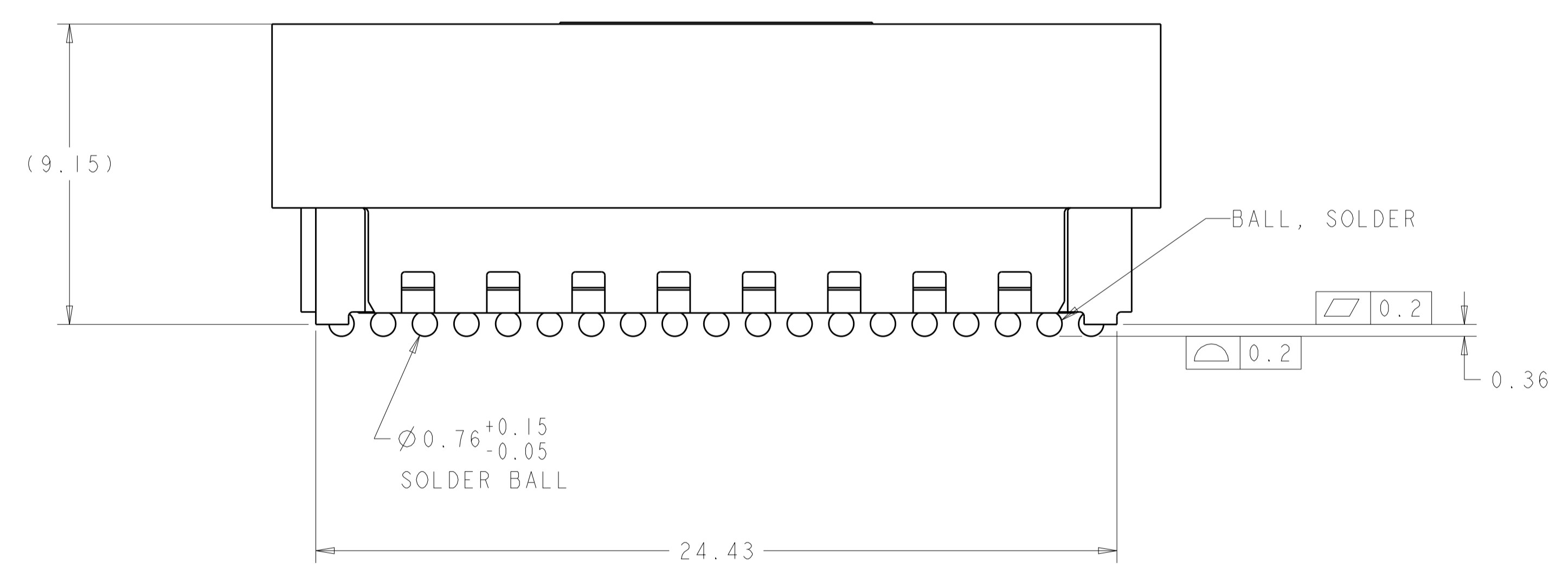
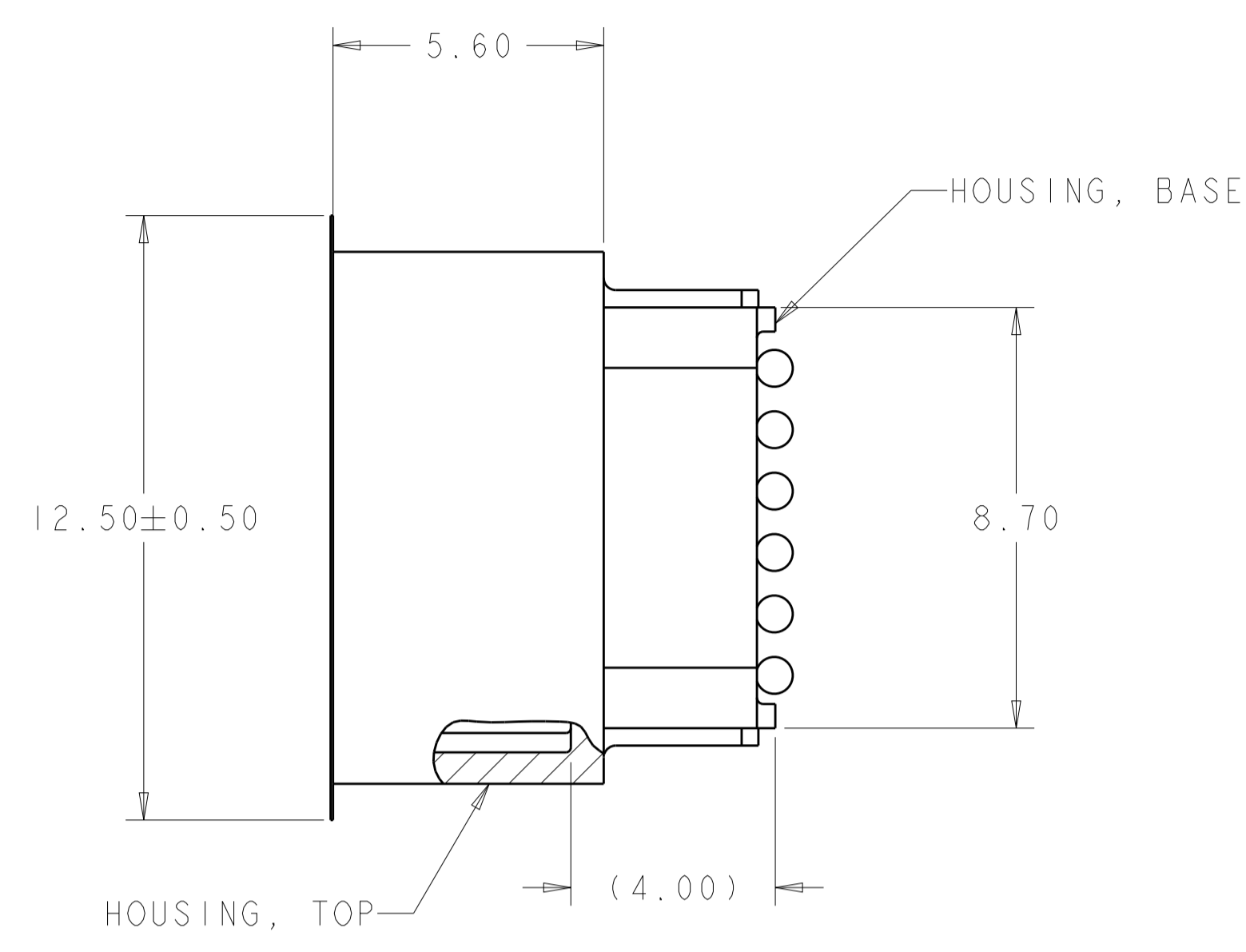
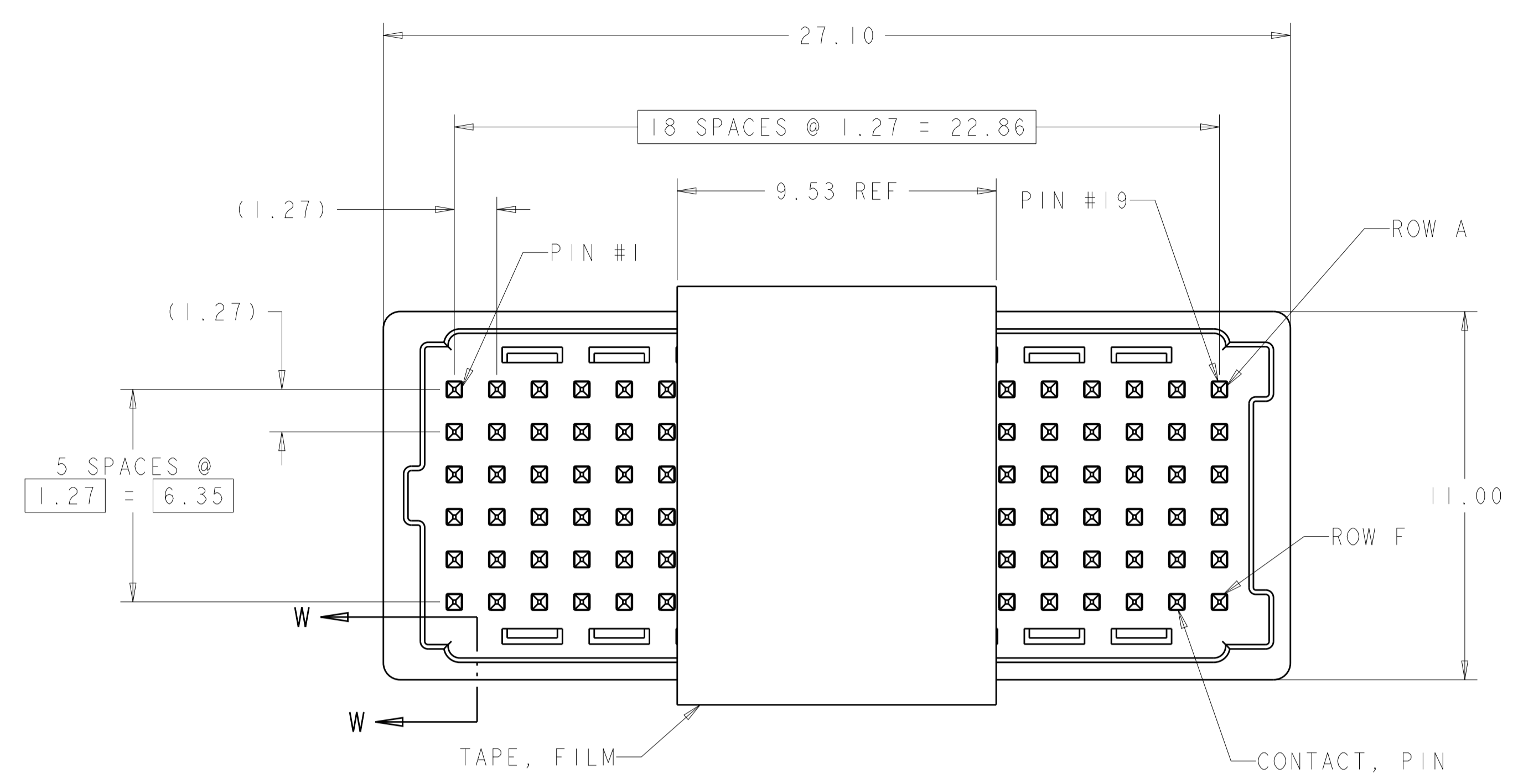
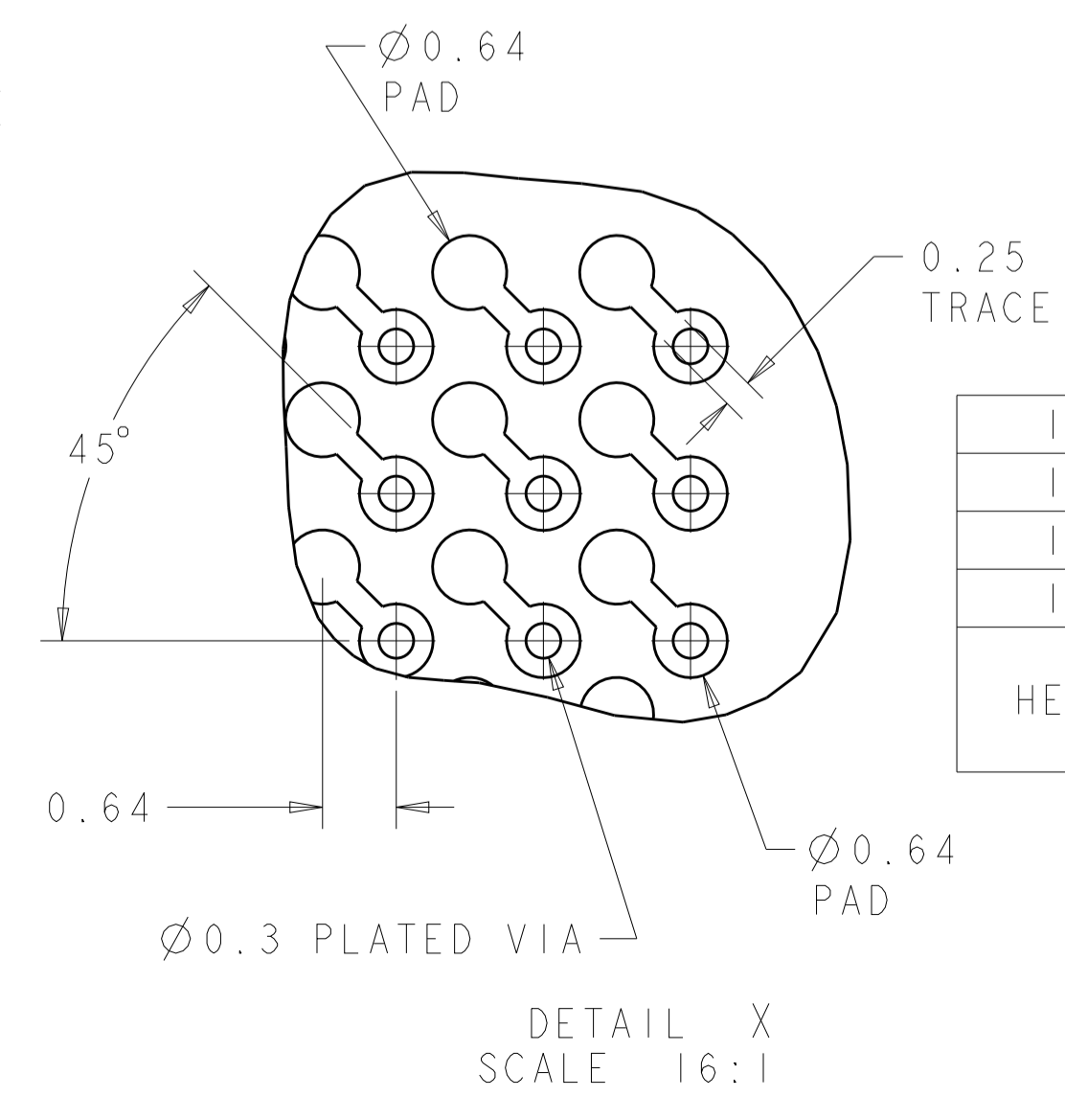
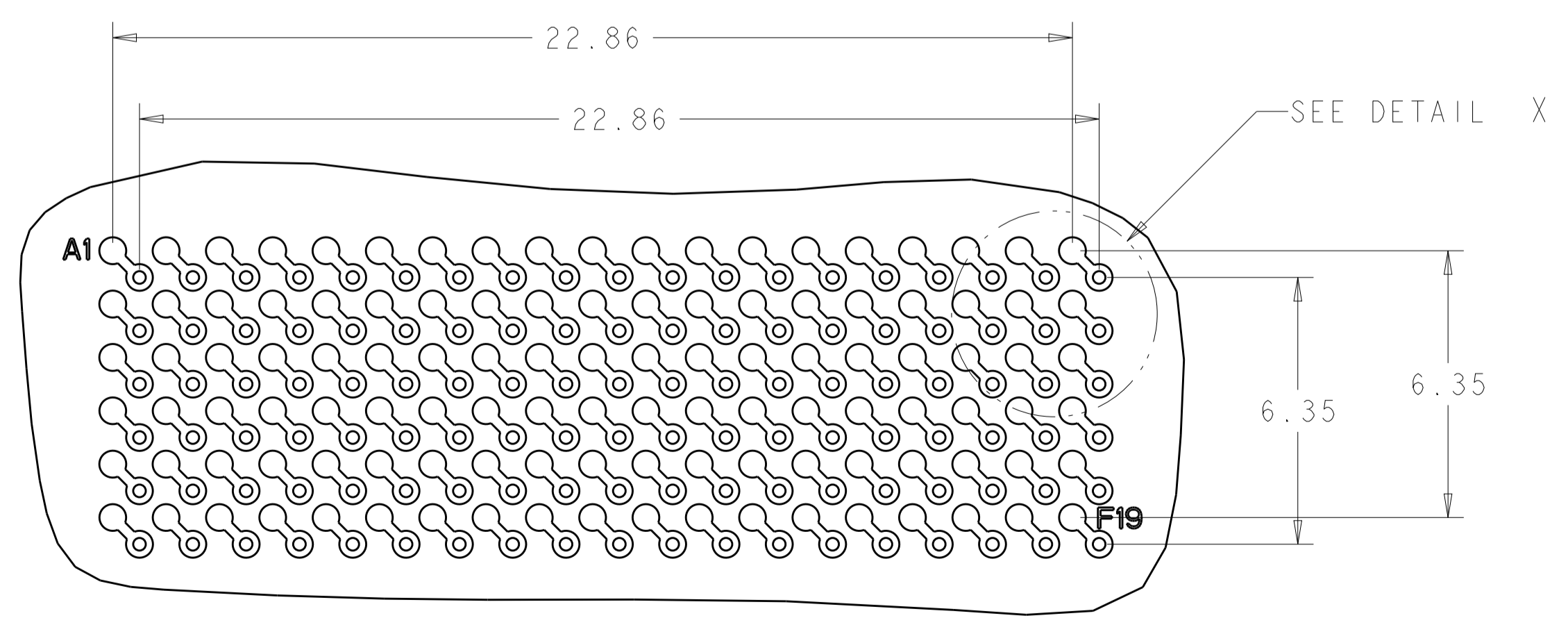


LOC		DIST		REVISIONS			
				REV	DESCRIPTION	DATE	BY
		J		REV PER ECO	13-005041	2-27-14	CT



- ⚠ MATERIAL: HOUSINGS; LCP, COLOR-NATURAL CONTACT; PHOSPHOR BRONZE SOLDER BALL; SEE TABLE TAPE, FILM; KAPTON WITH SILICON ADHESIVE
- ⚠ FINISH: CONTACT; GOLD (SEE TABLE) ON MATING AREA OVER NICKEL ON ENTIRE CONTACT.
- 3. PRODUCT IS PACKAGED ON TAPE AND REELED.



1-2102061-6	1-2102061-2	2102061-8	2102061-6	0.76 $\mu$ m	LEAD FREE PER SAC405	2102060-4
1-2102061-5	1-2102061-1	2102061-7	2102061-5	0.76 $\mu$ m	TIN LEAD	2102060-3
1-2102061-4	1-2102061-0	2102061-4	2102061-2	1.27 $\mu$ m	LEAD FREE PER SAC405	2102060-2
1-2102061-3	2102061-9	2102061-3	2102061-1	1.27 $\mu$ m	TIN LEAD	2102060-1
15mm STACK HEIGHT MATING CONNECTOR	18mm STACK HEIGHT MATING CONNECTOR	12mm STACK HEIGHT MATING CONNECTOR	10mm STACK HEIGHT MATING CONNECTOR	GOLD PLATING THICKNESS	SOLDER BALL MATERIAL	PART NUMBER

THIS DRAWING IS A CONTROLLED DOCUMENT.

DIMENSIONS: mm

TOLERANCES UNLESS OTHERWISE SPECIFIED:

0 PLC	±
1 PLC	±0.13
2 PLC	±
3 PLC	±
4 PLC	±
ANGLES	±

MATERIAL: FINISH:

Customer Drawing

DATE: 21 JUL 2009  
 CHK: K. DOWHOWER  
 APVD: K. DOWHOWER

PRODUCT SPEC: 108-2411  
 APPLICATION SPEC: 114-13279

SIZE: A1  
 CAGE CODE: 100779  
 DRAWING NO: 2102060

RESTRICTED TO: J

SCALE: 8:1 SHEET 1 OF 1 REV J