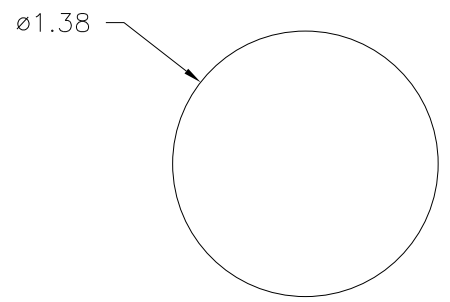


PART NAME: KNOB SCALE: 1:1 DATE: 12/12/68 DR. BY M.S.

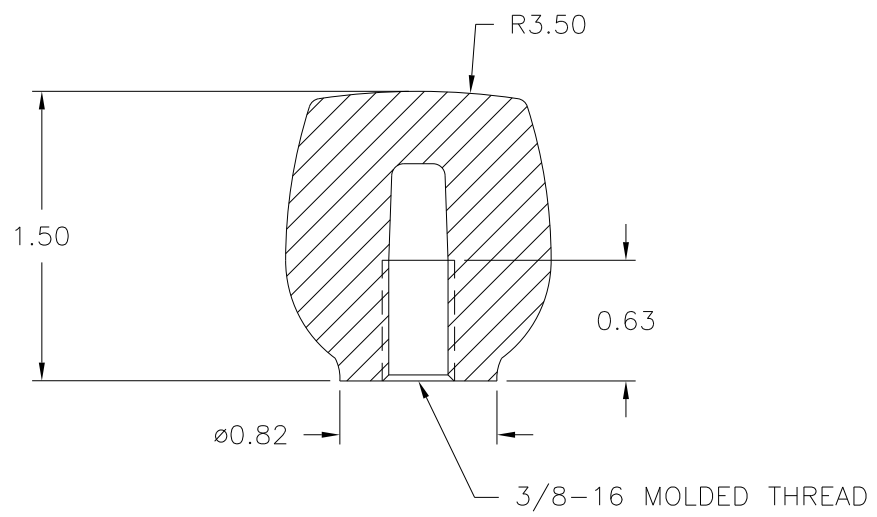
THIS DRAWING IS THE PROPERTY OF DAVIES MOLDING COMPANY, IS SUBMITTED SOLELY AS A DESIGN OR ENGINEERING PROJECT. WE ACCEPT NO RESPONSIBILITY WHATSOEVER FOR THE PRACTICAL APPLICATION OF THE PIECES MADE TO THIS DESIGN.



P/N 0040-A	
M ^{NO.}	0040
PINS	35-C&50-E
SHIMS	5/16
////////////////////	
ROTARY SET-UP	
THD. CORE	3/8-16 X .630 LG.



NOTE : Q.C. DEPT. MUST CHECK ABOVE PART(S) USING PROPER SIZE SCREW AFTER MOLDING PROCESS FOR THREADED FIT CONDITION



MATERIAL: #2535 PLENCO PHENOLIC
COLOR: BLACK

TOLERANCES: UNLESS OTHERWISE SPECIFIED	DO NOT SCALE DRAWING	-	RE-DID REDRAW	TL	11/2/99
DECIMALS: X.XXX ± .005 X.XX ± .015	MM: X.XX ± 0.15MM X.X ± 0.4MM	-	DWG UPDATED	HD	7/15/97
FRACTIONS ± 1/64	ANG. ± 1°	-	CAD REDRAW	HD	9/9/92
CHANGES					