

PLEASE CHECK WWW.MOLEX.COM FOR LATEST PART INFORMATION

Part Number: **0510900500**
Status: **Active**
Description: 2.00mm (.079") Pitch Mi II™ System Wire-to-Board Crimp Housing, Single Row, 5 Circuits

Documents:

3D Model	Product Specification PS-51090-009 (PDF)
Drawing (PDF)	Product Specification PS-51090-016 (PDF)
Product Specification PS-51090-003 (PDF)	Product Specification PS-51090-017 (PDF)
Product Specification PS-51090-004 (PDF)	Product Specification PS-53358-001 (PDF)
Product Specification PS-51090-005 (PDF)	Product Specification PS-55533-003 (PDF)
Product Specification PS-51090-007 (PDF)	RoHS Certificate of Compliance (PDF)

Agency Certification

CSA	LR19980
UL	E29179

General

Product Family	Crimp Housings
Series	<u>51090</u>
Product Name	Mi II™

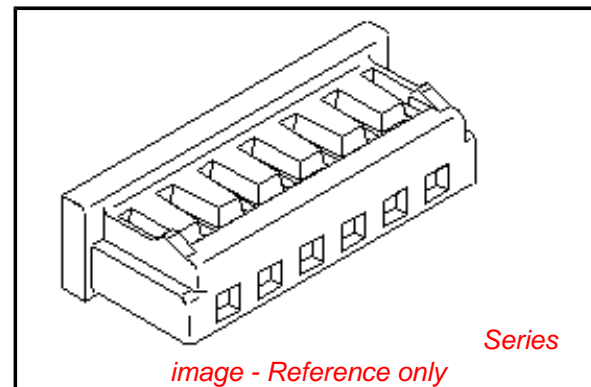
Physical

Circuits (maximum)	5
Color - Resin	Natural
Flammability	94V-0
Gender	Female
Glow-Wire Compliant	No
Material - Resin	Polyester
Number of Rows	1
Packaging Type	Bag
Panel Mount	No
Pitch - Mating Interface (in)	0.079 In
Pitch - Mating Interface (mm)	2.00 mm
Stackable	No
Temperature Range - Operating	-40°C to +105°C

Material Info

Reference - Drawing Numbers

Product Specification	PS-51090-003, PS-51090-004, PS-51090-005, PS-51090-007, PS-51090-009, PS-51090-016, PS-51090-017, PS-53358-001, PS-55533-003, RPS-51089-006, RPS-51090-001, RPS-51090-002, RPS-51090-005, RPS-51090-008, RPS-51090-010, RPS-51090-012, RPS-51090-013, RPS-51090-014, RPS-51090-015, RPS-51090-017, RPS-51090-018, RPS-51090-019, RPS-51090-021, RPS-51090-022, RPS-51090-026, RPS-52484-002, RPS-52969-004, RPS-52969-005, RPS-52969-006, RPS-53324-001, RPS-53358-001, RPS-54111-005
Sales Drawing	SD-51090-**00



EU RoHS

ELV and RoHS Compliant
REACH SVHC Contains SVHC: No
Halogen-Free Status
Not Reviewed

China RoHS



Need more information on product environmental compliance?

Email productcompliance@molex.com
 For a multiple part number RoHS Certificate of Compliance, [click here](#)

Please visit the [Contact Us](#) section for any non-product compliance questions.

Search Parts in this Series

51090Series

Mates With

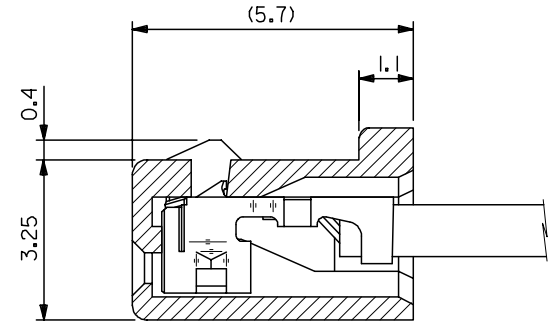
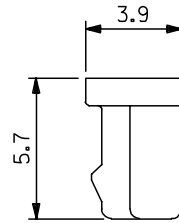
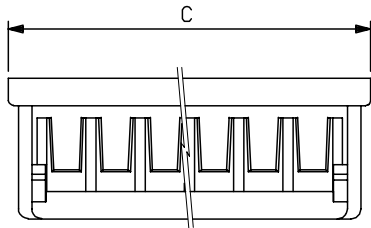
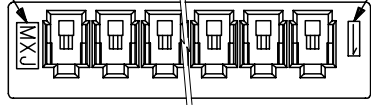
55460 , 53324 , 53325

Use With

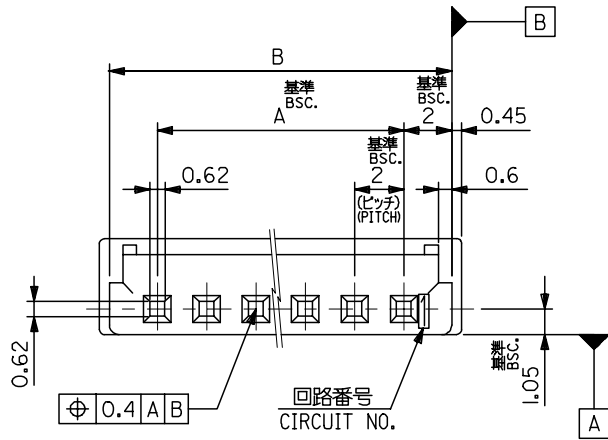
50212 Crimp Terminals

トレードマーク
TRADE MARK.

回路番号
CIRCUIT NO.



ターミナル装着状態図
FIGURE OF TERMINAL WHEN ASSEMBLED



32.9	32	28	51090-1500	15
30.9	30	26	-1400	14
28.9	28	24	-1300	13
26.9	26	22	-1200	12
24.9	24	20	-1100	11
22.9	22	18	-1000	10
20.9	20	16	-0900	9
18.9	18	14	-0800	8
16.9	16	12	-0700	7
14.9	14	10	-0600	6
12.9	12	8	-0500	5
10.9	10	6	-0400	4
8.9	8	4	-0300	3
6.9	6	2	51090-0200	2
C	B	A	ENG. NO.	* T CKT.

注記 NOTES

- 適合ターミナル: 50212-8*00, 50372-8*00, 59354-8***
APPLICABLE TERMINAL
- 嵌合相手: 53324-***0, 53325-***0, 53358-***0, 501708-0801
MATES WITH
- 材質: PBT, UL94V-0
MATERIAL: PBT, UL94V-0

GENERAL TOLERANCES (UNLESS SPECIFIED)		DIMENSION STYLE MM ONLY		SCALE ---	DESIGN UNITS METRIC	THIRD ANGLE PROJECTION	
10 UNDER	±0.2	DRAWN BY	DATE	TITLE 2.0 W/B CONN REC HSG			
10 OVER 30 UNDER	±0.25	M. FUJIKURA	'90/10/31	APPROVED BY			
30 OVER	±0.3	H. HIRAMOTO	'92/09/04	DATE			
ANGULAR	±3 °	M. FUKUSHIMA	'92/09/04	MATERIAL NO.			
DRAFT WHERE APPLICABLE MUST REMAIN WITHIN DIMENSIONS		SEE CHART		DOCUMENT NO. SD-51090-***00		SHEET NO. 1 OF 1	
THIS DRAWING CONTAINS INFORMATION THAT IS PROPRIETARY TO MOLEX INCORPORATED AND SHOULD NOT BE USED WITHOUT WRITTEN PERMISSION							