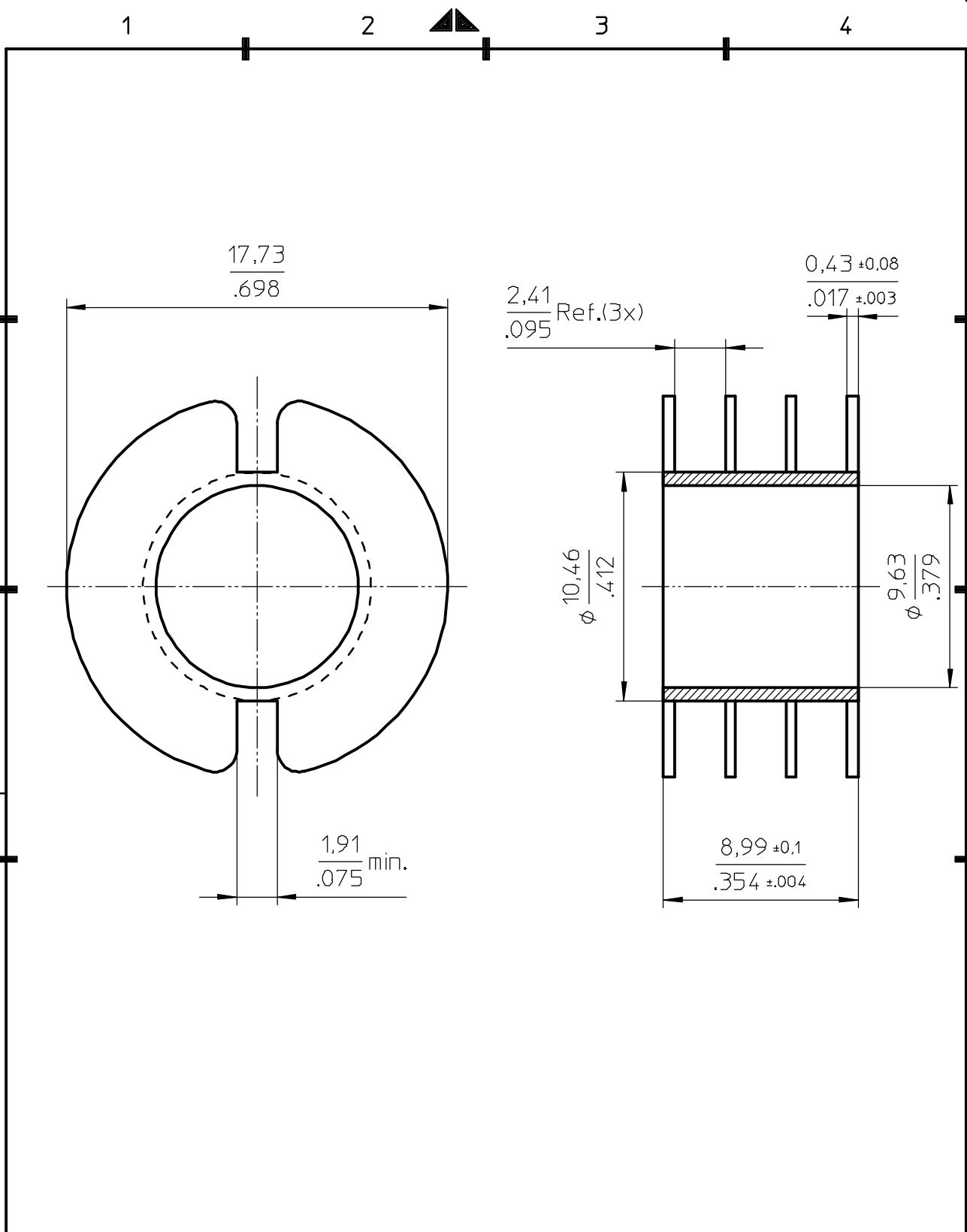
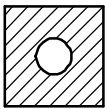
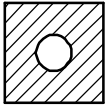


FERROXCUBE



Coil former material: Delrin 500 (POM).

UL file number: E66288 - UL94HB.

max. operating temp: 130°C

CP-P22/13-3S-A

4335 000 26121

01-06-01

02-11-04

NAME NAAM	JON	SUPERS. VERV	1	SH BL	SH BL	112 - 001		A4
MPA	CHECK CONTR.	DAT.	Property of Eigendom van		© FERROXCUBE 2002			