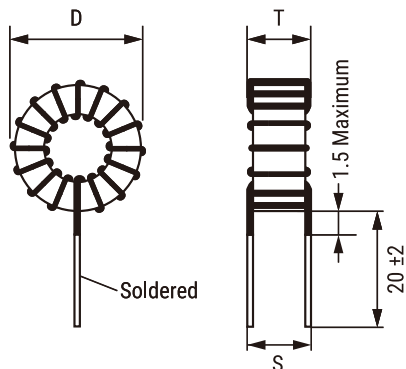


KEMET, SN, AC Line Filters, Normal Mode, 48 uH, MIN



| Dimensions | |
|------------|-------------|
| D | 13mm MAX |
| T | 8mm MAX |
| LL | 20mm +/-2mm |
| S | 6mm NOM |

| Packaging Specifications | |
|--------------------------|------|
| Packaging: | Bulk |
| Packaging Quantity: | 4800 |
| Weight: | 3 g |

| General Information | |
|---------------------|------------------------------|
| Series: | SN |
| Style: | Through-Hole |
| Features: | Compact Size |
| RoHS: | Yes |
| Miscellaneous: | 22 (K) Temperature Rise Max. |

| Specifications | |
|-----------------------|-----------------|
| Inductance: | 48 uH (0.1 MHz) |
| Inductance Tolerance: | MIN |
| Temperature Range: | -25/+105C |
| DC Resistance: | 58 mOhms |