

MICRO ELECTRONICS

M66T SIMPLE MELODY GENERATOR

DESCRIPTION

The M66T series are low power CMOS LSI in TO-92 package, designed for the application of melody generation. The built in oscillator and strong driving capability minimise the external components required. A maximum of 128 notes can be programmed and repeat mode. It is suitable for use in melody cards, toys and other similar applications.

FEATURES

- Wide range of supply voltage (1.2 to 3.6V)
- Maximum of 128 notes
- Built - in RC oscillator
- Direct driving capability to 8 ohm speaker

ABSOLUTE MAXIMUM RATINGS

Supply Voltage	0 to 3.6V
Operating Temperature	0 to 70°C
Storage Temperature	-55 to +125°C



MICRO ELECTRONICS LTD.

38, Hung To Road, Microtron Building, Kwun Tong, Kowloon, Hong Kong.
Kwun Tong P.O. Box 69477 Hong Kong. Fax No. 2341 0321 Telex:43510 Micro Hx. Tel: 2343

REV A
page 1 of 2

M66T

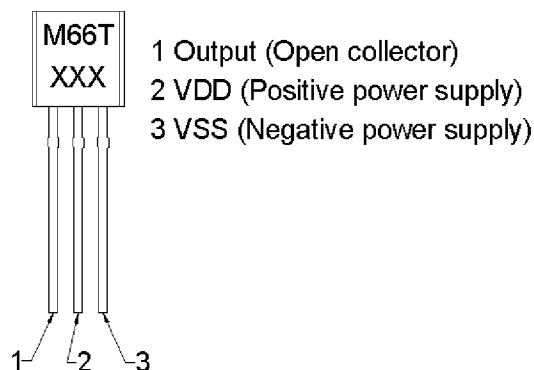
SIMPLE MELODY GENERATOR

ELECTRICAL CHARACTERISTICS

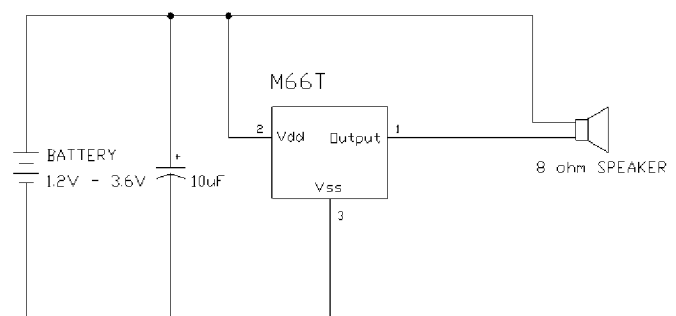
(V_{dd}=1.5V V_{ss}=0V T_a=25°C unless otherwise specified)

PARAMETER	SYMBOL	MIN	TYP	MAX	UNIT	CONDITIONS
Operating Voltage	V _{dd}	1.2	1.5	3.6	V	
Operating Current	I _{dd}		8		mA	Playing output open
Output Current (Open Collector)	I _{oh}		75	100	mA	
Oscillating Frequency	F _{osc}	63	90	117	KHz	
Oscillating Start Voltage	V _{str}	1.3			V	
Oscillating Hole Voltage	V _h		1.2		V	

PIN ASSIGNMENT (TO-92)



TYPICAL APPLICATION CIRCUIT



MICRO ELECTRONICS LTD.

38, Hung To Road, Microtron Bulding, Kwun Tong, Kowloon, Hong Kong.

Kwun Tong P.O. Box 69477 Hong Kong. Fax No. 2341 0321 Telex:43510 Micro Hx. Tel: 2343 0181-5

REV A

page 2 of 2