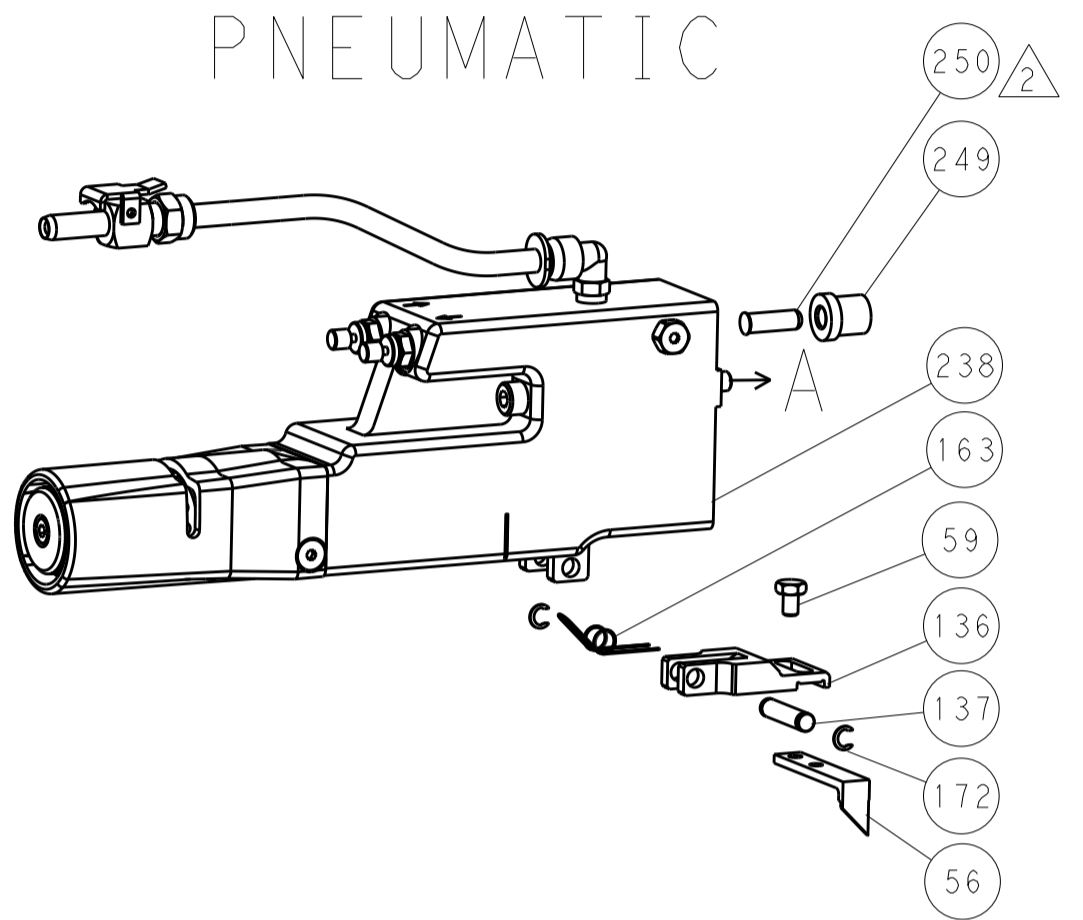


LOC		DIST		REVISIONS			
A	66	P	LTM	DESCRIPTION	DATE	OWN	APVD
		-		SEE SHEET 1			

FEED TYPE MECHANICAL



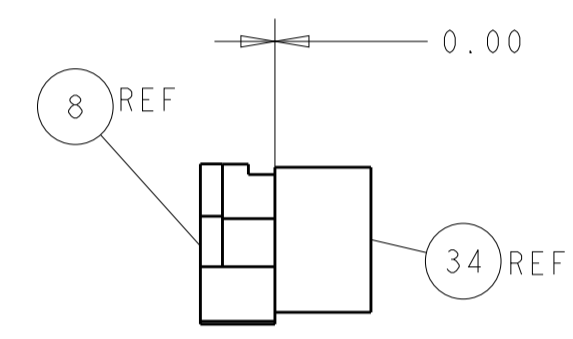
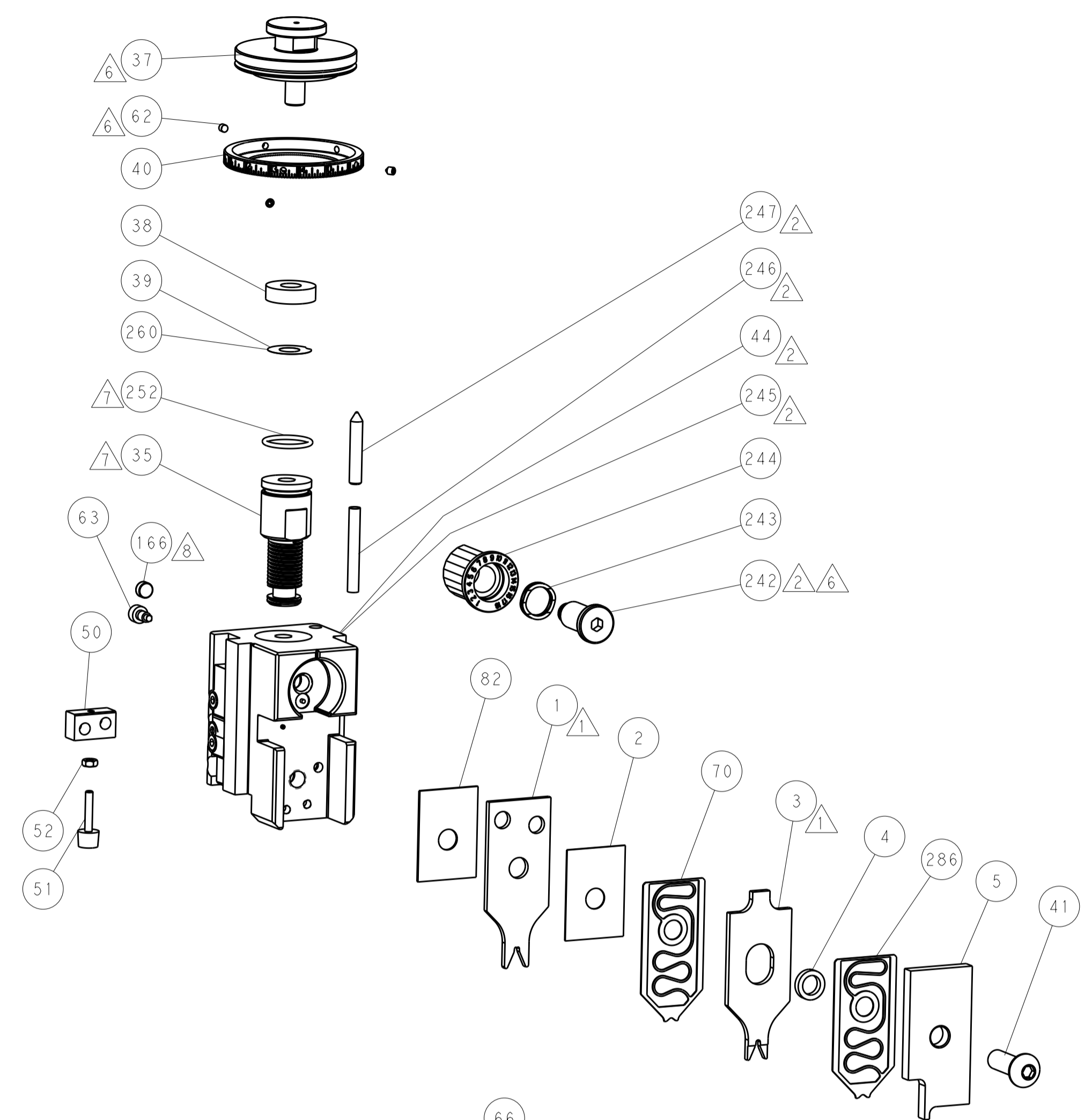
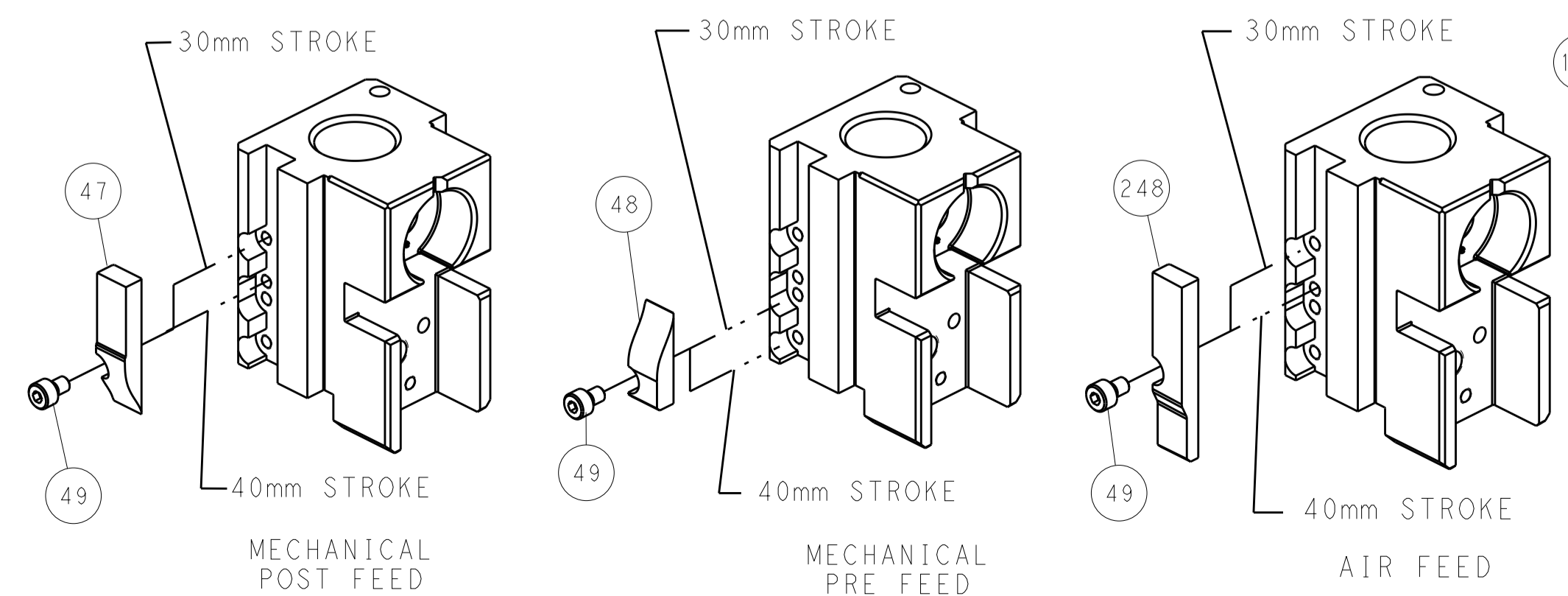
PNEUMATIC



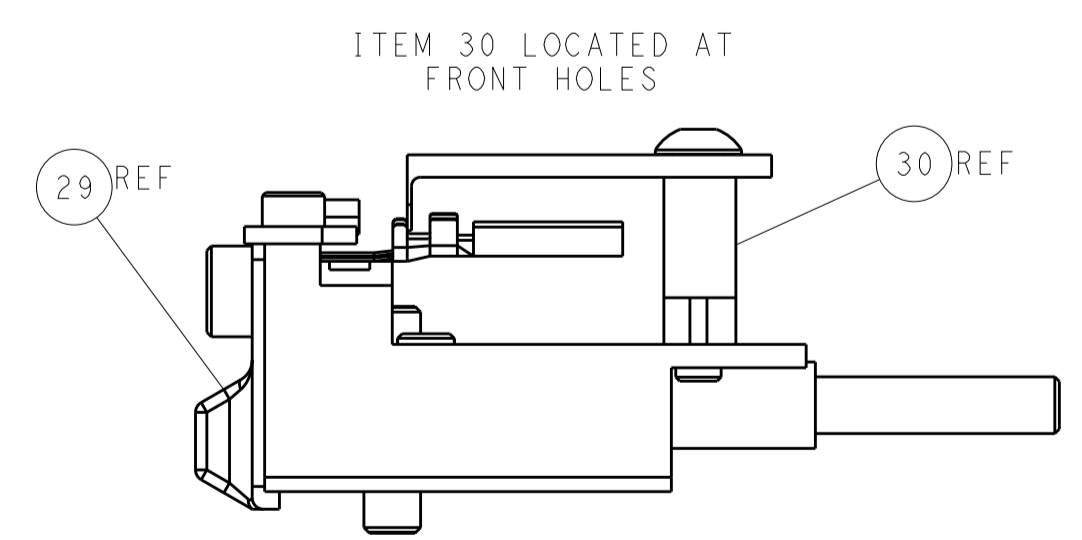
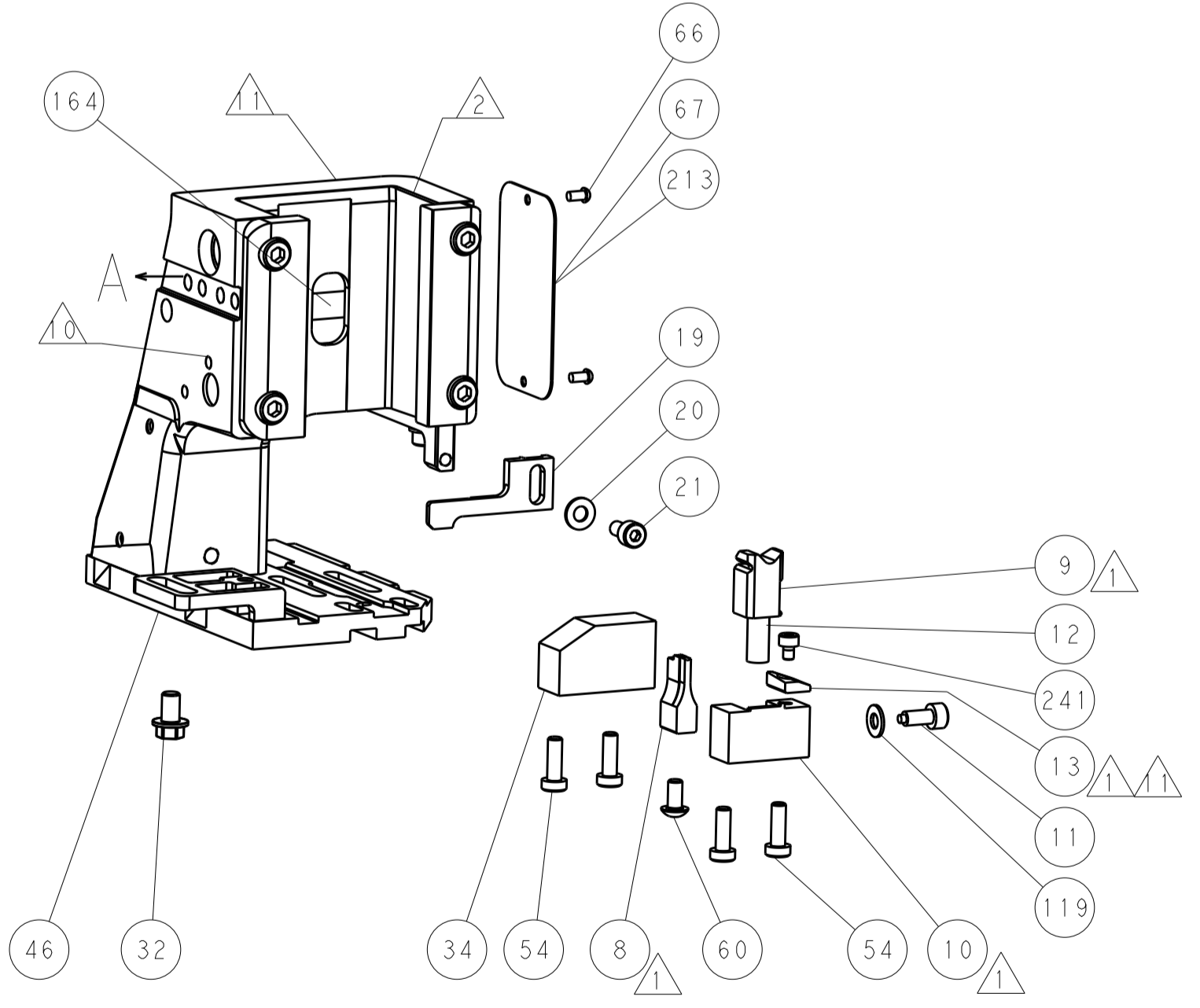
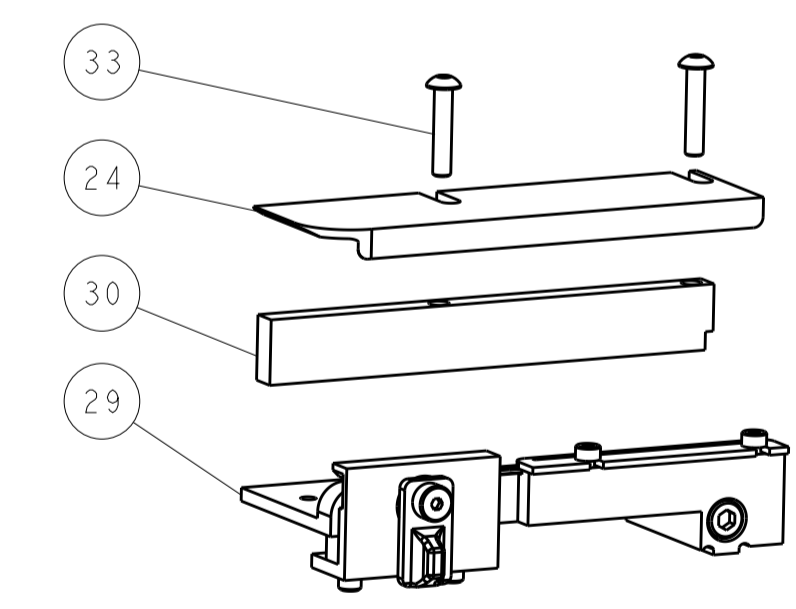
SERVO LATCH PLATE



CAM POSITIONS



TERMINAL SUPPORT LOCATION



ITEM 30 LOCATED AT FRONT HOLES

FEED TRACK POSITION GUIDE BY INSULATION BARREL

ATLANTIC VERSION
 Shown on sheets 1 of 4 & 2 of 4
 (Pacific version shown on sheets 3 of 4 & 4 of 4)

DIMENSIONS:		TOLERANCES UNLESS OTHERWISE SPECIFIED:		OWN: R. KNEPPER 04-Oct-13		TE Connectivity	
mm	0 PLC ±	1 PLC ±	2 PLC ±	3 PLC ±	4 PLC ±	5 PLC ±	Harrisburg, PA 17105-3608
MATERIAL:		FINISH:		CHK: G. BAILEY 04-Oct-13		NAME: Ocean Side Feed Applicator	
				APVD: M. CLIFFORD 04-Oct-13		PRODUCT SPEC:	
				APPLICATION SPEC:		SIZE: CAGE CODE: DRAWING NO:	
				WEIGHT:		RESTRICTED TO:	
				Customer Accessible Production Drawing		SCALE: 1:2 SHEET 2 OF 4 REV C2	

PACIFIC VERSION TERMINATOR INTERFACE ADAPTER	PART NUMBER	REVISION	DESCRIPTION	FEED TYPE	APPLICATOR STYLE CONVERSION CHART								
					CONVERT TO	PART NUMBERS REQUIRED							
					PNEUMATIC FEED	2119950-1	1338685-1	5-18022-5	2119641-2	2119799-1	2063440-1	SERVO LATCH PLATE	2119951-1
2-2266103-1	C	FINE CRIMP HEIGHT ADJUST	MECHANICAL	SMART APPLICATOR	2161326-1	-	8-2266103-4	-	-	-	-	-	-
2-2266103-2	C	FINE CRIMP HEIGHT ADJUST	PNEUMATIC	MECHANICAL FEED	2119949-1	1338685-1	5-18022-5	2119653-2	-	-	-	-	-
2-2266103-5	C	FINE CRIMP HEIGHT ADJUST	SERVO LATCH PLATE	SERVO LATCH PLATE	2119951-1	-	8-2266103-5	1901094-3	-	-	-	-	-
2-2266103-7	C	FINE CRIMP HEIGHT ADJUST	NONE	SMART APPLICATOR	2161326-1	-	8-2266103-4	-	-	-	-	-	-
7-2266103-7	C	CRIMP TOOLING KIT	-	MECHANICAL FEED	2119949-1	1338685-1	5-18022-5	2119653-2	-	-	-	-	-
7-2266103-8	C	APPLICATOR CONVERSION KIT	-	PNEUMATIC FEED	2119950-1	1338685-1	5-18022-5	2119641-2	2119799-1	2063440-1	-	-	-

LOC	DIST	REVISIONS			
A	66	REV	DATE	BY	APPD

APPLICATOR DATA		
CRIMP WIRE	SIZE 2.29 mm [.090]	TYPE F
INSUL	2.03 mm [.080]	O
APPLICATOR INSTRUCTIONS 408-10389		

APPLICATOR CONVERSION KITS	
PART NUMBER	INSULATION DIAMETER RANGE
7-2266100-8	Ø 3.05-3.81mm [.120-.150]
7-2266101-8	Ø 2.67-3.02mm [.105-.119]
7-2266102-8	Ø 2.26-2.64mm [.089-.104]
7-2266103-8	Ø 1.93-2.24mm [.076-.088]
7-2266104-8	Ø 1.60-1.91mm [.063-.075]

TERMINAL DATA: DEUTSCH TERMINAL TE CRIMP SPECIFICATION			
TERMINAL NAME: STAMPED CONTACT PIN SIZE 16			
WIRE STRIP LENGTH	INSULATION DIAMETER RANGE		
3.81-5.09 mm [.150-.200 IN]	Ø 1.93-2.24 mm [.076-.088 IN]		
TERMINAL APPLICATION SPECIFICATION	114-151000		
TERMINALS APPLIED			
TE TERMINAL	DEUTSCH TERMINAL	TE TERMINAL	DEUTSCH TERMINAL
286503-1	1060-16-0122	286503-2	1060-16-0144
286503-3	1060-16-0177	286503-7	1060-16-0722
286503-8	1060-16-0744	286503-9	1060-16-0777
1-286503-1	1060-16-0977	1-286503-2	1060-16-0988
1-286503-4	AT60-16-0122	1-286503-5	AT60-16-0144

TERMINAL DATA: DEUTSCH TERMINAL TE CRIMP SPECIFICATION			
TERMINAL NAME: STAMPED CONTACT SOCKET SIZE 16			
WIRE STRIP LENGTH	INSULATION DIAMETER RANGE		
3.81-5.09 mm [.150-.200 IN]	Ø 1.93-2.24 mm [.076-.088 IN]		
TERMINAL APPLICATION SPECIFICATION	114-151000		
TERMINALS APPLIED			
TE TERMINAL	DEUTSCH TERMINAL	TE TERMINAL	DEUTSCH TERMINAL
286504-1	1062-16-0122	286504-2	1062-16-0144
286504-3	1062-16-0177	286504-7	1062-16-0722
286504-8	1062-16-0744	286504-9	1062-16-0777
1-286504-1	1062-16-0977	1-286504-2	1062-16-0988
1-286504-5	AT62-16-0122	1-286504-6	AT62-16-0144

WIRE SIZE	CRIMP HEIGHT mm [INCH]	CRIMP HEIGHT REFERENCE SETTING
14 AWG	1.40+0.03/-0.05 [.055+/.001/- .002]	4.6
2.00mm2	1.40+0.03/-0.05 [.055+/.001/- .002]	4.6
1.50mm2	1.35+0.03/-0.05 [.053+/.001/- .002]	5.2
16 AWG	1.27+0.03/-0.05 [.050+/.001/- .002]	6.0
1.00mm2	1.27+0.03/-0.05 [.050+/.001/- .002]	6.0
18 AWG	1.24+0.03/-0.05 [.049+/.001/- .002]	6.2
0.75mm2	1.22+0.03/-0.05 [.048+/.001/- .002]	6.4

***WARNING**
ON INSTALLATION, SET WIRE DISC, ITEM 40 TO LARGEST WIRE SIZE SETTING. USE OF SETTINGS BELOW MINIMUM REQUIRED CRIMP HEIGHT SETTING WILL CAUSE DAMAGE TO CRIMP TOOLING.

- RECOMMENDED SPARE PARTS
- GREASE BEARING SURFACES LIGHTLY
- LUBRICATE DAILY PER THE APPLICATOR INSTRUCTION SHEET SUPPLIED WITH THE APPLICATOR.
- APPLICATOR SPECIFIC DATA TO BE ENTERED INTO BLANK MEMORY CHIP AT ASSEMBLY. SEE BELOW FOR PART NUMBER:
MECHANICAL FEED WITH "SMART APPLICATOR" CONVERSION: 8-2266103-4
PNEUMATIC FEED WITH "SMART APPLICATOR" CONVERSION: 8-2266103-4
SERVO FEED WITH "FINE CRIMP HEIGHT ADJUST": 8-2266103-5
- ADJUSTMENT OF THE STRIPPER MAY BE REQUIRED WHEN MOVING THE APPLICATOR BETWEEN BENCH AND LEADMAKER APPLICATIONS.
- APPLY PART NUMBER 1-23419-5 LOCTITE TO THREADS OF ITEM 62.
APPLY PART NUMBER 2-23419-6 LOCTITE TO THREADS OF ITEM 242.
- GREASE THREADS, GROOVE AND O-RING ON ITEMS 139 & 152.
- MAGNET MUST BE ORIENTED CORRECTLY IN ORDER TO PROPERLY ACTUATE THE COUNTER.
- CRIMP HEIGHT REFERENCE SETTING WAS THE SETTING USED WHEN THE APPLICATOR WAS QUALIFIED AT THE FACTORY. ADJUSTMENT MAY BE NECESSARY WHEN RUNNING APPLICATOR IN THE FIELD.
- SPARE FEED CAM STORAGE LOCATION REFER TO INSTRUCTION SHEET FOR ADDITIONAL INFORMATION.
- TO CONVERT THE APPLICATOR TO A NON-CARRIER CUTTING STYLE, REMOVE ITEM 13 AND ATTACH TO THE LOCATION ON BACK SIDE OF THE HOUSING. REFER TO INSTRUCTION SHEET FOR ADDITIONAL INFORMATION.
- SEE APPROPRIATE APPLICATOR LOG SHEETS FOR APPLIED TERMINALS, WIRE RANGE AND MEMORY CHIP.
- TERMINAL LUBRICANT IS RECOMMENDED.

-	-	1	1	1	1	2119791-9	DEPRESSOR, WIRE	286
-	-	1	1	1	1	2119782-1	FINE ADJUST HEAD ASM, PACIFIC STYLE	251
-	-	-	-	1	-	2119640-1	PUSH ROD, AIR FEED	250
-78	-77	-27	-25	-22	-21	PART NO	DESCRIPTION	ITEM NO

PACIFIC VERSION
Shown on sheets 3 of 4 & 4 of 4
(Atlantic version shown on sheets 1 of 4 & 2 of 4)

-	-	-	-	1	-	2079988-1	BUSHING, LCH5-12, MISUMI	249	
-	-	1	1	1	1	1-22279-3	SPRING, COMPRESSION	246	
-	-	1	1	1	1	2119082-9	CAM, SNAIL, INSULATION ADJUSTMENT	244	
-	-	1	1	1	1	2079764-1	WASHER, WAVE SPRING, CREST-TO-CREST	243	
-	-	1	1	1	1	2119083-1	RETAINER, INSULATION DIAL	242	
-	-	1	1	1	1	7-18023-7	SCR, SKT HD CAP M3 X 4.0	241	
-	-	-	2	-	-	2168400-6	SHCS, LOW HEAD, RoHS, M5 X 16	240	
-	-	-	-	-	1	2119580-1	MECHANICAL FEED ASSEMBLY	239	
-	-	-	-	1	-	2063440-1	AIR FEED MODULE	238	
-	-	-	1	-	-	2119740-2	TAG IDENTIFICATION	213	
-	-	-	1	-	-	1901094-3	SPACER, FEEDER	198	
-	-	-	-	2	-	21045-3	RING, RETAIN, EXTERN, 3/16 CRESCENT	172	
-	-	1	1	1	1	994969-1	MAGNET, RARE EARTH HIGH ENERGY	166	
-	-	REF	REF	REF	REF	994970-2	COUNTER, MAGNETIC	164	
-	-	-	-	1	-	240638-1	SPRING, FEED FINGER	163	
-	-	1	1	1	1	8-21084-1	O-RING, .801 ID, .070 DIA. MAT.	152	
-	-	-	-	1	-	2119641-2	FEED CAM, AIR FEED	151	
-	-	1	1	1	1	2119798-2	DETENT PIN	145	
-	-	1	1	1	1	2079383-8	SCR, BHSC, RoHS (M4 X 16)	144	
-	-	4	4	4	4	2168400-5	SHCS, LOW HEAD, RoHS, M4 X 20	143	
-	-	-	-	-	1	2119653-2	FEED CAM, POST FEED	142	
-	-	1	1	1	1	1-2119656-0	APPLICATOR BASIC ASSEMBLY, SF	141	
-	-	1	1	1	1	2119650-1	RAM, ASIAN STYLE, SIDE FEED	140	
-	-	1	1	1	1	2119092-2	BOLT, ADJUSTMENT	139	
-	-	-	-	1	-	3-23627-7	PIN, RETAIN, GRVD, 3/16 X .854	137	
-	-	-	-	1	-	2119799-1	HOLDER, FEED FINGER, AF	136	
-	-	-	-	REF	-	-	SEE NOTE 4	MEMORY CHIP, PROGRAMMED	135
-	-	-	1	-	-	1633743-1	SERVO FEED LATCH ASM	133	
-	-	1	1	1	1	1-18028-2	WASHER, FLAT, REG M4	119	
-	-	-	REF	-	-	2119944-1	FEED FINGER ASSEMBLY,SF	117	
-	-	1	1	1	1	2119955-1	ASSY, LUBRICATOR, SIDE FEED	113	
1	-	1	1	1	1	455888-7	SPACER, CRIMPER	82	
1	-	-	-	-	-	2266103	PRINT, APPLICATOR LOG SHEET	72	
-	-	1	1	1	1	2119956-1	DOCUMENTATION PACKAGE	71	
-	-	1	1	1	1	2119791-9	DEPRESSOR, WIRE	70	
-	-	1	-	1	1	2119740-1	TAG IDENTIFICATION	67	
-	-	2	2	2	2	2168078-1	SCREW, DRIVE, RH, RoHS, 2 x .188	66	
-	-	1	1	1	1	2119793-1	LIMITER, ADJUSTMENT BOLT	63	
-	-	3	3	3	3	992763-5	SCR, SET, SOC, CONE POINT, M3 x 4.0	62	
-	-	-	-	1	1	5-18022-5	SCR, HEX HD CAP, M4 X 6.0	59	
-	-	-	-	1	1	1338685-1	PAWL, FEED	56	
-	-	2	2	2	2	1-2168083-0	SCR, SKT HD CAP, RoHS, M4 X 10	53	
-	-	1	1	1	1	5018030-1	NUT, HEX, REG, RoHS, M3	52	
-	-	1	1	1	1	811242-5	BUMPER, HOLD DOWN	51	
-	-	1	1	1	1	690753-2	SPACER, TONKER	50	
-	-	-	-	1	2	18023-9	SCR, SKT HD CAP M4 X 6.0	49	
-	-	-	-	-	1	2119652-1	FEED CAM, PRE FEED	48	
-	-	1	1	1	1	2079383-7	SCR, BHSC, RoHS (M8 X 25)	41	
-	-	1	1	1	1	2119645-1	DISC, NUMBERED FA WIRE ADJUSTMENT	40	
-	-	1	1	1	1	2119957-1	APPLICATOR SHIM PACK	39	
-	-	1	1	1	1	2119644-1	RAM WASHER, PRECISION	38	
-	-	1	1	1	1	2-1752356-0	SUPPORT, TERMINAL	34	
-	-	2	2	2	2	2079383-5	SCR, BHSC, RoHS (M4 X 20)	33	
-	-	1	1	1	1	2161328-1	HEX HEAD, FLANGED, M5 x 8mm LONG	32	
-	-	1	1	1	1	1-1320908-0	SPACER, STRIP GUIDE	30	
-	-	1	1	1	1	2119959-1	ASSEMBLY, STRIP GUIDE	29	
-	-	1	1	1	1	1320928-2	STRIP GUIDE	24	
-	-	1	1	1	1	2168083-2	SCR, SKT HD CAP, RoHS, M4 X 8.0	21	
-	-	1	1	1	1	1-18028-2	WASHER, FLAT, REG M4	20	
-	-	1	1	1	1	2119533-1	STRIPPER, SIDE FEED	19	
-	-	1	1	1	1	2119806-1	INSERT, SHEAR	13	
-	-	1	1	1	1	3-22280-3	SPRING, COMPRESSION	12	
-	-	1	1	1	1	1-356885-4	STOP, SHEAR	11	
-	-	1	1	1	1	2119805-1	SHEAR HOLDER, FRONT	10	
-	-	1	1	1	1	1803095-1	FLOATING SHEAR, FRONT	9	
1	1	1	1	1	1	1803293-4	ANVIL, COMBINATION DEUTSCH STYLE	8	
-	-	-	-	-	-	-	-	7	
-	-	-	-	-	-	-	-	6	
-	-	1	1	1	1	2119757-8	DEPRESSOR, SHEAR	5	
-	-	1	1	1	1	238011-9	BLOCK, CRIMPER SPACER	4	
1	1	1	1	1	1	1803019-6	CRIMPER, INSULATION O	3	
1	-	1	1	1	1	455888-4	SPACER, CRIMPER	2	
-	1	1	1	1	1	2-1633713-6	CRIMPER, WIRE PREMIUM	1	

DIMENSIONS: mm			TOLERANCES UNLESS OTHERWISE SPECIFIED:		DRAWING NO		OCEAN SIDE FEED APPLICATOR
0 PLC	±		0.05		04-Oct-13		
1 PLC	±		0.10		04-Oct-13		Customer Accessible Production Drawing
2 PLC	±		0.20		04-Oct-13		
3 PLC	±		0.30		04-Oct-13		SCALE 1:2
4 PLC	±		0.50		04-Oct-13		SHEET 3 OF 4
MATERIAL			FINISH		WEIGHT		REV C2

REVISONS		DATE	OWN	APVD
LOC	DIST			
A	66			
P	LTH	DESCRIPTION		
-	-	SEE SHEET 1	-	-

FEED TYPE MECHANICAL



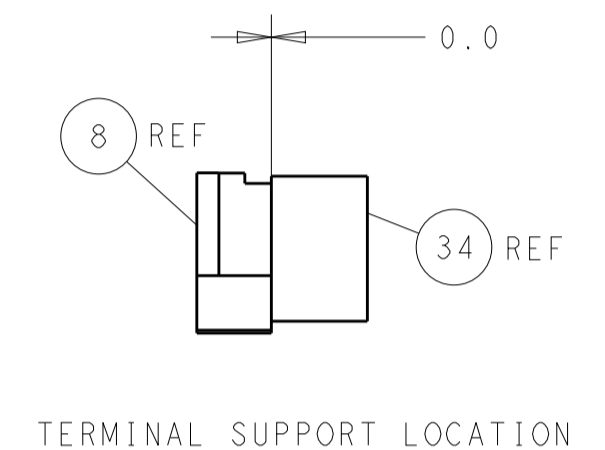
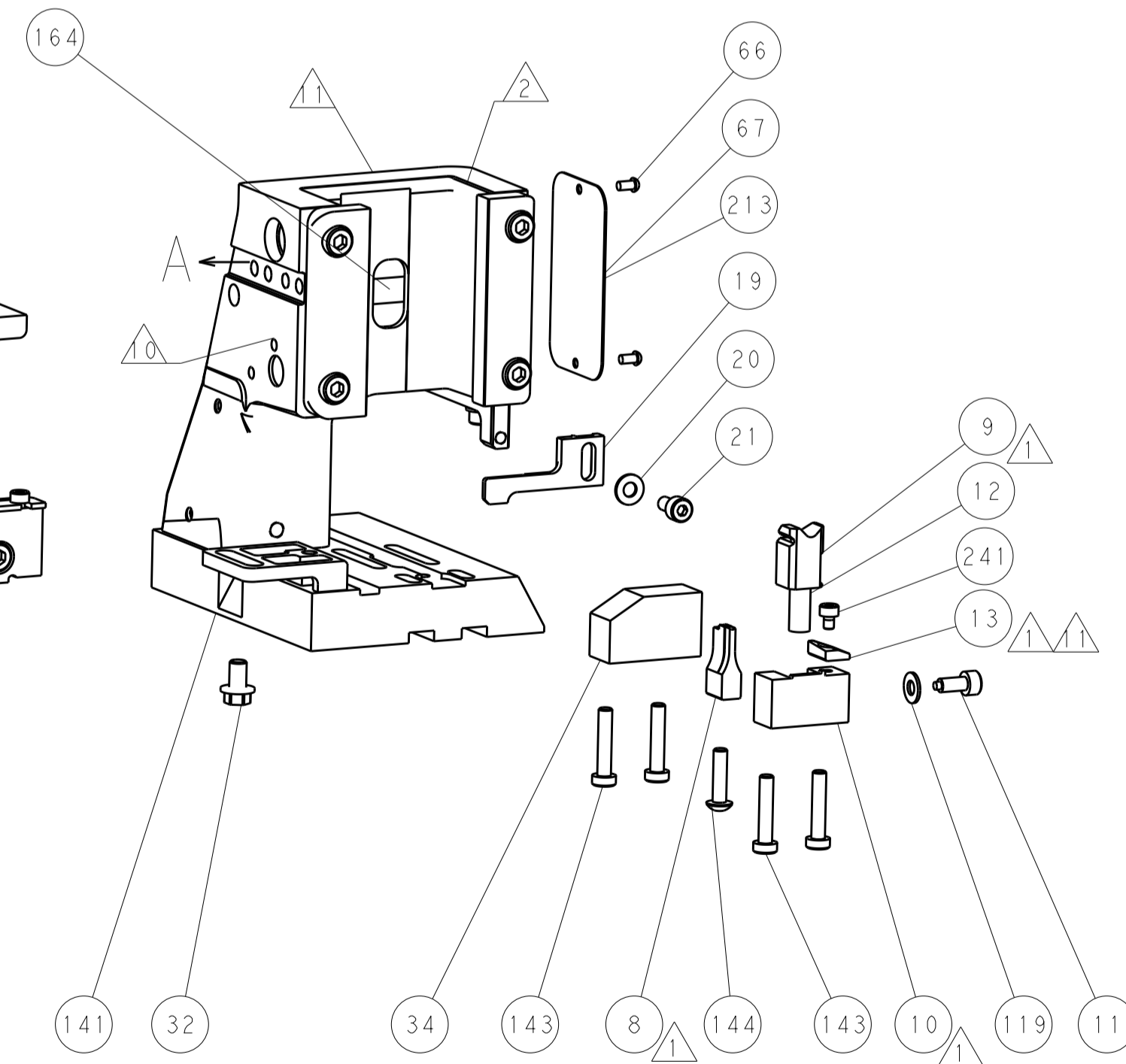
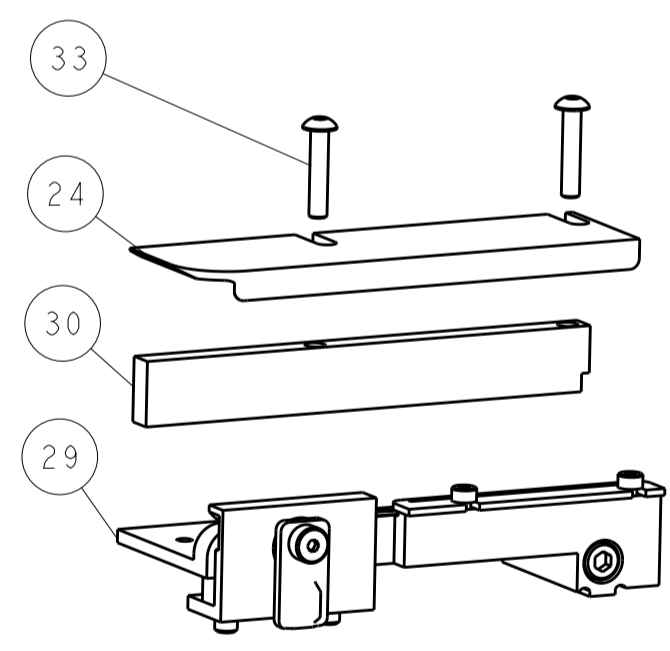
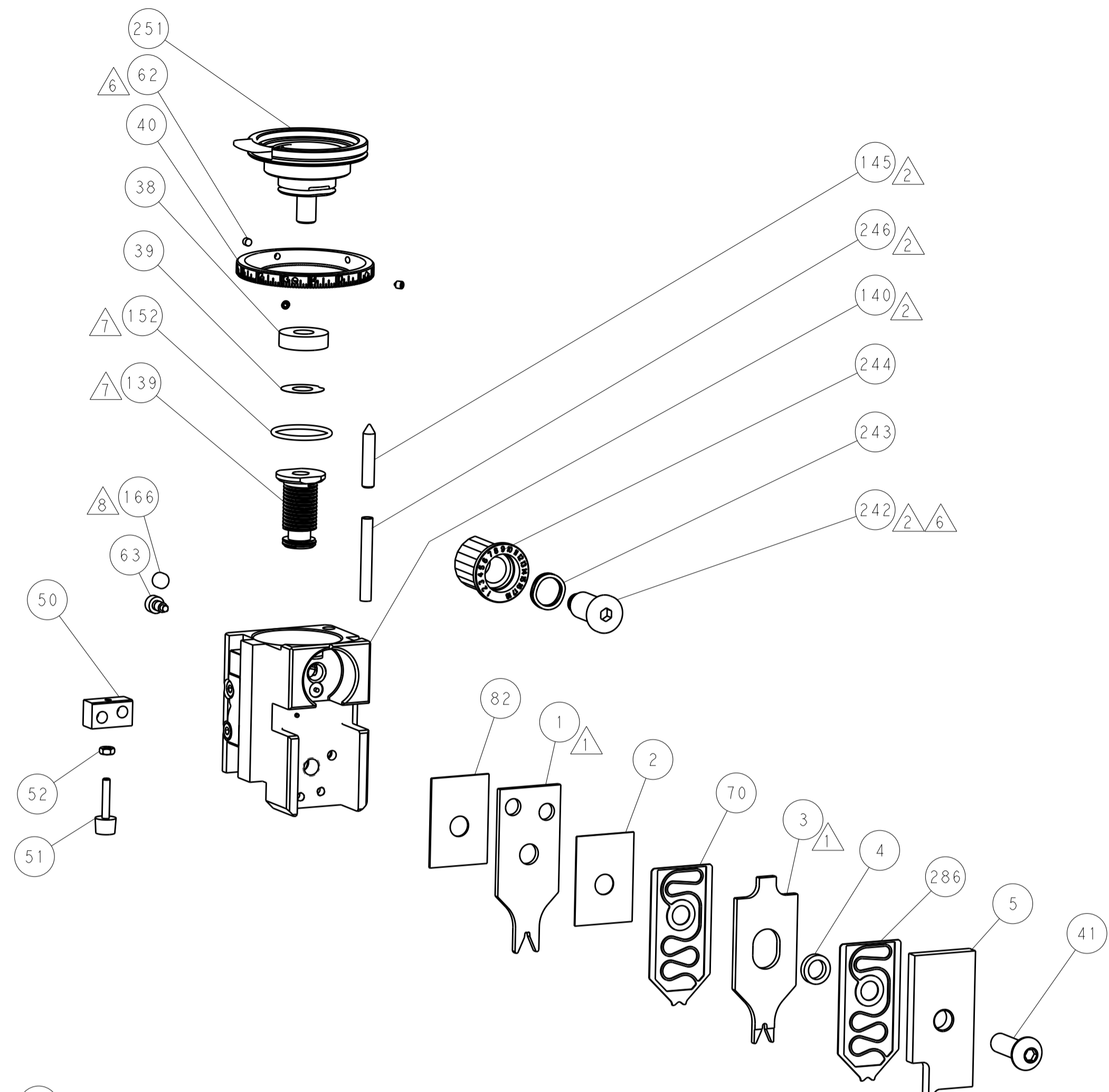
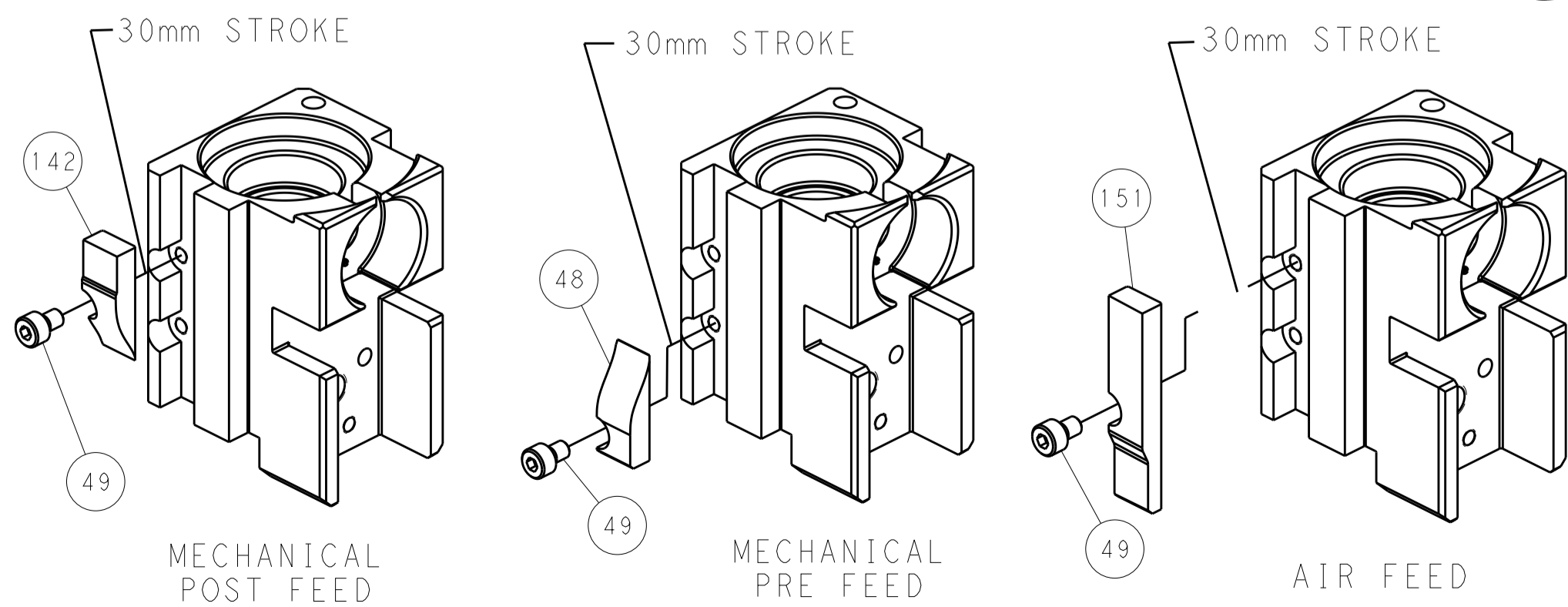
PNEUMATIC



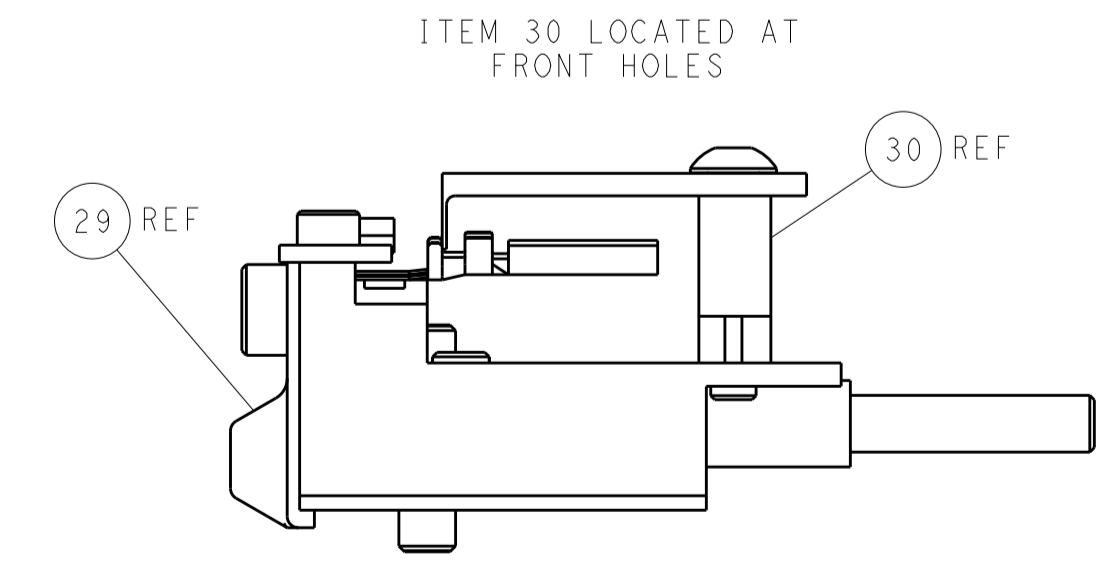
SERVO LATCH PLATE



CAM POSITIONS



TERMINAL SUPPORT LOCATION



FEED TRACK POSITION
GUIDE BY INSULATION BARREL

PACIFIC VERSION
 Shown on sheets 3 of 4 & 4 of 4
 (Atlantic version shown on sheets 1 of 4 & 2 of 4)

DIMENSIONS:		TOLERANCES UNLESS OTHERWISE SPECIFIED:		DWN R. KNEPPER 04-Oct-13 CHK G. BAILEY 04-Oct-13 APVD M. CLIFFORD 04-Oct-13 PRODUCT SPEC APPLICATION SPEC WEIGHT MATERIAL		NAME Ocean Side Feed Applicator SIZE CAGE CODE DRAWING NO A1 00779 C=2266103 Customer Accessible Production Drawing		RESTRICTED TO SCALE 1:2 SHEET 4 OF 4 REV C2	
mm	0 PLC ±	1 PLC ±	2 PLC ±	3 PLC ±	4 PLC ±	STE TE Connectivity Harrisburg, PA 17105-3608		SHEETS 1 & 2 ARE NOT REQUIRED FOR PACIFIC VERSION	