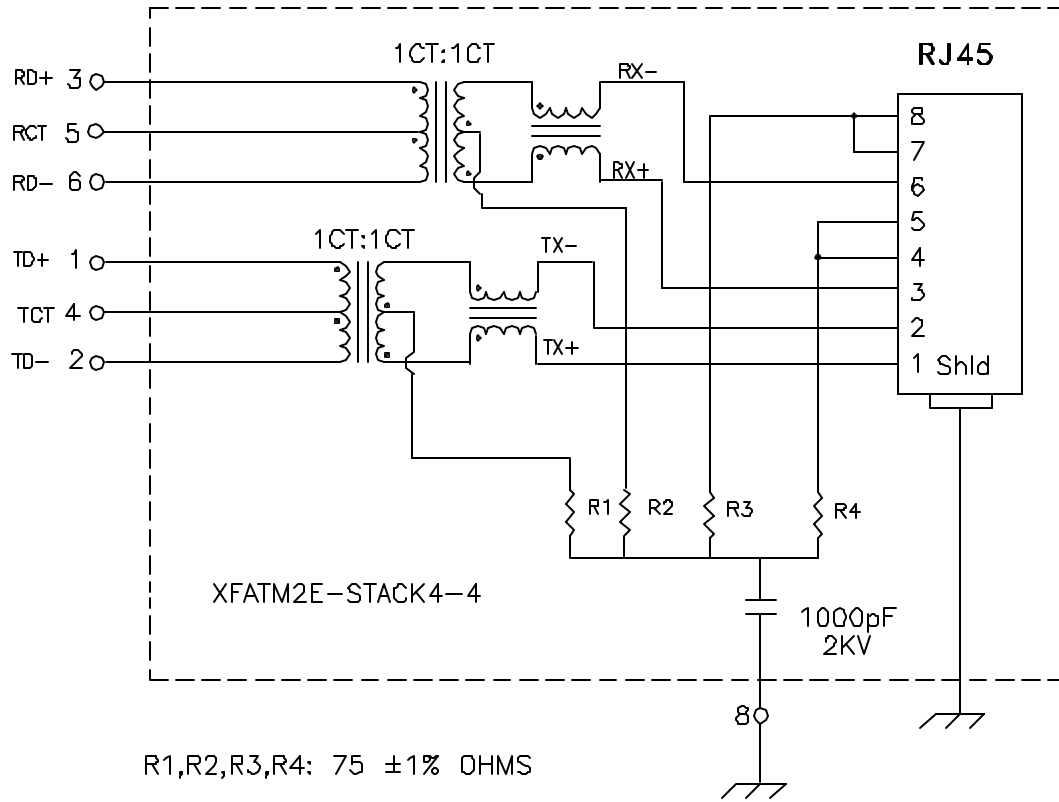


Schematic:

(one of four)



R1,R2,R3,R4: 75 ±1% OHMS

Electrical Specifications: @25°C

Isolation Voltage: 1500 Vrms (INPUT to OUTPUT)
 UTP SIDE OCL: 350uH Min @100KHz 100mV 8mA DC
 Rise Time (10-90%): 2.5ns Typical
 Insertion Loss (100KHz-100MHz): -1.1dB Maximum
 Insertion Loss (100MHz-125MHz): -1.5dB Maximum
 Return Loss: -18dB Typ. @30MHz
 -12dB Typ. @80MHz

Crosstalk:

100KHz-60MHz -40dB Typical
 60MHz-100MHz -38dB Typical

Common Mode to Differential Mode Rejection:

100KHz-60MHz -45dB Typ (Tx) / -40dB Typ (Rx)
 60MHz-100MHz -40dB Typ (Tx) / -35dB Typ (Rx)

Q: 18 Min @100KHz 0.1V

Notes:

1. Solderability: Leads shall meet MIL-STD-202G, Method 208H for solderability.
2. Flammability: UL94V-0
3. ASTM oxygen Index: > 28%
4. UL Recognized Component: File Number E165866
5. Operating Temperature Range: All listed parameters are to be within tolerance from -40°C to +85°C
6. Storage Temperature Range: -55°C to +125°C
7. Aqueous wash compatible
8. Electrical and mechanical specifications 100% tested
9. RoHS Compliant Component

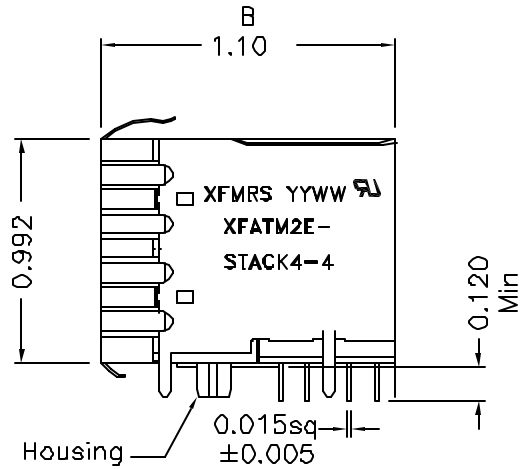
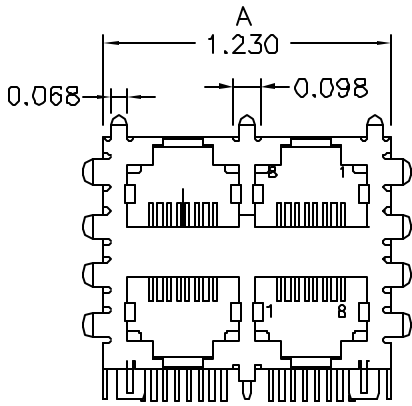
DOC. REV A/6

PROPRIETARY:

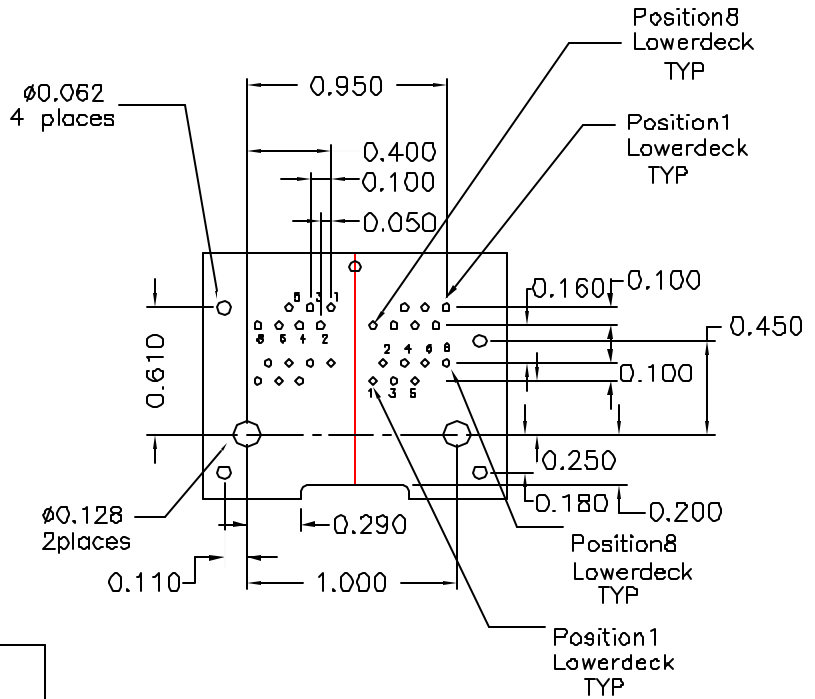
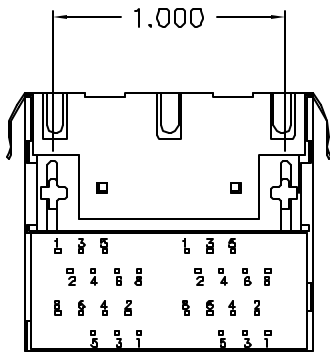
Document is the property of XFMRs Group & is not allowed to be duplicated without authorization.

XFMRs Inc www.XFMRs.com		Title: STACKED FOUR PORT COMBO		
UNLESS OTHERWISE SPECIFIED	P/N: XFATM2E-STACK4-4	REV. A		
TOLERANCES: .xxx ±0.010	DWN.	Feng	May-17-11	
Dimensions in Inch	CHK.	YK Liao	May-17-11	
SHEET 1 OF 2	APP.	Joe Huff	May-17-11	

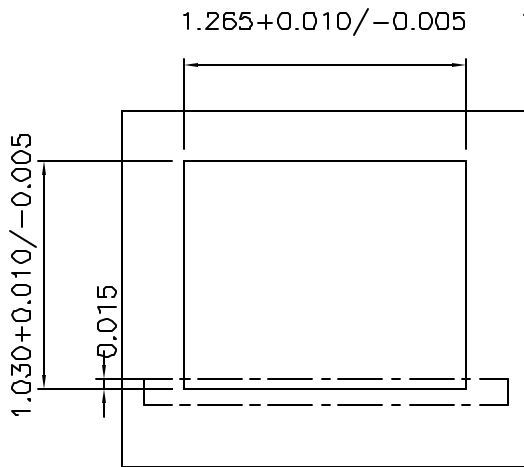
Mechanical Dimensions:



*Remove Pin#7



SUGGESTED MOUNTING PATTERN
(COMPONENT SIDE)



SUGGESTED PANEL
CUTOUT DIMENSIONS

DOC. REV. A/6

XFMR5 Inc. www.XFMR5.com		Title: Mechanical Dimensions For 2x2 STACKED COMBO Series	
UNLESS OTHERWISE SPECIFIED		P/N: XFATM2E-STACK4-4	REV. A
TOLERANCES: .xxx ±0.010		DWN. Feng	May-17-11
Dimensions in Inch		CHK. YK Liao	May-17-11
SHEET 2 OF 2		APP. Joe Huff	May-17-11

PROPRIETARY:

Document is the property of XFMR5 Group & is not allowed to be duplicated without authorization.