

PLEASE CHECK WWW.MOLEX.COM FOR LATEST PART INFORMATION

Part Number: [0504527225](#)
Status: **Active**
Description: Circuit Breaker Terminal for 3/0 AWG, Closed Uninsulated Brazed Barrel, Stud Size M10, Oxygen-Free Copper, Length 50.00mm (1.969")

Documents:

[Drawing \(PDF\)](#) [RoHS Certificate of Compliance \(PDF\)](#)
[Product Specification PS-50449-002 \(PDF\)](#)

Agency Certification

UL E134962

General

Product Family Ring and Spade Terminals
 Series [50452](#)
 Crimp Quality Equipment Yes
 Mil-Spec N/A
 Product Name CB (Circuit Breaker)
 Type Rectangular

Physical

Barrel Type Closed - Brazed
 Insulation None
 Material - Plating Mating Tin
 Packaging Type Bag
 Plating min: Mating (µin) 40
 Plating min: Mating (µm) 1
 Plating min: Termination (µin) 40
 Plating min: Termination (µm) 1
 Stud Size M10
 Termination Interface: Style Crimp or Compression
 Wire Size AWG 3/0
 Wire Size mm² 76.28 - 96.3

Material Info

Reference - Drawing Numbers

Product Specification PS-50449-002
 Sales Drawing SD-50452-7*25



Series

image - Reference only

EU RoHS

ELV and RoHS Compliant
REACH SVHC
 Not Reviewed
Halogen-Free Status
 Not Reviewed

China RoHS



Need more information on product environmental compliance?

Email productcompliance@molex.com
 For a multiple part number RoHS Certificate of Compliance, [click here](#)

Please visit the [Contact Us](#) section for any non-product compliance questions.

Search Parts in this Series

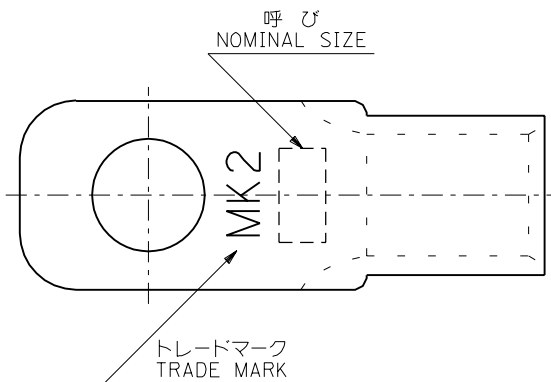
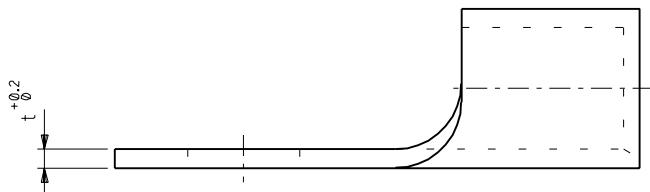
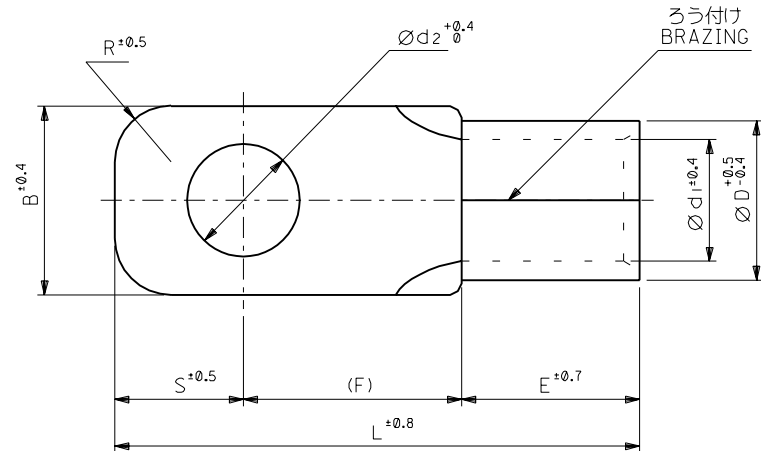
[50452Series](#)

Application Tooling | [FAQ](#)

Tooling specifications and manuals are found by selecting the products below. Crimp Height Specifications are then contained in the Application Tooling Specification document.

Japan

| Description | Product # |
|--|----------------------------|
| Tool Kit For 57343-9012 | 0573439001 |
| Battery Type Hand Crimper For JIS Terminal | 0573439004 |



注記
NOTES

1. 材質 MATERIAL

端子：無酸素銅、スズメッキ
TERMINAL OXYGEN FREE HIGH CONDUCTIVITY COPPER, TIN PLATING
ろう付け部：銀ろう
PART OF BRAZING : SILVER SOLDER

2. 適用電線 APPLICABLE WIRE RANGE

| 単線 SOLID WIRE | 撚線 STRANDED WIRE |
|------------------|----------------------------|
| Ø9.27-10.41 mm | 76.28-96.3 mm ² |

| | | | | | | | | | | | |
|-----|------|------|------|-----|------|------|------|------|------|--------------------|------------|
| 2.3 | 13.0 | 49.0 | 10.0 | 3.7 | 20.0 | 19.0 | 14.5 | 19.5 | 22.0 | CB80-12S | 50452-7425 |
| | 10.5 | 50.0 | 11.0 | 6.4 | | | | | | CB80-10S | 50452-7325 |
| | 8.4 | 49.0 | 10.0 | 3.7 | | | | | | CB80-8S | 50452-7125 |
| t | d2 | L | S | R | (F) | E | d1 | D | B | 呼び NOMINAL SIZE | ENG. NO. |
| | | | | | | | | | | | 50452-7025 |

| | | | | | | | | | | | | |
|-------------------------|----------------|--------|----------------------|------------|----------|----------|-----------------------------------|--|--------------------------------|----------------------|-----------------------------------|--|
| 角度 ANGLE | | 30° | | | | | | | | 材料 MATERIAL | 注記参照 SEE NOTES | MOLEX-JAPAN CO.,LTD. 日本モレックス株式会社 |
| 30°以上 OVER | | +0.5 | | | | | | | | 仕上げ FINISH | 注記参照 SEE NOTES | |
| 10°以上 OVER | 30°未満 UNDER | +0.25 | | | | | | | | 適用電線範囲 WIRE RANGE | 注記参照 SEE NOTES | TITLE 名称 |
| 10°未満 UNDER | | +0.2 | | | | | | | | 被覆外径 INS. RANGE | — | RING TERMINAL (FOR BREAKER) (銅線用裸圧着端子) |
| 一般公差 GENERAL TOLERANCES | | 記号 LTR | 変更内容 REVISION RECORD | DR. / CHK. | 日付 DATE | 尺度 SCALE | — | | DRAWN BY '98/09/30 H.IIJIMA | | CHK'D BY '98/10/02 T.YAMAGUCHI | NON-INSULATED CRIMP-STYLE TERMINAL FOR COPPER CONDUCTORS) |
| | | 0 | 新規作成 (JC90124) | | 98/10/02 | — | APP'D BY '98/10/02 M.FUKUSHIMA | | — | | DWG. NO. | REV |