

PLEASE CHECK WWW.MOLEX.COM FOR LATEST PART INFORMATION

Part Number: [1300130235](#)
Status: **Active**
Overview: [minichange_products](#)
Description: Mini-Change® A-Size Receptacle with Leads, 1/2" - 14NPT Threads, Straight Male, 3 Poles, Length 1.83m (6.0'), US Auto Code

Documents:

[Drawing \(PDF\)](#) [RoHS Certificate of Compliance \(PDF\)](#)

Agency Certification

CSA LR6837
 UL E152210

General

Product Family Industrial Receptacles
 Series [130013](#)
 IP Rating IP67
 NEMA Rating NEMA 6
 Overview [minichange_products](#)
 Product Name Mini-Change®
 Type Single Ended (pigtail)

Physical

Coupling Type External Thread
 Gender Male
 Keyway Single
 Length 1.83m (6.0')
 Material - Component Zinc Die-Cast with Black Epoxy
 Mounting Thread Size 1/2" - 14 NPT
 Orientation Straight
 Panel Mount N/A
 Poles 3
 Temperature Range - Operating -20°C to +105°C
 Wire Size AWG 16
 Wire/Cable Type Leads

Electrical

Current - Maximum per Contact 13A
 Voltage - Maximum 600V AC/DC

Material Info

Old Part Number 1R3006A24F060

Reference - Drawing Numbers

Sales Drawing SD-130013-013

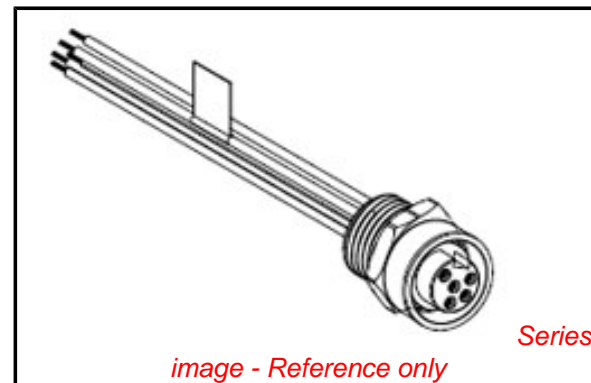


image - Reference only

EU RoHS

**ELV and RoHS
 Compliant
 REACH SVHC
 Not Reviewed
 Halogen-Free
 Status
 Not Reviewed**

China RoHS



**Need more information on product
 environmental compliance?**

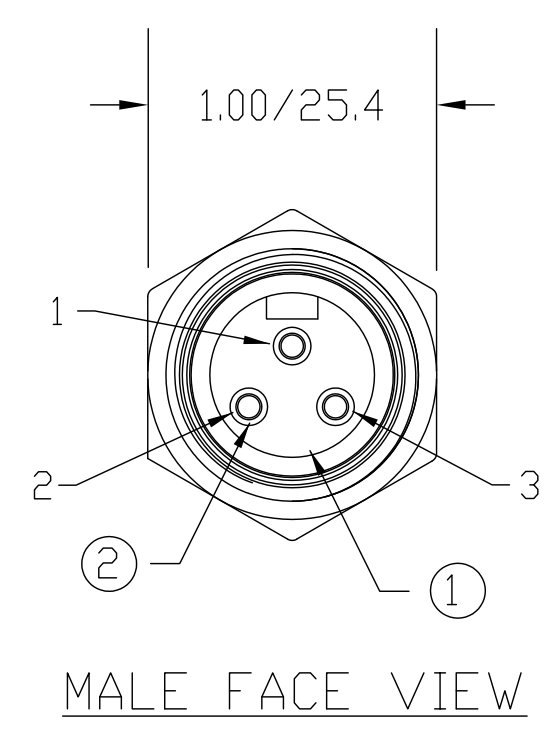
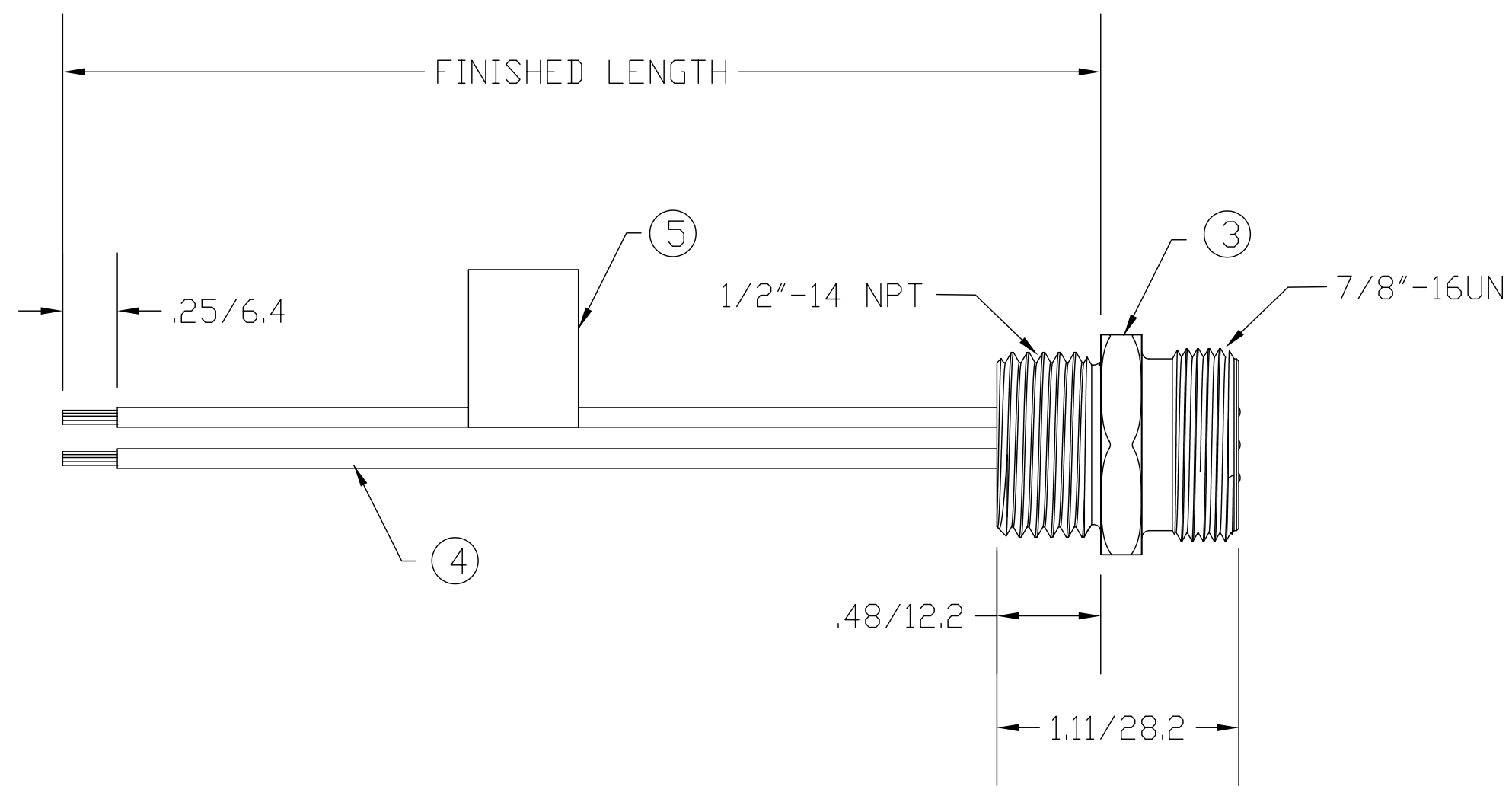
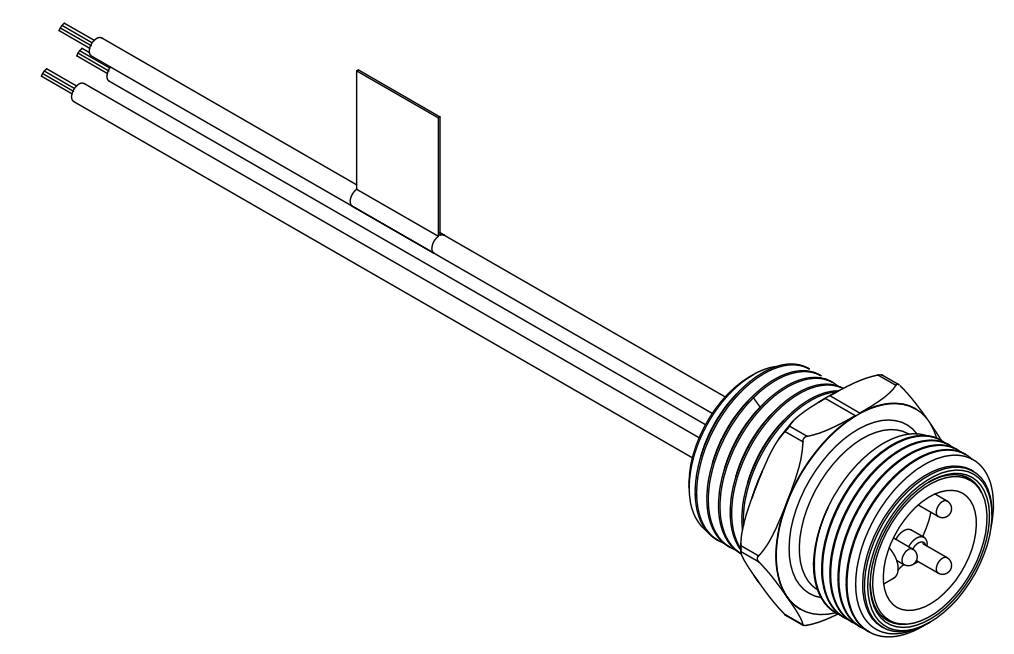
Email productcompliance@molex.com
 For a multiple part number RoHS Certificate of
 Compliance, [click here](#)

Please visit the [Contact Us](#) section for any
 non-product compliance questions.

Search Parts in this Series

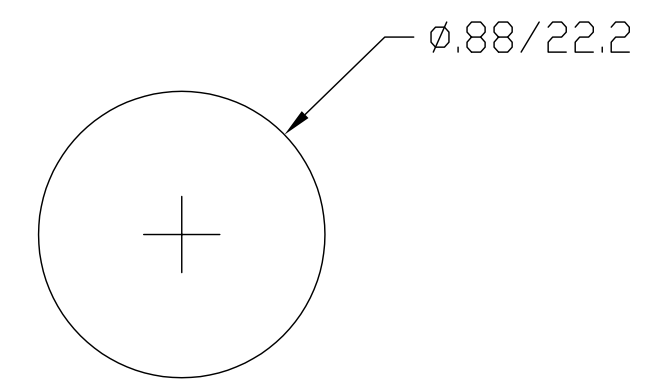
130013Series

MATERIAL NUMBER	OLD PART NUMBER	FINISHED LENGTH
130013-0229	1R3006A24A120	12.00" +1.75" -0 [1.3M +44.5 -0]
130013-0233	1R3006A24F030	3.00' +2.19" -0 [1.9M +55.6 -0]
130013-0235	1R3006A24F060	6.00' +3.50" -0 [1.8M +88.9 -0]



1	GREEN
2	RED WITH #2
3	RED WITH #3

WIRING DIAGRAM



KNOCKOUT HOLE

VOLTAGE RATING	600 VAC/VDC
AMPERAGE RATING	13 AMPS
PROTECTION	IP67
OPERATING TEMPERATURE	-20°C TO 105°C
UL CERTIFICATIONS	UL LISTED, FILE NO. E258922
CSA CERTIFICATIONS	CSA CERTIFIED, FILE NO. LR6837

ITEM	COMPONENT	MATERIAL	FINISH
1	INSERT	PVC	YELLOW
2	CONTACT PIN	COPPER ALLOY	GOLD OVER NICKEL
3	RECEPTACLE SHELL	ZINC DIE CAST	BLACK E-COATED
4	CONDUCTOR - 16 AWG. 26 x #30 COPPER STRANDING, 600V	PVC	SEE WIRING DIAGRAM
5	FLAG LABEL	PLASTIC FILM	BLACK/YELLOW

RLSO DRAWING EC NO: WNA2010-0425 DRWN: BWOODMAN2010/01/06 CHK'D: TW APPR: JFMURPHY 2010/01/14 REV A	QUALITY SYMBOL	GENERAL TOLERANCES (UNLESS SPECIFIED)	DIMENSION STYLE	SCALE	DESIGN UNITS	THIRD ANGLE PROJECTION																																
	$\nabla = 0$ $\sphericalangle = 0$	<table border="1"> <tr> <th></th> <th>mm</th> <th>INCH</th> </tr> <tr> <td>4 PLACES</td> <td>±---</td> <td>±---</td> </tr> <tr> <td>3 PLACES</td> <td>±---</td> <td>±.005</td> </tr> <tr> <td>2 PLACES</td> <td>±0.13</td> <td>±.010</td> </tr> <tr> <td>1 PLACE</td> <td>±0.25</td> <td>±.020</td> </tr> </table>		mm	INCH	4 PLACES	±---	±---	3 PLACES	±---	±.005	2 PLACES	±0.13	±.010	1 PLACE	±0.25	±.020	<table border="1"> <tr> <th colspan="2">IN/MM</th> </tr> <tr> <td>DRAWN BY</td> <td>DATE</td> </tr> <tr> <td>-----</td> <td>----</td> </tr> <tr> <td>CHECKED BY</td> <td>DATE</td> </tr> <tr> <td>TW</td> <td>2010/01/07</td> </tr> <tr> <td>APPROVED BY</td> <td>DATE</td> </tr> <tr> <td>JFMURPHY</td> <td>2010/01/14</td> </tr> </table>	IN/MM		DRAWN BY	DATE	-----	----	CHECKED BY	DATE	TW	2010/01/07	APPROVED BY	DATE	JFMURPHY	2010/01/14	<table border="1"> <tr> <td>TITLE</td> <td rowspan="2"> MINI-CHANGE RECEPTACLE 3 POLE MALE 1/2 NPT US AUTO CODE </td> </tr> <tr> <td> </td> </tr> <tr> <td> MOLEX INCORPORATED </td> <td> SHEET NO. 1 OF 1 </td> </tr> </table>	TITLE	MINI-CHANGE RECEPTACLE 3 POLE MALE 1/2 NPT US AUTO CODE		MOLEX INCORPORATED	SHEET NO. 1 OF 1
		mm	INCH																																			
	4 PLACES	±---	±---																																			
	3 PLACES	±---	±.005																																			
2 PLACES	±0.13	±.010																																				
1 PLACE	±0.25	±.020																																				
IN/MM																																						
DRAWN BY	DATE																																					
-----	----																																					
CHECKED BY	DATE																																					
TW	2010/01/07																																					
APPROVED BY	DATE																																					
JFMURPHY	2010/01/14																																					
TITLE	MINI-CHANGE RECEPTACLE 3 POLE MALE 1/2 NPT US AUTO CODE																																					
MOLEX INCORPORATED	SHEET NO. 1 OF 1																																					
	ANGULAR ±1/2°	SEE CHART	DOCUMENT NO.	SD-130013-013																																		
	DRAFT WHERE APPLICABLE MUST REMAIN WITHIN DIMENSIONS		THIS DRAWING CONTAINS INFORMATION THAT IS PROPRIETARY TO MOLEX INCORPORATED AND SHOULD NOT BE USED WITHOUT WRITTEN PERMISSION																																			