

PLEASE CHECK WWW.MOLEX.COM FOR LATEST PART INFORMATION

Part Number: [0673514016](#)
Status: **Active**
Description: MicroCross™ DVI-D Digital Visual Interface, PCB Receptacle, Glass-filled Polyester (PBT), Through Hole, Right Angle, Gold (Au) Flash, 24 Circuits, Lead Free

Documents:

[Drawing \(PDF\)](#) [RoHS Certificate of Compliance \(PDF\)](#)

General

Product Family	I/O Connectors
Series	74320
Application	Wire-to-Board
Comments	DDWG (Digital Display Working Group) Standard
Component Type	Receptacle
Product Name	MicroCross™ DVI
Type	N/A

Physical

Boot Color	N/A
Circuits (Loaded)	24
Circuits (maximum)	24
Color - Resin	Ivory, Natural
Durability (mating cycles max)	100
Gender	Receptacle
Keying to Mating Part	Yes
Lock to Mating Part	Yes
Material - Metal	Copper Alloy
Material - Plating Mating	Gold
Material - Resin	Polyester
Number of Rows	3
Orientation	Right Angle
PC Tail Length (in)	0.110 In
PC Tail Length (mm)	2.79 mm
PCB Locator	Yes
PCB Retention	Yes
Packaging Type	Tray
Panel Mount	Yes
Pitch - Mating Interface (in)	0.075 In
Pitch - Mating Interface (mm)	1.91 mm
Pitch - Term. Interface (in)	0.075 In
Pitch - Term. Interface (mm)	1.91 mm
Plating min: Mating (µin)	2
Plating min: Mating (µm)	0.05
Plating min: Termination (µin)	100
Plating min: Termination (µm)	2.50
Polarized to Mating Part	Yes
Polarized to PCB	Yes
Ports	1
Surface Mount Compatible (SMC)	No
Temperature Range - Operating	-20°C to +85°C
Termination Interface: Style	Through Hole
Waterproof / Dustproof	No
Wire Size AWG	N/A

Electrical

Current - Maximum per Contact	3A
-------------------------------	----

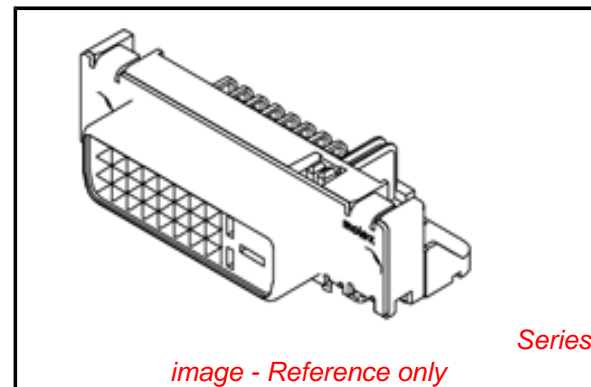


image - Reference only

EU RoHS

**ELV and RoHS
Compliant**
REACH SVHC
 Not Reviewed
**Halogen-Free
Status**

China RoHS



Not Reviewed

**Need more information on product
environmental compliance?**

Email productcompliance@molex.com
 For a multiple part number RoHS Certificate of Compliance, [click here](#)

Please visit the [Contact Us](#) section for any non-product compliance questions.

Search Parts in this Series

[74320Series](#)

Mates With

[74323](#) MicroCross™ DVI Plug Components.
[88741](#) MicroCross™ DVI Cable Assemblies

Use With

[71781](#) Panel Mount Hex Screw Kit

Grounding to Panel	Yes
Shield Type	Full Shield
Shielded	Yes
Voltage - Maximum	40V AC (RMS)

Material Info

Reference - Drawing Numbers

Sales Drawing	SD-67351-003
---------------	--------------

This document was generated on 04/02/2010

PLEASE CHECK WWW.MOLEX.COM FOR LATEST PART INFORMATION

DO NOT SCALE DRAWING

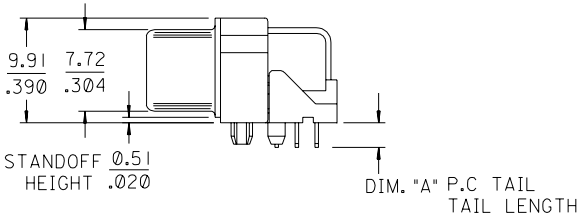
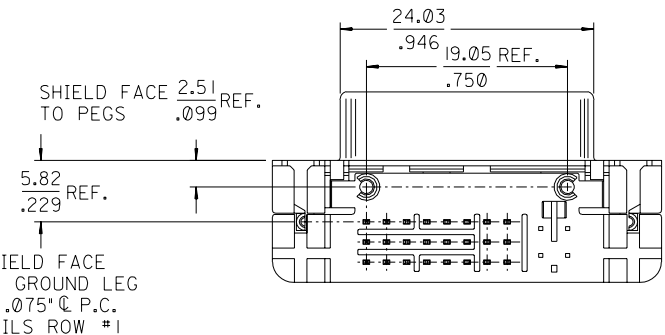
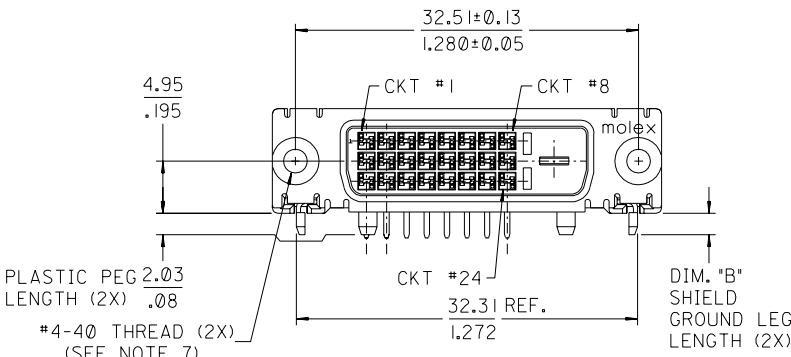
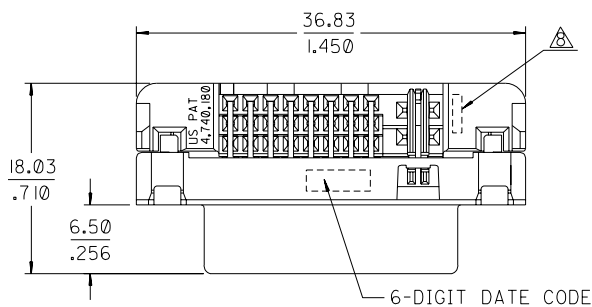
CADFILE NO: 56735103.S01

SIMILAR ITEM

EDP NO.

ENG. NO SEE CHART

8 7 6 5 4 3 2 1



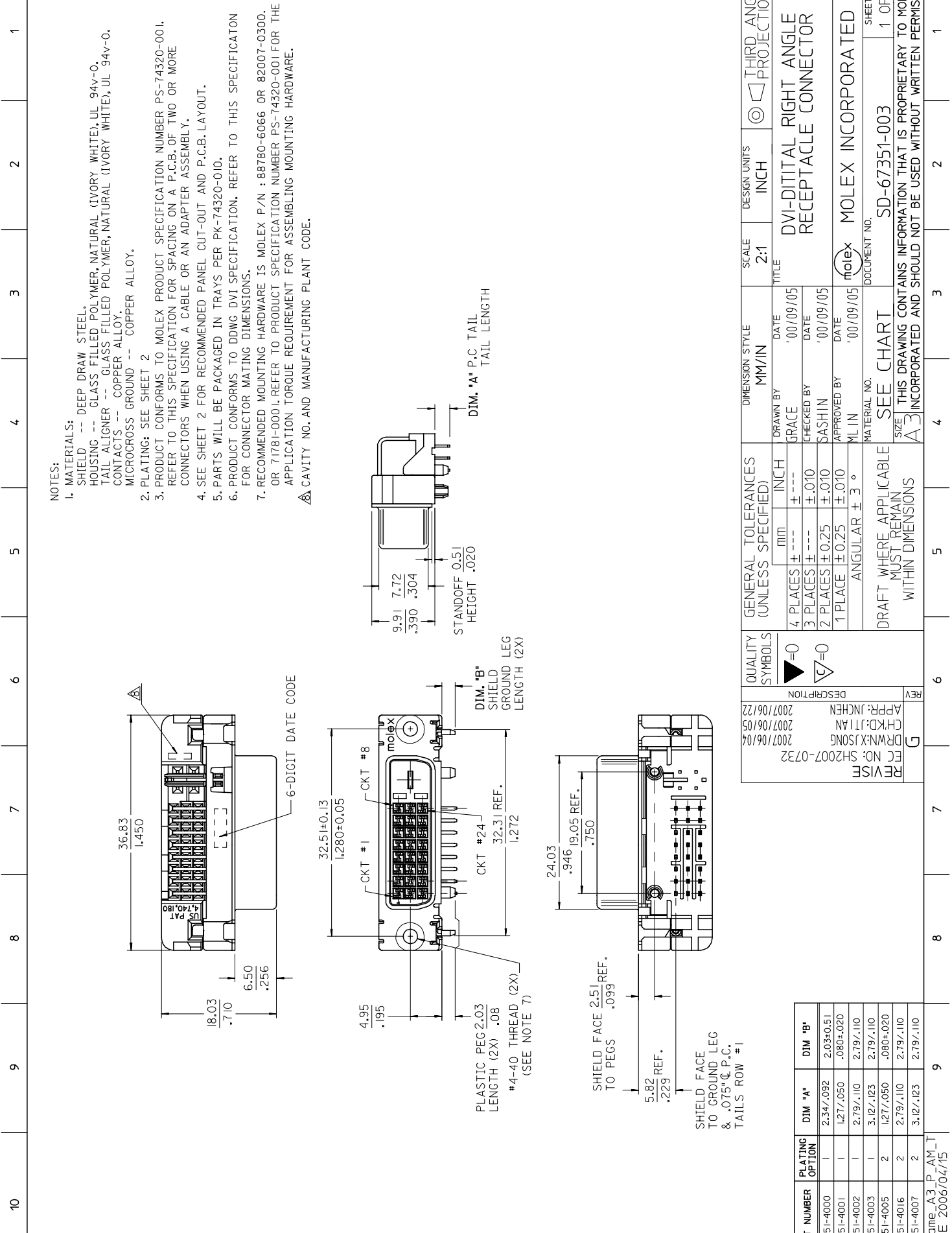
- NOTES:
- MATERIALS:
SHIELD -- DEEP DRAW STEEL.
HOUSING -- GLASS FILLED POLYMER, NATURAL (IVORY WHITE), UL 94v-0.
TAIL ALIGNER -- GLASS FILLED POLYMER, NATURAL (IVORY WHITE), UL 94v-0.
CONTACTS -- COPPER ALLOY.
MICROCROSS GROUND -- COPPER ALLOY.
 - PLATING: SEE SHEET 2
 - PRODUCT CONFORMS TO MOLEX PRODUCT SPECIFICATION NUMBER PS-74320-001. REFER TO THIS SPECIFICATION FOR SPACING ON A P.C.B. OF TWO OR MORE CONNECTORS WHEN USING A CABLE OR AN ADAPTER ASSEMBLY.
 - SEE SHEET 2 FOR RECOMMENDED PANEL CUT-OUT AND P.C.B. LAYOUT.
 - PARTS WILL BE PACKAGED IN TRAYS PER PK-74320-010.
 - PRODUCT CONFORMS TO DDWG DVI SPECIFICATION. REFER TO THIS SPECIFICATION FOR CONNECTOR MATING DIMENSIONS.
 - RECOMMENDED MOUNTING HARDWARE IS MOLEX P/N : 88780-6066 OR 82007-0300. OR 71781-0001. REFER TO PRODUCT SPECIFICATION NUMBER PS-74320-001 FOR THE APPLICATION TORQUE REQUIREMENT FOR ASSEMBLING MOUNTING HARDWARE.
- △ CAVITY NO. AND MANUFACTURING PLANT CODE.

PART NUMBER	PLATING OPTION	DIM "A"	DIM "B"
67351-4000	1	2.34/.092	2.03±0.51
67351-4001	1	1.27/.050	.080±.020
67351-4002	1	2.79/.110	2.79/.110
67351-4003	1	3.12/.123	2.79/.110
67351-4004	2	2.34/.092	2.03±0.51
67351-4005	2	1.27/.050	.080±.020
67351-4006	2	2.79/.110	2.79/.110
67351-4007	2	3.12/.123	2.79/.110

REV	DESCRIPTION
F	

QUALITY SYMBOLS	GENERAL TOLERANCES: (UNLESS SPECIFIED)
MAJOR = 0	mm INCH
CRITICAL = 0	4 PLACES ± . ± .
	3 PLACES ± . ± .010
	2 PLACES ±0.25 ±.010
	1 PLACE ±0.25 ±.010
	ANGULAR: ±3°
	DRAFT WHERE APPLICABLE MUST REMAIN WITHIN DIMENSIONS

SCALE 2:1	DESIGN UNITS <input checked="" type="checkbox"/> mm <input checked="" type="checkbox"/> INCH	THIRD ANGLE PROJECTION	DIMENSIONS: <input checked="" type="checkbox"/> mm <input type="checkbox"/> INCH <input type="checkbox"/> mm <input type="checkbox"/> ONLY	SHT	REV
DRAWN BY & DATE GRACE 00/09/05		TITLE: DVI - DIGITAL RIGHT ANGLE RECEPTACLE CONNECTOR			
CHECKED BY & DATE SASHIN 00/09/05		MOLEX INCORPORATED			
APPROVED BY & DATE MLIN 00/09/05		CAD FILENAME SD67351003.S01	MATERIAL NO. SEE CHART	DRAWING NO. SD-67351-003	SHEET NO. 1 OF 2
THIS DRAWING CONTAINS INFORMATION THAT IS PROPRIETARY TO MOLEX INCORPORATED AND SHOULD NOT BE USED WITHOUT WRITTEN PERMISSION.					SIZE A3



NOTES:

1. MATERIALS:
 SHIELD --- DEEP DRAW STEEL.
 HOUSING --- GLASS FILLED POLYMER, NATURAL (IVORY WHITE), UL 94V-0.
 TAIL ALIGNER --- GLASS FILLED POLYMER, NATURAL (IVORY WHITE), UL 94V-0.
 CONTACTS --- COPPER ALLOY.
 MICROCROSS GROUND --- COPPER ALLOY.
2. PLATING: SEE SHEET 2
3. PRODUCT CONFORMS TO MOLEX PRODUCT SPECIFICATION NUMBER PS-74320-001. REFER TO THIS SPECIFICATION FOR SPACING ON A P.C.B. OF TWO OR MORE CONNECTORS WHEN USING A CABLE OR AN ADAPTER ASSEMBLY.
4. SEE SHEET 2 FOR RECOMMENDED PANEL CUT-OUT AND P.C.B. LAYOUT.
5. PARTS WILL BE PACKAGED IN TRAYS PER PK-74320-010.
6. PRODUCT CONFORMS TO DWG DVI SPECIFICATION. REFER TO THIS SPECIFICATION FOR CONNECTOR MATING DIMENSIONS.
7. RECOMMENDED MOUNTING HARDWARE IS MOLEX P/N : 88780-6066 OR 82007-0300. OR 71781-0001. REFER TO PRODUCT SPECIFICATION NUMBER PS-74320-001 FOR THE APPLICATION TORQUE REQUIREMENT FOR ASSEMBLING MOUNTING HARDWARE.

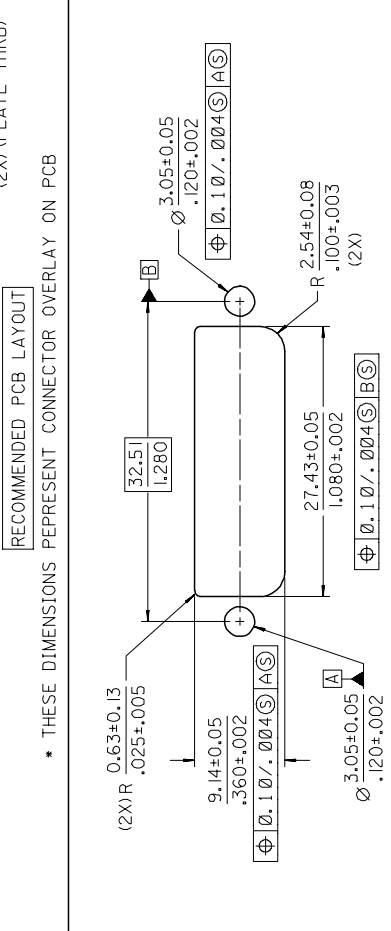
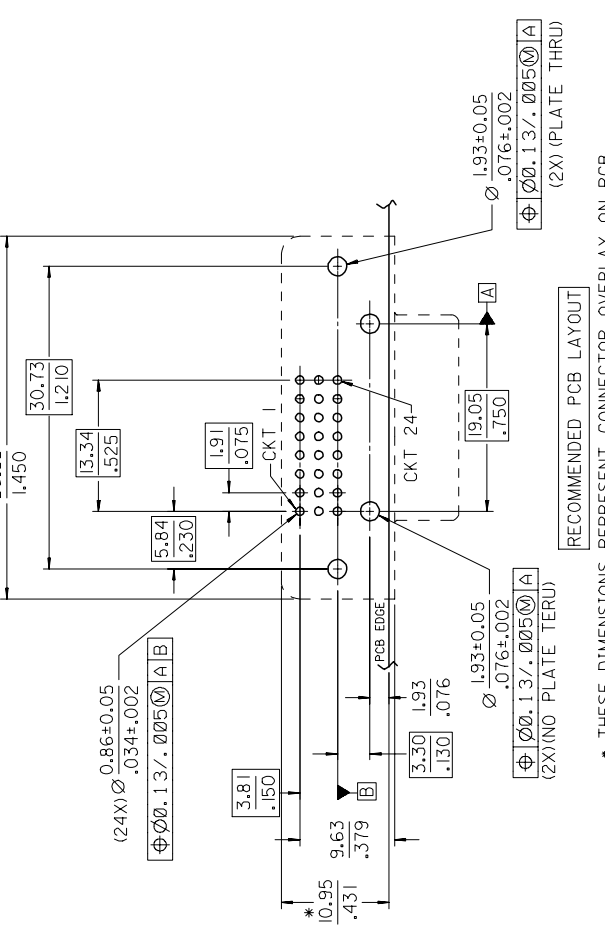
⚠️ CAVITY NO. AND MANUFACTURING PLANT CODE.

QUALITY SYMBOLS	GENERAL TOLERANCES (UNLESS SPECIFIED)	DIMENSION STYLE	SCALE	DESIGN UNITS	THIRD ANGLE PROJECTION
$\blacktriangle = 0$ $\triangle = 0$	4 PLACES ± .010 3 PLACES ± .010 2 PLACES ± 0.25 ± .010 1 PLACE ± 0.25 ± .010 ANGULAR ± 3°	MM/IN	2:1	INCH	THIRD ANGLE PROJECTION

DESCRIPTION	DATE	DRAWN BY	DATE
REVISE	2007/06/04	DRM:XJS0NG	'00/09/05
EC NO: SH2007-0732	2007/06/05	CHKD:JTAN	'00/09/05
APPR: JNCHEN	2007/06/22	GRACE	'00/09/05

PART NUMBER	PLATING OPTION	DIM *A*	DIM *B*
67351-4000	1	2.347,092	2.03±0.51
67351-4001	1	1.277,050	.080±.020
67351-4002	1	2.797,110	2.797,110
67351-4003	1	3.127,123	2.797,110
67351-4005	2	1.277,050	.080±.020
67351-4016	2	2.797,110	2.797,110
67351-4007	2	3.127,123	2.797,110

MATERIAL NO.	DOCUMENT NO.	MOLEX INCORPORATED
SEE CHART	SD-67351-003	MOLEX INCORPORATED
SIZE THIS DRAWING CONTAINS INFORMATION THAT IS PROPRIETARY TO MOLEX AND SHOULD NOT BE USED WITHOUT WRITTEN PERMISSION		



* THESE DIMENSIONS REPRESENT CONNECTOR OVERLAY ON PCB

RECOMMENDED PCB LAYOUT

RECOMMEND PANEL CUT-OUT
 PANEL THICKNESS: 0.76/.030 - 1.02/.040

PLATING OPTIONS:
PLATING OPTION #1:
 OUTER SHIELD -- 150µ"/3.75µm MIN. BRIGHT TIN OVER
 50µ"/(1.27µm) MIN. NICKEL OVER COPPER FLASH,
 .075"/1.91mm CONTACTS -- 30µ"/0.75µm MIN. SELECT GOLD AND
 100µ"/2.50µm MIN. SELECT PURE TIN
 OVER 50µ"/1.27µm MIN. NICKEL OVERALL,
PLATING OPTION #2:
 OUTER SHIELD -- 150µ"/3.75µm MIN. BRIGHT TIN OVER
 50µ"/(1.27µm) MIN. NICKEL OVER COPPER FLASH,
 .075"/1.91mm CONTACTS -- SELECT GOLD FLASH AND
 100µ"/2.50µm MIN. SELECT PURE TIN
 OVER 50µ"/1.27µm MIN. NICKEL OVERALL,

QUALITY SYMBOLS	DESCRIPTION	REV
▷=0	APP: JNCHEN	G
◁=0	CHKD: JIAN	
	DRWN: XJS0N6	
	EC NO: SH2007-0732	
	SEE SHEET 1	
	2007/06/04	
	2007/06/05	
	2007/06/22	

GENERAL TOLERANCES (UNLESS SPECIFIED)	DIMENSION STYLE	SCALE	DESIGN UNITS	THIRD ANGLE PROJECTION
4 PLACES ± ---	MM/IN	:1	INCH	☉
3 PLACES ± ---	DRAWN BY	DATE	TITLE	DVI-DIGITAL RIGHT ANGLE RECEPTACLE CONNECTOR
2 PLACES ± 0.25	GRACE	'00/09/05		
1 PLACE ± 0.25	CHECKED BY	DATE		
ANGULAR ± 3 °	SASHIN	'00/09/05		
	APPROVED BY	DATE		
	ML IN	'00/09/05		
	MATERIAL NO.	DOCUMENT NO.		
DRAFT WHERE APPLICABLE MUST REMAIN WITHIN DIMENSIONS	SEE CHART	SD-67351-003		
	MOLEX INCORPORATED			
	SHEET NO.	2 OF 2		