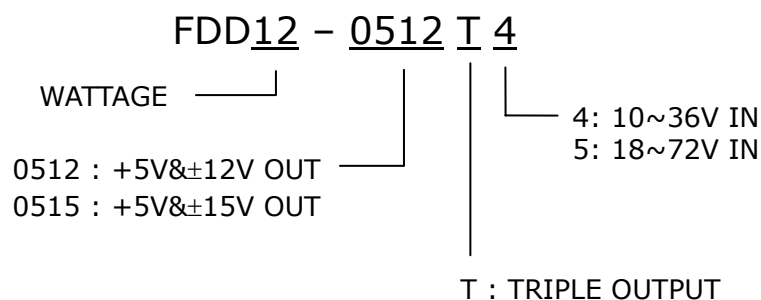


FDD12 SERIES

DC-DC CONVERTER 12W TRIPLE OUTPUT



MODEL LIST

| MODEL NO. | INPUT VOLTAGE | OUTPUT WATTAGE | OUTPUT VOLTAGE | OUTPUT CURRENT | EFF. (MIN.) | CASE |
|-----------------------------|---------------|----------------|----------------|----------------|-------------|------|
| Single Output Models | | | | | | |
| FDD12 - 0512T4 | 10~36 VDC | 12 WATTS | +5/±12VDC | 1.5A/±0.2A | 80% | FD |
| FDD12 - 0515T4 | 10~36 VDC | 12 WATTS | +5/±15VDC | 1.5A/±0.16A | 80% | FD |
| FDD12 - 0512T5 | 18~72 VDC | 12 WATTS | +5/±12VDC | 1.5A/±0.2A | 80% | FD |
| FDD12 - 0515T5 | 18~72 VDC | 12 WATTS | +5/±15VDC | 1.5A/±0.16A | 80% | FD |

FEATURES

- * LOW COST
- * 4:1 WIDE INPUT RANGE
- * I/O ISOLATION
- * LC INPUT FILTER
- * SHORT CIRCUIT PROTECTION
- * HIGH PERFORMANCE
- * 2 YEARS WARRANTY

DESCRIPTION

THE FDD12 SERIES ARE 12 WATTS TRIPLE OUTPUT DC/DC CONVERTERS. 4:1 WIDE INPUT RANGE WITH I/O ISOLATION AND SHORT CIRCUIT PROTECTION FEATURES MAKE IT SUITABLE USED ON VARIABLE APPLICATIONS AT LOW COST. ALL FDD12 MODELS CONTAIN LC INPUT FILTER TO MINIMIZE REFLECTED RIPPLE & NOISE. ALL MODELS ARE PACKAGED IN L x W x H = 2" x 2" x 0.47" BLACK COATED METAL CASE PIN CONFIGURATION, AND PCB MOUNTABLE DIRECTLY.



SPECIFICATION

All Specifications Typical At Nominal Line, Full Load, 25°C Unless Otherwise Noticed

GENERAL SPECIFICATION

- * Switching frequency: >180KHz
- * Isolation voltage: 1,500VDC
- * Isolation resistance: >1G Ω(min.)
- * Operating ambient temperature: -25 to +71°C
- * Storage temperature: -40 to +100°C
- * Max. Case temperature: 85°C
- * M.T.B.F.: 661,100Hrs at @ GF40, according to MIL-HDBK-217F
- * Cooling: Free air convection
- * Transient recovery time: 500μS, 25% load step change
- * Temperature coefficient: ±0.02% / °C
- * Dimension: 50.8 x 50.8 x 12mm

INPUT SPECIFICATIONS

- * Input voltage range / frequency: 10 ~ 36VDC for 24V
18 ~ 72VDC for 48V
- * Input filter: LC type

OUTPUT SPECIFICATIONS

- * Output voltage accuracy: ±2% for +5V
±6% for ±12V & ±15V
- * Minimum load: ±10% for +5V
±20% for ±12V & ±15V
- * Load regulation: ±2% for +5V
±6% for ±12V & ±15V
- * Ripple & noise: 20MHZ BW, Vout x ±1% mV p-p (max.)
- * Efficiency: Up to 80%, see model list
- * Derating: See table 1
- * Case material: Metal

CONTROL AND PROTECTION

- * Remote on/off: ON : Open or 8 ~ 10VDC
OFF : -0.3 ~ 2VDC



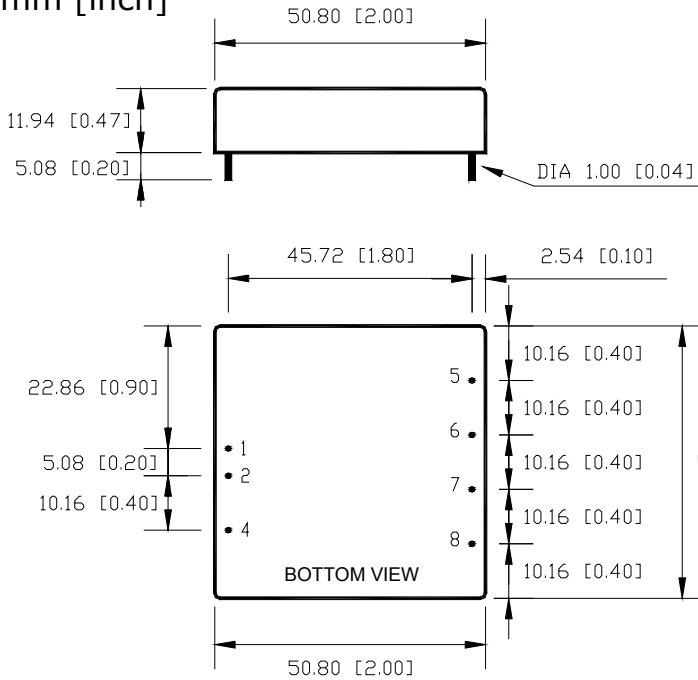
FDD12 SERIES

DC-DC CONVERTER

12W TRIPLE OUTPUT

MECHANISM & PIN CONFIGURATION

mm [inch]



PHYSICAL CHARACTERISTICS

| | |
|---------------|--|
| CASE SIZE | 50.8 x 50.8 x 12mm 2 x 2 x 0.47inches |
| CASE MATERIAL | Metal |
| WEIGHT | 70 g |

PIN ASSIGNMENT

| PIN NO. | 1 | 2 | 4 | 5 | 6 | 7 | 8 |
|---------|-----|-----|--------|---------------|--------------|-----|---------------|
| TRIPLE | Vi+ | Vi- | ON/OFF | Vo2 (+OUT) | Vo1 (+5V) | com | Vo3 (-OUT) |

Derating:

[TABLE 1]

