

PLEASE CHECK WWW.MOLEX.COM FOR LATEST PART INFORMATION

Part Number: **0759105523**
Status: **Active**
Overview: GbX I-Trac™ Backplane Connector System
Description: GbX I-Trac™ Right-Angle Header Module, 1.85mm by 3.70mm Pitch, Right Guided Coplanar, Left Open, 11 Rows, 5 Columns, 110 Circuits, Mating Pin Length 4.70mm

Documents:

[3D Model](#) [Packaging Specification PK-70873-585 \(PDF\)](#)
[Drawing \(PDF\)](#) [RoHS Certificate of Compliance \(PDF\)](#)
[Product Specification PS-75710-999-001 \(PDF\)](#)

Agency Certification

UL E29179

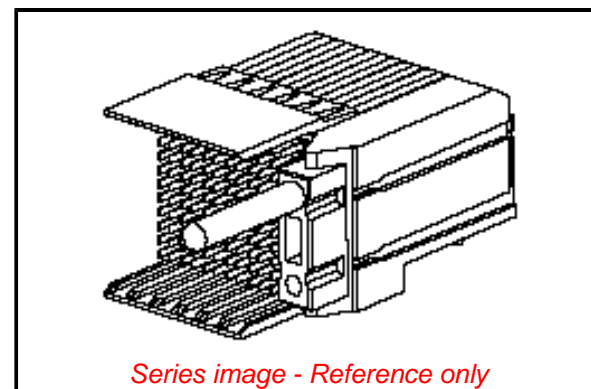
General

Product Family Backplane Connectors
Series [75910](#)
Application Coplanar, Daughtercard
Component Type Right Angle Male
Overview [GbX I-Trac™ Backplane Connector System](#)
Product Name GbX I-Trac™
UPC 883906400675

Physical

Circuits (Loaded) 110
Circuits (maximum) 110
Color - Resin Black
Durability (mating cycles max) 200
First Mate / Last Break No
Flammability 94V-0
Guide to Mating Part Yes
Keying to Mating Part None
Material - Metal High Performance Alloy (HPA)
Material - Plating Mating Gold
Material - Plating Termination Tin
Material - Resin High Temperature Thermoplastic
Net Weight 26.274/g
Number of Columns 5
Number of Pairs 6, Open Pin Field
Number of Rows 11
Orientation Right Angle
PC Tail Length 2.00mm
PCB Locator Yes
PCB Retention Yes
PCB Thickness - Recommended 1.60mm
Packaging Type Tray
Pitch - Mating Interface 1.85mm, 3.70mm
Pitch - Termination Interface 1.00mm, 2.70mm
Plating min - Mating 0.762µm
Plating min - Termination 0.762µm
Polarized to PCB Yes
Stackable No
Surface Mount Compatible (SMC) Yes
Temperature Range - Operating -55°C to +80°C
Termination Interface: Style Through Hole - Compliant Pin

Electrical



Series image - Reference only

EU ELV

Not Reviewed

EU RoHS

Not Reviewed

REACH SVHC

Not Reviewed

Halogen-Free

Status

Not Reviewed

Need more information on product environmental compliance?

Email productcompliance@molex.com
Please visit the [Contact Us](#) section for any non-product compliance questions.

China ROHS	Not Reviewed
ELV	Not Reviewed
RoHS Phthalates	Not Reviewed

Search Parts in this Series

[75910](#) Series

Mates With

[75710](#) GbX I-Trac™ Right Angle Receptacle Module

Use With

[78235](#) GbX I-Trac™ Right-Angle Power Receptacle

Application Tooling | FAQ

Tooling specifications and manuals are found by selecting the products below. Crimp Height Specifications are then contained in the Application Tooling Specification document.

Global

Description	Product #
Press-In Tool for Right Angle Receptacle and	0622018604

Current - Maximum per Contact	1.0A
Data Rate	12.0 Gbps
Shield Type	N/A
Shielded	No
Voltage - Maximum	120V AC (RMS)/DC

Material Info

Reference - Drawing Numbers

Packaging Specification	PK-70873-585
Product Specification	PS-75710-999-001
Sales Drawing	SD-75910-003

Header 11-Row, 5-Column Right Angle Male (RAM) Module Removal Tool	<u>0622023080</u>
--	-------------------

This document was generated on 11/19/2016

PLEASE CHECK WWW.MOLEX.COM FOR LATEST PART INFORMATION