

**Type: TFB-2**

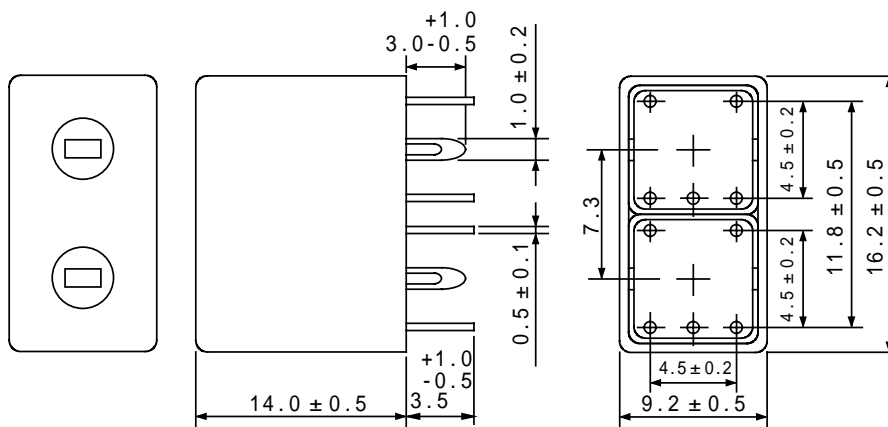
**Product Description**

- 16.7 × 9.7mm Max.(L × W), 14.5mm Max. Height.
- Operating frequency:10~200kHz.
- In addition to the reference versions of parameters shown here, custom designs are available to meet your exact requirements.

**Feature**

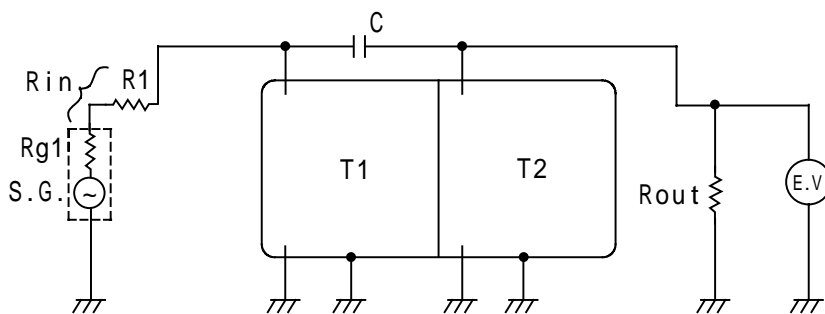
- Variable shielded type with two individual coils combined.
- Two capacitors can be internally mounted in one section.
- Ideally used in VCR, Video Cameras as Audio LC filters(LPF, BPF, Delay Line and Equalizers).
- RoHS Compliance.

**Dimensions (mm)**



- \* Dimension does not include solder used on coil.
- \* Pin pitch should be measured at the root of terminal.

**Testing circuit**



R<sub>in</sub>=R<sub>g</sub>+R<sub>1</sub>=10k  
 R<sub>out</sub>=10k  
 C=51pF ± 5%

**Type: TFB-2**
**Specification** (Part No: 0570-T006)

Item		Specification
Input impedance	(R in)	10kΩ
Output impedance	(Rout)	10kΩ
Center frequency	F0	201kHz
Band width	(-3dB)	10kHz(TYP.)
Attenuation	182.8kHz	15dB Min.
	221kHz	15dB Min.
Insertion loss	201kHz	3.4dB(TYP.)

**Frequency Response** (Attenuation 0dB at 201KHz)
