

**PLEASE CHECK WWW.MOLEX.COM FOR LATEST PART INFORMATION**

**Part Number:** [0008550106](#)  
**Status:** **Active**  
**Overview:** [kk](#)  
**Description:** 3.96mm (.156") Pitch KK® Crimp Terminal 2578, 22-26 AWG, Bag, Brass, 0.38µm (15µ") Selective Gold (Au)

**Documents:**

[Drawing \(PDF\)](#) [RoHS Certificate of Compliance \(PDF\)](#)  
[Product Specification PS-08-50 \(PDF\)](#)

**General**

Product Family Crimp Terminals  
 Series [2578](#)  
 Crimp Quality Equipment Yes  
 Overview [kk](#)  
 Product Name KK®

**Physical**

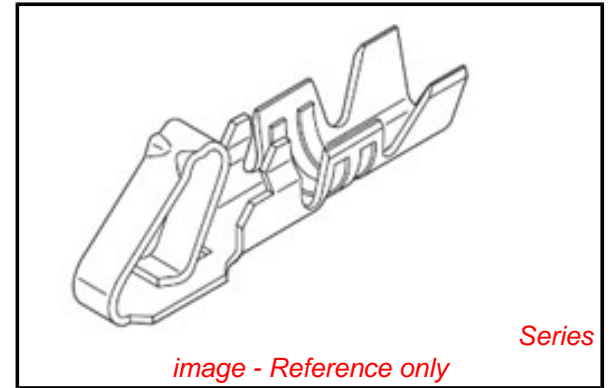
Gender Female  
 Material - Metal Brass  
 Material - Plating Mating Gold  
 Material - Plating Termination Gold  
 Packaging Type Bag  
 Plating min: Mating (µin) 15  
 Plating min: Mating (µm) 0.375  
 Plating min: Termination (µin) 15  
 Plating min: Termination (µm) 0.375  
 Termination Interface: Style Crimp or Compression  
 Wire Insulation Diameter 1.65mm (.065") max.  
 Wire Size AWG 22, 24, 26  
 Wire Size mm² N/A

**Material Info**

Old Part Number 2578-(555)L

**Reference - Drawing Numbers**

Packaging Specification PK-2759-001  
 Product Specification PS-08-50  
 Sales Drawing SD-2578



*image - Reference only*

**EU RoHS**

**ELV and RoHS Compliant**  
**REACH SVHC**  
**Contains SVHC: No**  
**Halogen-Free Status**

**China RoHS**



**Halogen-Free**

**Need more information on product environmental compliance?**

Email [productcompliance@molex.com](mailto:productcompliance@molex.com)  
 For a multiple part number RoHS Certificate of Compliance, [click here](#)

Please visit the [Contact Us](#) section for any non-product compliance questions.

**Search Parts in this Series**

[2578Series](#)

**Use With**

[2574](#) , [2139](#) , [41695](#) , [3069](#) , [6422](#) , [5265](#) , [5239](#)

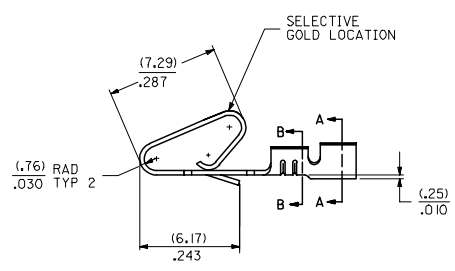
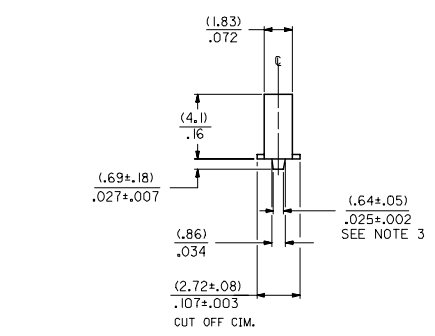
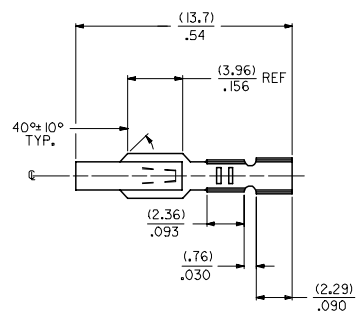
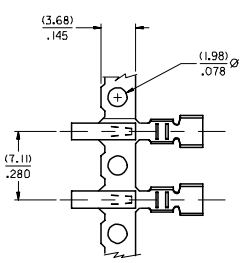
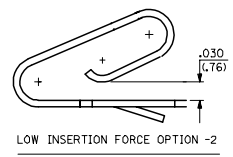
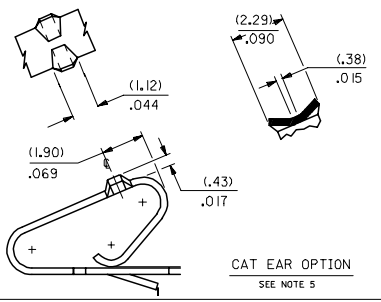
**Application Tooling | FAQ**

*Tooling specifications and manuals are found by selecting the products below. Crimp Height Specifications are then contained in the Application Tooling Specification document.*

**Global**

Description	Product #
HAND CRIMP TOOL	<a href="#">0638117400</a>
Extraction Tool	<a href="#">0011030016</a>

- NOTES:
1. CRIMP ACCEPTS 22 TO 26 GA. WIRE WITH (.165)/.065 MAX INSULATION DIA.
  2. DIMENSIONS GIVEN ACROSS CENTERLINES ARE SYMMETRICAL ABOUT THOSE CENTERLINES WITHIN HALF THE TOTAL TOLERANCE.
  3. OPTIONAL DESIGN (.86+.05)/.034+.002
  4. TERMINAL CONFORMS TO PRODUCT SPEC. 08-50.
  5. CAT EAR OPTION TO BE USED WITH 41695 HOUSING ONLY.



2578 - \* - \* \* \*

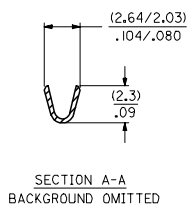
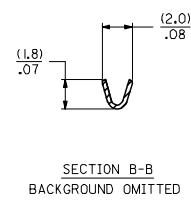
MATERIAL CODE  
 (.28)/.0106 THK  
 BLANK=BRASS  
 B=PHOS BRONZE

WINDING SPEC.  
 A=PER ES-339-A  
 BLANK=PER ES-339-B  
 L=LOOSE

PLATING CODE  
 (PER SDES-88)  
 \*(P909) OVERALL HOT TIN DIP: 2.54 MICROMETERS MIN  
 (550) SELECT GOLD: 0.38 MICROMETERS MIN.  
 OVERALL GOLD FLASH: 0.05 MICROMETERS MIN.  
 OVERALL NICKEL UNDERPLATE: 0.76 MICROMETERS MIN.  
 (555) SELECT GOLD: 0.38 MICROMETERS MIN.  
 OVERALL NICKEL UNDERPLATE: 0.76 MICROMETERS MIN.

OPTIONS  
 BLANK=AS SHOWN  
 1=WITH CAT EARS  
 2=LOW INSERTION FORCE

\*THE PRIMARY SHIPPING CARTON WILL BE LABELED \*COMPLIANT TO ROHS DIRECTIVE 2002/95/EC AND ELV ANNEX II OF DIRECTIVE 2000/53/EC.\* CARTONS WITHOUT THIS LABEL MAY CONTAIN PRODUCT WITH TIN-LEAD PLATING.



ENTER DESCRIPTION EC NO: UCP2005-0928 DRAWN BY: DRW:ADRIANO CHKD-SAMEC 2004/11/02 APPR:MMRIGALLIS 2004/11/02 W	QUALITY SYMBOLS	GENERAL TOLERANCES (UNLESS SPECIFIED)		DIMENSION STYLE IN/MM		SCALE	DESIGN UNITS INCH	THIRD ANGLE PROJECTION
	▽=0	4 PLACES ± --- ± ---	mm	INCH	DRAWN BY DATE	TITLE	MATERIAL NO.	DOCUMENT NO.
	▽=0	3 PLACES ± --- ± .010			PEREZ/AR 01/29/87			
		2 PLACES ± 0.25 ± .014			CHECKED BY DATE	CRIMP TERMINAL (.396)/.156 CENTERS 22 TO 26 GA WIRE MOLEX INCORPORATED	SD-2578	SHEET NO. 1 OF 2
	1 PLACE ± 0.36 ± ---			PATEL 01/29/87				
	ANGULAR ±1/2°	DRAFT WHERE APPLICABLE MUST REMAIN WITHIN DIMENSIONS		APPROVED BY DATE		THIS DRAWING CONTAINS INFORMATION THAT IS PROPRIETARY TO MOLEX INCORPORATED AND SHOULD NOT BE USED WITHOUT WRITTEN PERMISSION		
		SEE CHART		LENZ 01/29/87				

2578-(***)*		2578-B-(***)*		2578-B-2-(***)*							
PART NO.	ENG. NO.	PART NO.	ENG. NO.	PART NO.	ENG. NO.	PART NO.	ENG. NO.	PART NO.	ENG. NO.	PART NO.	ENG. NO.
08-50-0107	2578-(P909)	08-56-0121	2578-B-(501)		2578-B-2(P909)						
08-50-0108	2578-(P909)L	08-56-0122	2578-B-(501)L		2578-B-2(P909)L						
08-50-0111	2578-(109)	08-50-0133 *	2578-B-(P909)		2578-B-2(555)						
08-50-0112	2578-(109)L	08-50-0134 *	2578-B-(P909)L		2578-B-2(555)L						
08-56-0107	2578-(550)	08-65-0116 *	2578-B-(555)		2578-B-2(550)						
08-56-0108	2578-(550)L	08-65-0117 *	2578-B-(555)L		2578-B-2(550)L						
08-55-0105	2578-(555)	08-65-0108	2578-B-(591)								
08-56-0106	2578-(555)L	08-65-0107	2578-B-(591)L								
08-59-0101	2578-(122)	08-60-0003	2578-B-(122)								
	2578-(122)L	08-60-0004	2578-B-(122)L								
1 08-56-0162	2578-(505)	08-65-0110	2578-B-(558)								
1 08-56-0163	2578-(505)L	08-65-0111	2578-B-(558)L								
08-50-0504	2578-(128)	08-58-0125 *	2578-B-(550)								
	2578-(128)L	08-58-0126 *	2578-B-(550)L								
08-56-0161	2578-(503)										
	2578-(503)L										
1 08-50-0061	2578-(224)										
1 08-50-0062	2578-(224)L										
1 08-50-0065	2578-(P224)										
1 08-50-0066	2578-(P224)L										
08-55-0137	2578-(558)A										
	2578-(558)L										
08-50-0018	2578-(102)										
08-50-0019	2578-(102)L										
08-55-0121	2578-(561)										
08-55-0132	2578-(561)L										
08-55-0123	2578-(558)										
	2578-(558)L										
08-65-0109	2578-(555)A										
08-52-0116	2578-(P909)										
08-52-0117	2578-(P9109)L										

CHANGE TO ME10 EC NO: UCP2005-0928 DRW:ADRIANO 2004/11/16 CHK:CSAMEC 2004/11/02 APPR: MARGULLIS 2004/11/02 W	QUALITY SYMBOLS ▽=0 ▽=0	GENERAL TOLERANCES (UNLESS SPECIFIED) <table border="1"> <tr> <th></th> <th>mm</th> <th>INCH</th> </tr> <tr> <td>4 PLACES</td> <td>± .005</td> <td>± .0005</td> </tr> <tr> <td>3 PLACES</td> <td>± .005</td> <td>± .0005</td> </tr> <tr> <td>2 PLACES</td> <td>± .005</td> <td>± .0005</td> </tr> <tr> <td>1 PLACE</td> <td>± .005</td> <td>± .0005</td> </tr> </table>		mm	INCH	4 PLACES	± .005	± .0005	3 PLACES	± .005	± .0005	2 PLACES	± .005	± .0005	1 PLACE	± .005	± .0005	DIMENSION STYLE IN/MM	SCALE INCH	DESIGN UNITS INCH	THIRD ANGLE PROJECTION
		mm	INCH																		
	4 PLACES	± .005	± .0005																		
	3 PLACES	± .005	± .0005																		
2 PLACES	± .005	± .0005																			
1 PLACE	± .005	± .0005																			
DRAWN BY PEREZ/AR	DATE 01/29/87	CHECKED BY PATEL	DATE 01/29/87	APPROVED BY LENZ	DATE 01/29/87	MATERIAL NO. DOCUMENT NO. SD-2578															
DRAFT WHERE APPLICABLE MUST REMAIN WITHIN DIMENSIONS						SIZE D	THIS DRAWING CONTAINS INFORMATION THAT IS PROPRIETARY TO MOLEX INCORPORATED AND SHOULD NOT BE USED WITHOUT WRITTEN PERMISSION														
CRIMP TERMINAL (3,96)/.156 CENTERS 22 TO 26 GA WIRE						MOLEX INCORPORATED	SHEET NO. 2														