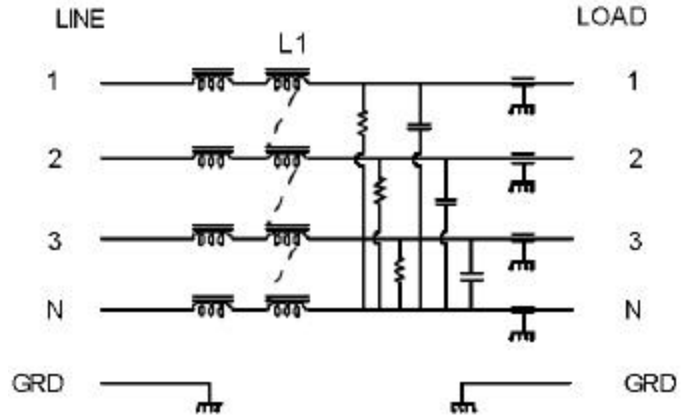




LL-1138 SERIES

The 1138 series is a 3 phase WYE filter. This series is designed to be used with military systems which are requires to meet the conducted emissions of MIL STD -461C / CE03.

Minor modifications can be done to adjust the filter configuration in order to meet any special environmental or vibration specifications.



Operating Voltage = 250/480 V~, 50 / 60 Hz
 Operating Voltage = 125/208 V~, 50 – 400 Hz
 Operating Current = 10, 15 Amp / Phase
 Temperature Range = -20 TO 50 Deg. C
 Diel. Withstand (L-CASE) = 1500 V~ FOR 1 MIN.
 Diel. Withstand (L-L) = 1500 Vdc For 1 Min.
 Leakage Current = 3.8 ma @ 250 V~, 60 Hz
 Discharge Volt after 1.0 second = 24 V Max.
 Maximum Capacitance each line to case = 0.02 uF

Order P/N:
 10 Amp: LL-1138-10
 15 Amp: LL-1138-15

