

AS150 AC Servo Motors



Electrical Specifications:

	AS150-25-150E25	AS150-20-150E25	AS150-20-180E25	AS150-20-230E25		AS150-20-270E25	AS150-15-230E25	
Rated Power (KW)	3.8	3.0	3.6	4.7		5.5	3.6	
Rated Voltage (V)	220	220	220	220	380	220	220	380
Rated Current (A)	17	14	17	21	12	24	17	8.5
Rated Speed (RPM)	2500	2000	2000	2000		2000	1500	
Rated Torque (N.m)	15	15	18	23		27	23	
Peak Torque (N.m)	30	30	36	46		54	46	
Voltage Constant (V/1000r/min)	59	70	71	72	126	64	90	181
Torque Coefficient (N.m/A)	0.88	1.07	1.05	1.09	1.92	1.1	1.35	2.7
Rotor Inertia (Kg.m ²)	3.88x10 ⁻³	3.88x10 ⁻³	4.6x10 ⁻³	5.8x10 ⁻³		6.8x10 ⁻³	5.8x10 ⁻³	
Resistance (Ω)	0.23	0.34	0.255	0.2	0.633	0.125	0.3	1.2
Inductance (mH)	1.08	1.55	1.3	1.06	3.25	0.7	1.66	6.64
Electrical Time Constant (ms)	4.7	4.56	5.1	5.3	5.1	5.6	5.53	5.53
Weight (Kg)	15.2	15.2	17.2	21		23.5	21	
Encoder Resolution (PPR)	2500	2500	2500	2500		2500	2500	
Body Length (L, mm)	230	230	248	278		302	278	

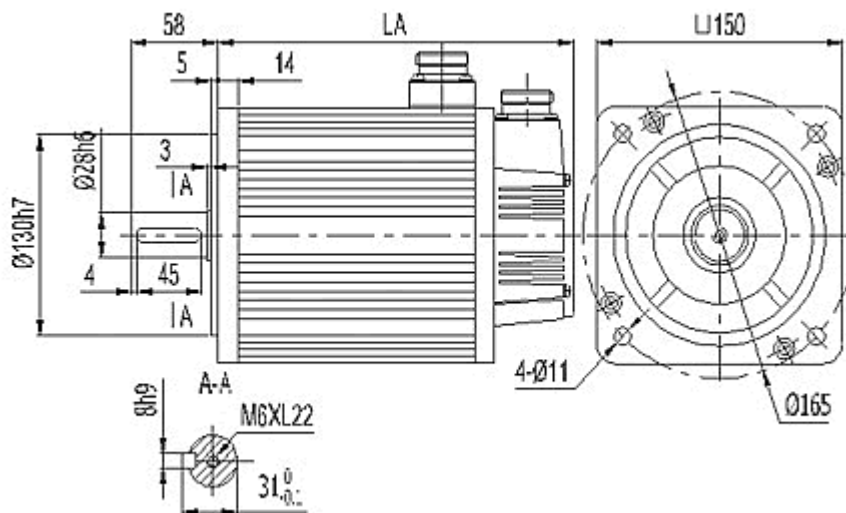
MotionKing (China) Motor Industry Co., Ltd.

General Feature

Insulation Class	Class B (130°C)																
Safety Grade	IP64																
Operating Environment	Temperature: -20°C ~ +50°C Humidity: under<90% (No Dewing)																
Storage Environment	Temperature: -30°C ~ +60°C Humidity: under<90% (No Dewing)																
Winding Connector	Winding Wires	U				V				W				PE			
	Pin No.	1				2				3				4			
Encoder Connector	Signal Wires	5	0V	B+	Z-	U+	Z+	U-	A+	V+	W+	V-	A-	B-	W-	PE	
	Pin No.	2	3	4	5	6	7	8	9	10	11	12	13	14	15	1	

***Note:** We can manufacture products according to customer's requirements. *** 17 Bit absolute encoder is also optional.**

Dimensions: unit=mm



Shaft:

Rated Torque (N.m)	L (mm)
15	230
18	230
23	248
27	278