

PLEASE CHECK WWW.MOLEX.COM FOR LATEST PART INFORMATION

Part Number: [0490572017](#)
Status: **Active**
Description: 2.50mm (.098") Pitch Joint Female Receptacle Assembly, 20 Circuits

Documents:

[Packaging Specification \(PDF\)](#) [Product Specification PS-49057-001 \(PDF\)](#)
[Drawing \(PDF\)](#) [RoHS Certificate of Compliance \(PDF\)](#)

General

Product Family	Crimp Housings
Series	49057
Comments	Polarized to Mating Part
Product Name	N/A

Physical

Circuits (maximum)	20
Color - Resin	Natural
Gender	Female
Glow-Wire Compliant	No
Keying to Mating Part	None
Lock to Mating Part	Yes
Material - Resin	Polyester
Number of Rows	2
Packaging Type	Bag
Panel Mount	No
Pitch - Mating Interface (in)	0.098 In
Pitch - Mating Interface (mm)	2.50 mm
Pitch - Term. Interface (in)	0.098 In
Pitch - Term. Interface (mm)	2.50 mm
Polarized to Mating Part	Yes
Ports	1
Stackable	No
Temperature Range - Operating	-40°C to +80°C

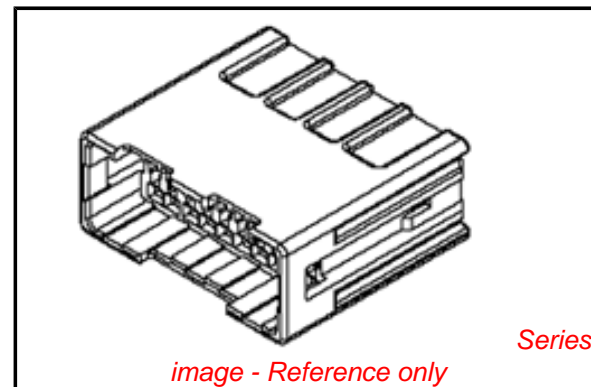
Electrical

Current - Maximum per Contact	10A
-------------------------------	-----

Material Info

Reference - Drawing Numbers

Product Specification	PS-49057-001
Sales Drawing	SD-49057-001



EU RoHS

**ELV and RoHS
Compliant**
REACH SVHC
 Not Reviewed
**Halogen-Free
Status**

China RoHS



**Need more information on product
environmental compliance?**

Email productcompliance@molex.com
 For a multiple part number RoHS Certificate of
 Compliance, [click here](#)

Please visit the [Contact Us](#) section for any
 non-product compliance questions.

Search Parts in this Series

[49057Series](#)

Mates With

[490582010 Assembly](#)

DO NOT SCALE DRAWING
DIMENSION IN METRIC

B

C

PROJECT NO.

SIMILAR ITEM

DWG. NO.
SD-49057-001

8 7 6 5 4 3 2 1

F

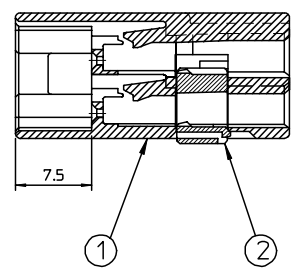
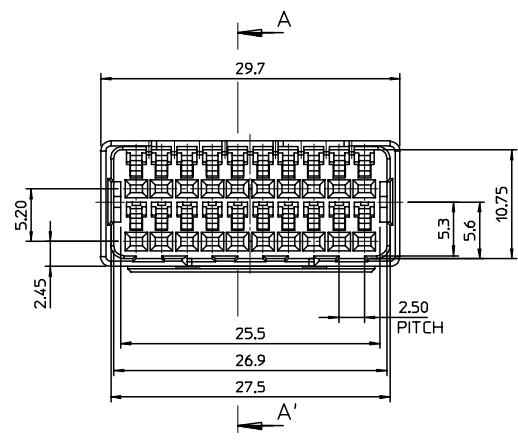
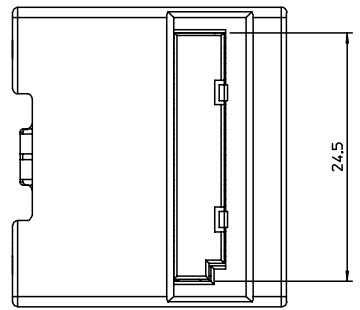
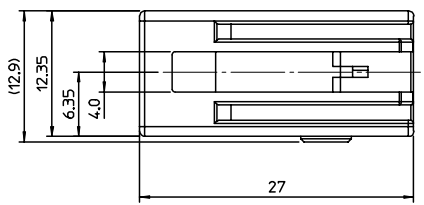
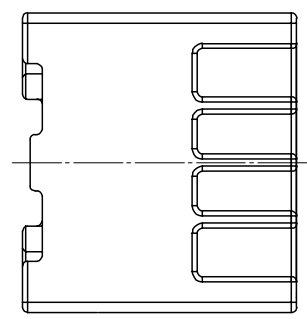
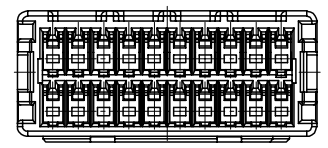
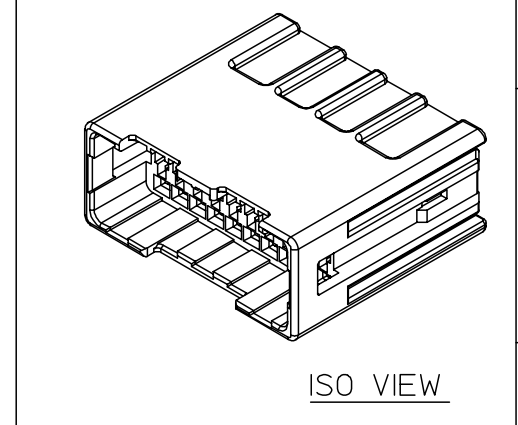
E

D

C

B

A



SECTION A-A'

NO.	PART NAME	PART NO.	MATERIAL	REMARKS
1	F/HSG 20P	490572097	POLYESTER	BROWN
2	F/TPA	355642090	POLYESTER	NATURAL

MATERIAL NO.	ENG. NO.
490572017	49057-2017

NEW RELEASE	ECN NO. KOR2005-0006	DRWNS.MKIM 04/09/06	CHK:K.C.YOON 04/09/06	APPR:C.W.LEE
REV	A	DESCRIPTION		

QUALITY SYMBOLS	MAJOR	CRITICAL
	▲	▽

GENERAL TOLERANCES: (UNLESS SPECIFIED)	
4 PLACES	±0.1
3 PLACES	±0.2
2 PLACES	±0.3
1 PLACE	±0.4
ANGULAR: ± 1 °	
DRAFT WHERE APPLICABLE MUST REMAIN WITHIN DIMENSIONS	

SCALE	DESIGN UNITS
2:1	<input checked="" type="checkbox"/> mm <input type="checkbox"/> INCH
DRAWN BY & DATE	
S.M.KIM 04/03/29	
CHECKED BY & DATE	
B.C.YOON 2004/03/29	
APPROVED BY & DATE	
C.W.LEE 2004/03/29	
CAD FILENAME	
SD49057.MI	

DIMENSIONS:		SHT		REV
<input type="checkbox"/> mm	<input type="checkbox"/> INCH	<input checked="" type="checkbox"/> mm	<input type="checkbox"/> ONLY	REVISE ON CAD ONLY
TITLE:				
JOINT FEMALE CONN. ASS'Y 20P				
MOLEX INCORPORATED				
MATERIAL NO.	DRAWING NO.	SHEET NO.		REV
SEE TABLE	SD-49057-001	10F1		B
THIS DRAWING CONTAINS INFORMATION THAT IS PROPRIETARY TO MOLEX INCORPORATED AND SHOULD NOT BE USED WITHOUT WRITTEN PERMISSION.				

8 7 6 5 4 3 2 1 KOREA MX-A3