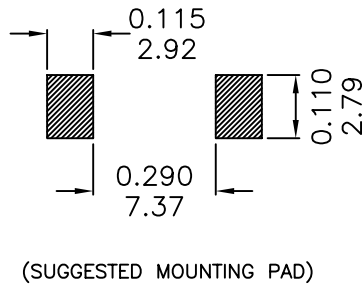
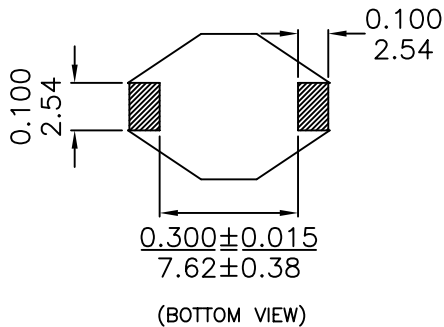
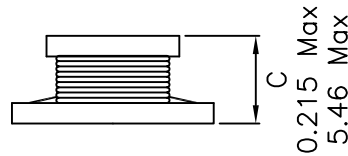
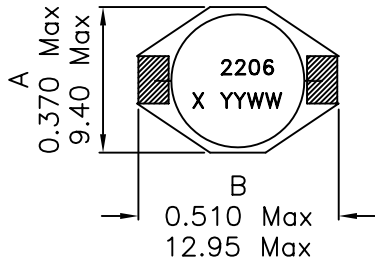
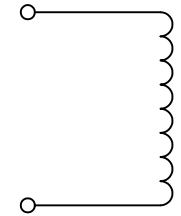


1. Mechanical Dimensions:



2. Schematic:



3. Electrical Specifications: @25°C

INDUCTANCE: 220.0uH±20% @100KHz 0.1V

Q: 6 Min @100KHz 0.1V

DC RESISTANCE: 0.610 OHMS Maximum

Isat: 0.8A_{dc}, 10% drop in OCL

Irms: 0.8A, 40°C Temp Rise

SRF: 5MHz Typ

Notes:

1. Solderability: Leads shall meet MIL-STD-202G, Method 208H for solderability.
2. Flammability: UL94V-0
3. ASTM oxygen index: > 28%
4. Insulation System: Class F 155°C. UL file E151556
5. Operating Temperature Range: All listed parameters are to be within tolerance from -40°C to +85°C
6. Storage Temperature Range: -55°C to +125°C
7. Aqueous wash compatible
8. SMD Lead Coplanarity: ±0.004"(0.102mm)
9. Moisture Sensitivity: Level 0
10. Electrical and mechanical specifications 100% tested
11. RoHS Compliant Component
12. 260°C Reflow Compatible

DOC REV: A/7

XFMRs Inc. www.XFMRS.com		Title: XFMSMD1 SERIES INDUCTORS	
UNLESS OTHERWISE SPECIFIED		P/N: XF2206S1	REV. A
TOLERANCES:		DWN.	Feng
.xxx ±0.010 INCH		CHK.	YK Liao
Dimensions in INCH/MM		APP.	BW
SHEET 1 OF 1			Jan-14-11
			Jan-14-11
			Jan-14-11