

**PLEASE CHECK WWW.MOLEX.COM FOR LATEST PART INFORMATION**

**Part Number:** [5013280222](#)  
**Status:** **Active**  
**Overview:** [inertia lock 330mm wiretowire system](#)  
**Description:** 3.30mm (.130") Pitch Wire-to-Wire Inertia Lock Receptacle Housing, Single Row, 2 Circuits, Red

**Documents:**

[Drawing \(PDF\)](#) [RoHS Certificate of Compliance \(PDF\)](#)  
[Product Specification PS-501328-001 \(PDF\)](#)

**General**

Product Family	Crimp Housings
Series	<a href="#">501328</a>
Overview	<a href="#">inertia lock 330mm wiretowire system</a>
Product Name	Inertia Lock

**Physical**

Circuits (maximum)	2
Color - Resin	Red
Gender	Female
Glow-Wire Compliant	No
Lock to Mating Part	Yes
Material - Resin	Nylon
Number of Rows	1
Packaging Type	Bag
Panel Mount	No
Pitch - Mating Interface (in)	0.130 In
Pitch - Mating Interface (mm)	3.30 mm
Polarized to Mating Part	Yes
Stackable	No
Temperature Range - Operating	-25°C to +80°C

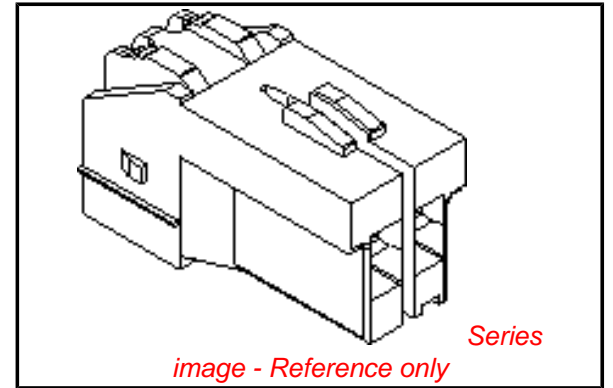
**Electrical**

Current - Maximum per Contact	4A
-------------------------------	----

**Material Info**

**Reference - Drawing Numbers**

Packaging Specification	SPK-501328-001
Product Specification	PS-501328-001, RPS-501328-002, RPS-501328-003
Sales Drawing	SD-501328-001



**EU RoHS**

**ELV and RoHS Compliant**  
**REACH SVHC**  
 Not Reviewed  
**Halogen-Free Status**  
 Not Reviewed

**China RoHS**



**Need more information on product environmental compliance?**

Email [productcompliance@molex.com](mailto:productcompliance@molex.com)  
 For a multiple part number RoHS Certificate of Compliance, [click here](#)

Please visit the [Contact Us](#) section for any non-product compliance questions.

**Search Parts in this Series**

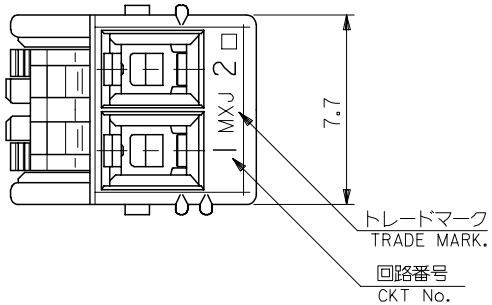
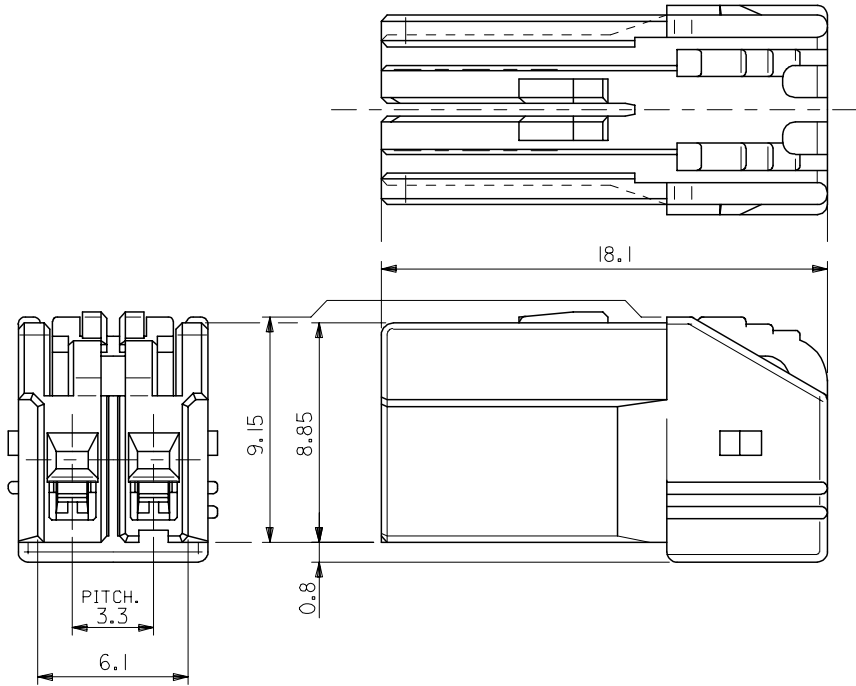
[501328Series](#)

**Mates With**

[501329-0222](#) Plug Housing . [56265](#) Plug Terminal for AWG#18- 20 . [56279](#) Plug Terminal for AWG#22-26

**Use With**

[51348-0213](#) Retainer . [501395](#) Receptacle Terminal for AWG# 18-20 . [500989](#) Receptacle Terminal for AWG#22-26

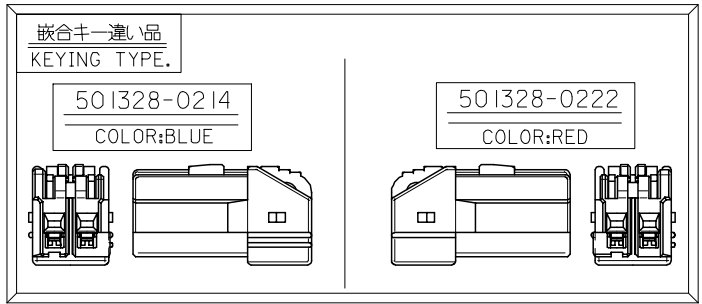
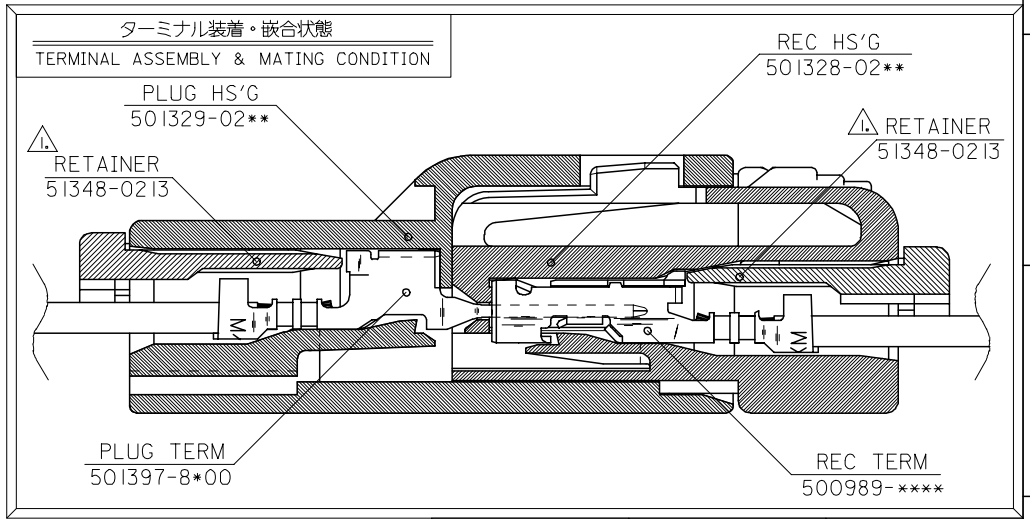


注記  
NOTES.

△ 適合リテーナ : 51348-0213  
APPLICABLE RETAINER  
詳細は SD-51348-001 を参照下さい。  
REFERENCE:SD-51348-001

2. 材料 : NYLON66,UL94V-0  
MATERIAL

本形状は 501328-0200 を示す。  
SHAPE OF 501328-0200



BLUE	501328-0214	501328-02**
RED	501328-0222	
WHITE	501328-0200	
COLOR	MATERIAL No.	MODEL No.

RELEASED EC NO: J2005-2177 DRWN:TODA CHKD:KASAKAWA APPR:SICHIKAWA 2005/03/31 2005/03/31 2005/03/31	GENERAL TOLERANCES (UNLESS SPECIFIED)		DIMENSION STYLE MM ONLY		SCALE 5:1	DESIGN UNITS METRIC	THIRD ANGLE PROJECTION
	10 UNDER	±0.2	DRAWN BY T.ODA	DATE '04/09/30	TITLE 3.3 W/W INERTIA LOCK CONN REC 2CKT		
	10 OVER 30 UNDER	±0.25	CHECKED BY K.ASAKAWA	DATE '04/09/30			
	30 OVER	±0.3	APPROVED BY S.ICHIKAWA	DATE '04/09/30	MOLEX INCORPORATED		
ANGULAR	±3 °	MATERIAL NO.	DOCUMENT NO. SD-501328-001	SHEET NO. 1 OF 1			
DRAFT WHERE APPLICABLE MUST REMAIN WITHIN DIMENSIONS		SEE CHART		THIS DRAWING CONTAINS INFORMATION THAT IS PROPRIETARY TO MOLEX INCORPORATED AND SHOULD NOT BE USED WITHOUT WRITTEN PERMISSION			