

**PLEASE CHECK WWW.MOLEX.COM FOR LATEST PART INFORMATION**

**Part Number:** [0545603001](#)  
**Status:** **Active**  
**Overview:** [qf50](#)  
**Description:** 2.54mm (0.100") Pitch QF-50™ Flat Ribbon Cable Receptacle Upper Housing, 30 Circuits

**Documents:**

[Drawing \(PDF\)](#) [Product Specification PS-54559-005 \(PDF\)](#)  
[Product Specification PS-54559-004 \(PDF\)](#) [RoHS Certificate of Compliance \(PDF\)](#)

**General**

Product Family	Accessories
Series	<a href="#">54560</a>
Application Tooling Part Link	<a href="#">572525000</a>
Application Tooling Part Link	<a href="#">572527000</a>
Component Type	Housing
Overview	<a href="#">qf50</a>
Product Name	QF-50™

**Physical**

Circuits (Loaded)	30
Color - Resin	Black
Material - Resin	Polyester
Number of Rows	2
Packaging Type	Tray
Temperature Range - Operating	-40°C to +85°C

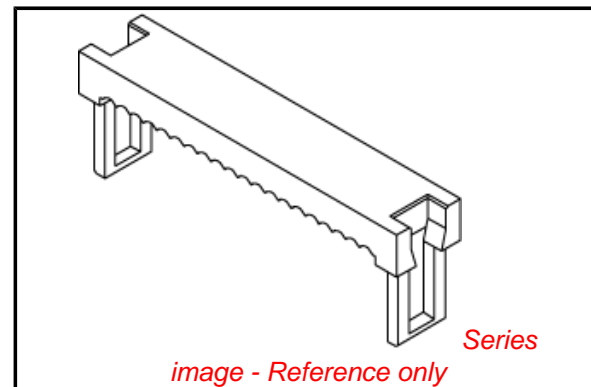
**Electrical**

Current - Maximum per Contact	1A
-------------------------------	----

**Material Info**

**Reference - Drawing Numbers**

Product Specification	PS-54559-004, PS-54559-005, RPS-54559-008, RPS-54559-010, RPS-54559-012, RPS-54559-014, RPS-54559-015, RPS-54559-016, RPS-54559-017
Sales Drawing	SD-54560-002, SD-54561-002



**EU RoHS**

**ELV and RoHS Compliant**  
**REACH SVHC Contains SVHC: No**  
**Halogen-Free Status**

**China RoHS**



**Not Reviewed**

**Need more information on product environmental compliance?**

Email [productcompliance@molex.com](mailto:productcompliance@molex.com)  
 For a multiple part number RoHS Certificate of Compliance, [click here](#)

Please visit the [Contact Us](#) section for any non-product compliance questions.

**Search Parts in this Series**

[54560Series](#)

**Use With**

[54561](#) Strain Relief, [54559](#) Receptacle Housing

**Application Tooling | FAQ**

*Tooling specifications and manuals are found by selecting the products below. Crimp Height Specifications are then contained in the Application Tooling Specification document.*

**Japan**

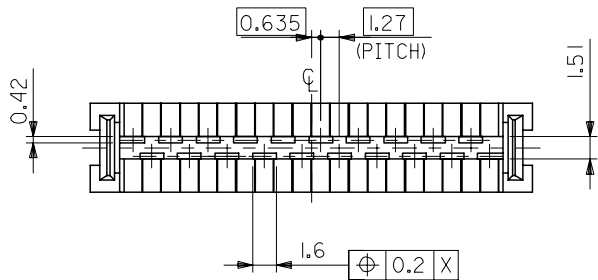
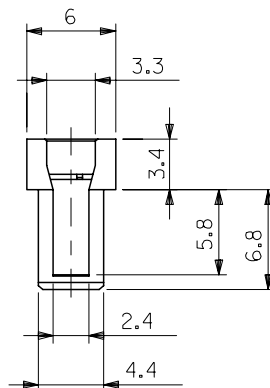
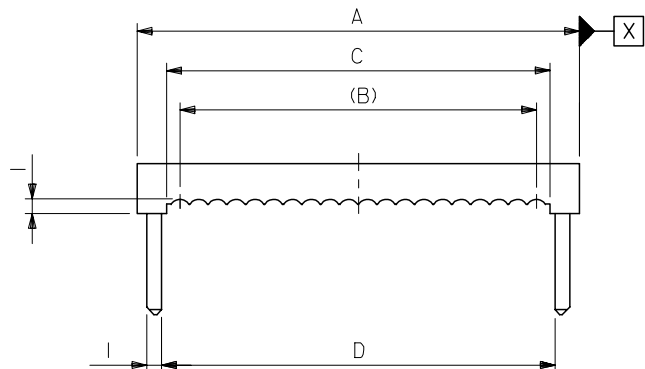
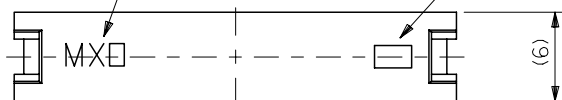
Description	Product #
IDT Hand Tool Assembly For MIL Connector	<a href="#">0572525000</a>
IDT Machine For MIL IDT Connector	<a href="#">0572527000</a>

**PLEASE CHECK [WWW.MOLEX.COM](http://WWW.MOLEX.COM) FOR LATEST PART INFORMATION**

10 9 8 7 6 5 4 3 2 1

△トレードマーク  
TRADE MARK

△キャビティ番号、金型番号  
CAVITY NO. & MOLD NO.



注記  
NOTES

- 1. 適合ハウジングアッセンブリ : 54559-\*\*\*I, 54559-\*\*\*4I  
APPLICABLE UPPER HSG ASS'Y : 54559-\*\*\*I, 54559-\*\*\*4I  
適合ストレーンリリフ : 54561-\*\*\*\*  
APPLICABLE STRAIN RELIEF : 54561-\*\*\*0I

△トレードマーク : MX プラス 製造工場を示すアルファベットにて構成  
但し、"J" は JAPAN を示す。(例 : MX J)  
キャビティ番号 : 数字で表示。  
金型番号 : アルファベットにて構成。

FORMED BY MX AND ALPHABET WHICH MEAN  
THE MANUFACTORY, BUT "J" MEANS JAPAN. (TO TRADE MARK)  
(e.g. MXJ)  
AND BY NUMBERS (TO CAVITY NO.)  
AND BY ALPHABET (TO MOLD NO.)

82.51	81.48	80.01	85.85	54560-640I	64
77.43	76.4	74.93	80.77	54560-600I	60
64.73	63.7	62.23	68.07	54560-500I	50
52.03	51	49.53	55.37	54560-400I	40
44.41	43.38	41.91	47.75	54560-340I	34
39.33	38.3	36.83	42.67	54560-300I	30
34.25	33.22	31.75	37.59	54560-260I	26
26.63	25.6	24.13	29.97	54560-200I	20
21.55	20.52	19.05	24.89	54560-160I	16
19.01	17.98	16.51	22.35	54560-140I	14
13.93	12.9	11.43	17.27	54560-100I	10
D	C	B	A	MATERIAL NO.	CKT.

MATERIAL

PBT, UL94V-0 (黒色)  
(COLOR : BLACK)

REVISED  
EC NO: J2007-2853  
DRWN: MABEI 2007/04/13  
CHKD: MAEDA 2007/04/13  
APPR: NUKITA 2007/04/13

GENERAL TOLERANCES (UNLESS SPECIFIED)	
10 UNDER	±0.2
10 OVER 30 UNDER	±0.25
30 OVER	±0.3
ANGULAR	±3 °
DRAFT WHERE APPLICABLE MUST REMAIN WITHIN DIMENSIONS	

DIMENSION STYLE MM ONLY	
DRAWN BY S. MATSUZAKI	DATE '99/03/04
CHECKED BY S. KUNISHI	DATE '03/08/06
APPROVED BY T. YAMAGUCHI	DATE '03/08/06
MATERIAL NO. SEE CHART	
SIZE A3	

SCALE 3:1	DESIGN UNITS METRIC	THIRD ANGLE PROJECTION
MODEL NO. 54560-***0I		
TITLE 2.54 FLAT CABLE CONN UPPER HSG		
MOLEX INCORPORATED		
DOCUMENT NO. SD-54560-002	SHEET NO. 1 OF 1	

10 9 8 7 6 5 4 3 2 1

F

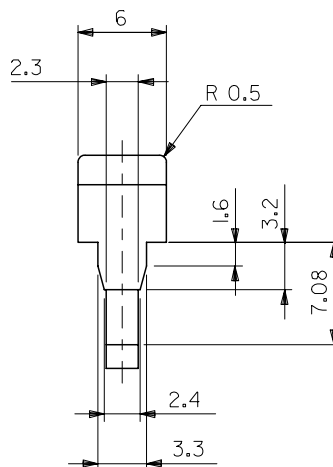
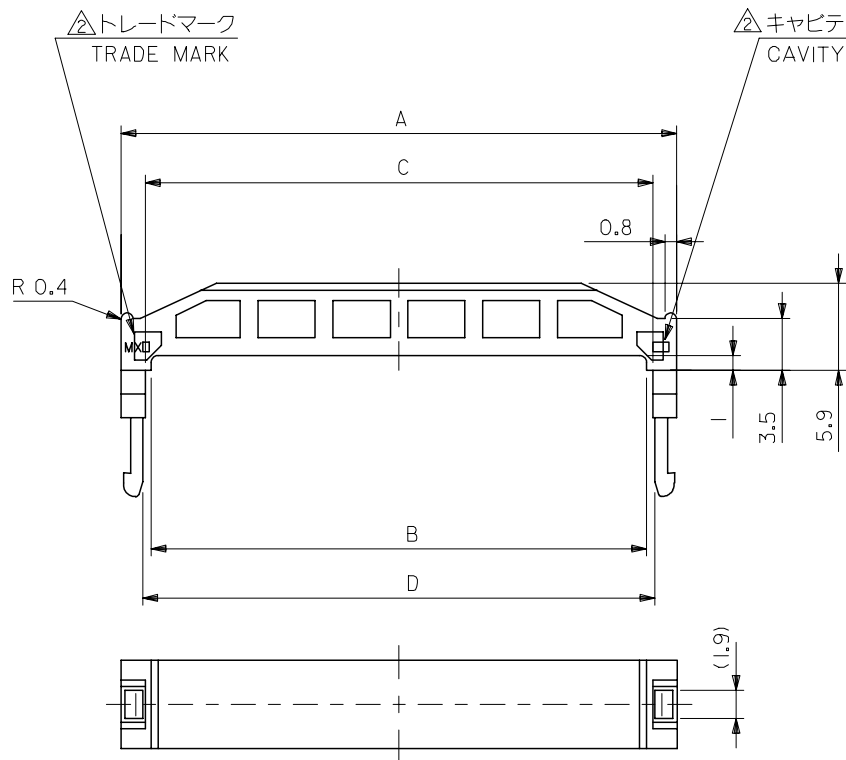
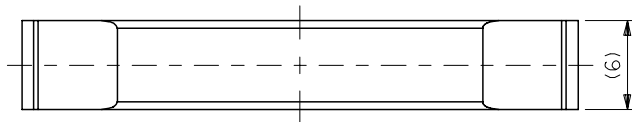
E

D

C

B

A



注記  
NOTES

- 1. 適合ハウジングアッセンブリ : 54559-\*\*1I, 54559-\*\*\*4I  
 APPLICABLE UPPER HSG ASS'Y : 54559-\*\*1I, 54559-\*\*\*4I  
 適合アッパーハウジング : 54560-\*\*0I  
 APPLICABLE STRAIN RELIEF : 54560-\*\*0I

△トレードマーク : MX プラス 製造工場を示すアルファベットにて構成  
 但し、\* J \* は JAPAN を示す。(例 MX J)  
 キャビティ番号 : 数字で表示。  
 金型番号 : アルファベットにて構成。

FORMED BY MX AND ALPHABET WHICH MEAN  
 THE MANUFACTORY, BUT "J" MEANS JAPAN. (TO TRADE MARK)  
 (e.g. MXJ)  
 AND BY NUMBERS (TO CAVITY NO.)  
 AND BY ALPHABET (TO MOLD NO.)

82.9I	82.6I	81.8I	85.85	5456I-640I	64
77.83	77.53	76.73	80.77	5456I-600I	60
65.13	64.83	64.03	68.07	5456I-500I	50
52.43	52.13	51.33	55.37	5456I-400I	40
44.8I	44.5I	43.7I	47.75	5456I-340I	34
39.73	39.43	38.63	42.67	5456I-300I	30
34.65	34.05	33.55	37.59	5456I-260I	26
27.03	26.73	25.93	29.97	5456I-200I	20
21.95	21.65	20.85	24.89	5456I-160I	16
19.4I	19.1I	18.3I	22.35	5456I-140I	14
14.33	14.03	13.23	17.27	5456I-100I	10
D	C	B	A	MATERIAL NO.	CKT.

材料 MATERIAL	PBT , UL94V-0 (黒色) (COLOR BLACK)
仕上げ FINISH	— # —
適用電線範囲 WIRE RANGE	— # —
被覆外径 INS. RANGE	— # —

REVISED	EC NO: J2007-2853	2007/04/13
DRWN: MABEI	2007/04/13	
CHKD: YMAEDA	2007/04/13	
APPR: NUKITA	2007/04/13	
DESCRIPTION		
REV	J	

GENERAL TOLERANCES  
(UNLESS SPECIFIED)

10 UNDER	± 0.2
10 OVER 30 UNDER	± 0.25
30 OVER	± 0.3
ANGULAR	± 3 °

DRAFT WHERE APPLICABLE  
MUST REMAIN  
WITHIN DIMENSIONS

DIMENSION STYLE  
MM ONLY

DRAWN BY	DATE
SMATSUZAKI	'99/03/04
CHECKED BY	DATE
SKUNISHI	'03/08/06
APPROVED BY	DATE
TYAMAGUCHI	'03/08/06

MATERIAL NO.  
SEE CHART

SIZE  
A3

SCALE  
3:1

DESIGN UNITS  
METRIC

2.54 FLAT CABLE CONN  
REC STRAIN RELIEF

MOLEX MOLEX INCORPORATED

DOCUMENT NO.  
SD-54561-002

SHEET NO.  
1 OF 1

THIS DRAWING CONTAINS INFORMATION THAT IS PROPRIETARY TO MOLEX  
INCORPORATED AND SHOULD NOT BE USED WITHOUT WRITTEN PERMISSION

9

8

7

6

5

4

3

2