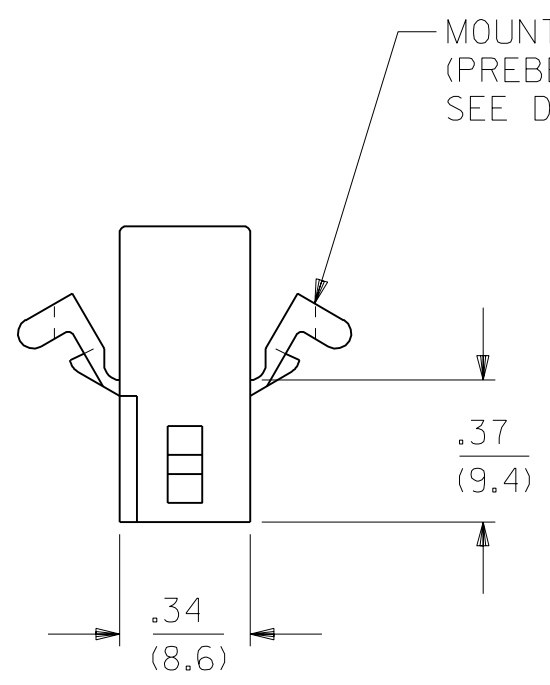
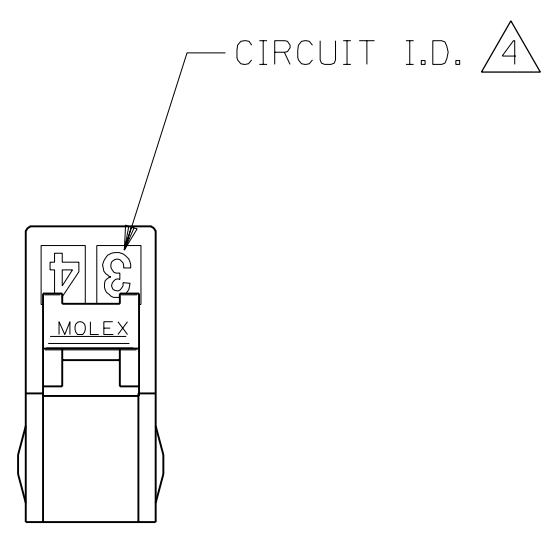
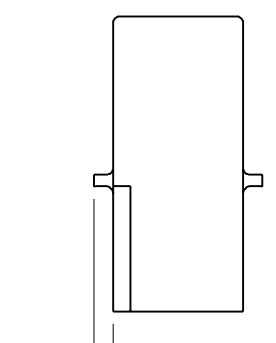
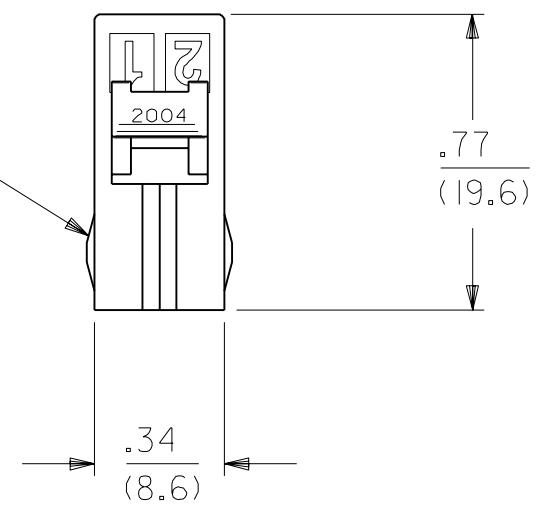


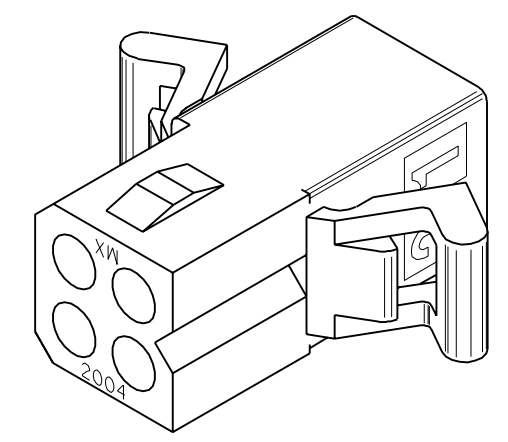
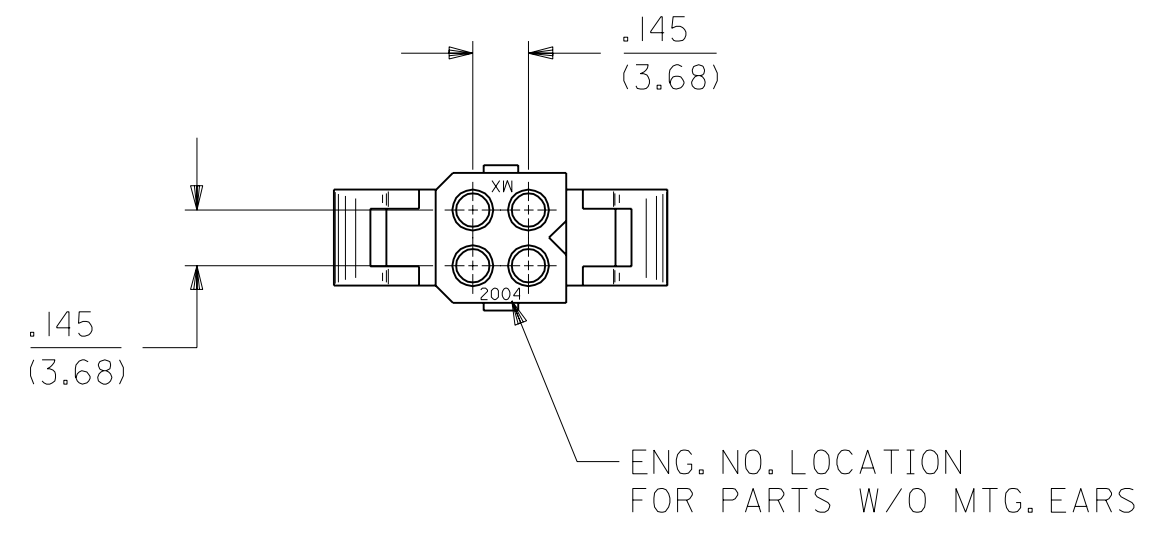
DETAIL 1
POSITIVE LOCK VERSION
ENG. NO. 2004-R5*



PASSIVE LOCK VERSION



ALLOWANCE OF $\frac{.000}{.060}$ (2 PL.) FOR CUT OFF OF MOUNTING EARS
DETAIL 2
RECEPTACLE WITHOUT EARS OR DETENTS, ENG. NO. 2004-R3*



RECEPTACLE HOUSING

DIMENSIONS SHOWN (METRIC) INCH UNLESS OTHERWISE SPECIFIED TOLERANCES: ANGULAR $\pm \frac{1}{2} \phi$		$\nabla = 0$ $\blacktriangledown = 0$ REVISE ONLY ON CAD SYSTEM													
<table border="1"> <thead> <tr> <th></th> <th>INCH</th> <th>METRIC</th> </tr> </thead> <tbody> <tr> <td>3 PLACE</td> <td>$\pm .010$</td> <td>---</td> </tr> <tr> <td>2 PLACE</td> <td>$\pm .014$</td> <td>± 0.25</td> </tr> <tr> <td>1 PLACE</td> <td>---</td> <td>± 0.36</td> </tr> </tbody> </table>			INCH	METRIC	3 PLACE	$\pm .010$	---	2 PLACE	$\pm .014$	± 0.25	1 PLACE	---	± 0.36	TITLE PLUG AND RECEPTACLE HOUSINGS, 4 CIRCUIT .062/(1.57) DIA.	
	INCH	METRIC													
3 PLACE	$\pm .010$	---													
2 PLACE	$\pm .014$	± 0.25													
1 PLACE	---	± 0.36													
DRAFT WHERE APPLICABLE MUST REMAIN WITHIN DIMENSIONS		MOLEX INCORPORATED LITSE, ILL. 60532 U.S.A.													
DRWG. BY: GJC		SHEET NO. 2 DATE 8/27/91													
CHK'D. BY: RW		PART NO. SD-2004-*													
APP'D. BY: RS		FILE NAME H2004C4 S05													
SCALE 4: 1		THIS DRAWING CONTAINS INFORMATION THAT IS PROPRIETARY TO MOLEX INC. AND SHOULD NOT BE USED WITHOUT WRITTEN PERMISSION.													
LTR.	REVISIONS	LTR.	REVISIONS												

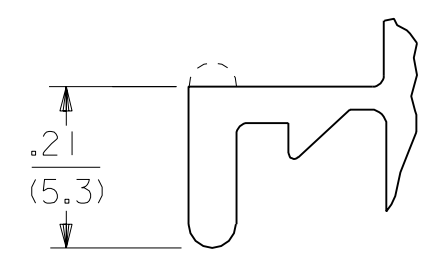
PLUG		
PART NO.	ENG. NO.	
03-06-2043	2004-P	
03-06-7043	2004-PBK	
03-06-2044	2004-P1	
03-06-7044	2004-P1BK	
PRELIMINARY	2004-P2	
03-06-7045	2004-P1RD	OBSOLETE
03-06-7046	2004-P1BN	OBSOLETE
03-06-7047	2004-P1OR	OBSOLETE

RECEPTACLE		
PART NO.	ENG. NO.	
03-06-1043	2004-R	
03-06-6043	2004-RBK	
03-06-1044	2004-R1	
03-06-6044	2004-R1BK	OBSOLETE
03-06-1046	2004-R3	OBSOLETE
03-06-1052	2004-R5	OBSOLETE
03-06-6052	2004-R5BK	OBSOLETE
PRELIMINARY	2004-R2	
03-06-6045	2004-RRD	OBSOLETE
03-06-6046	2004-RBN	OBSOLETE
03-06-6048	2004-ROR	OBSOLETE

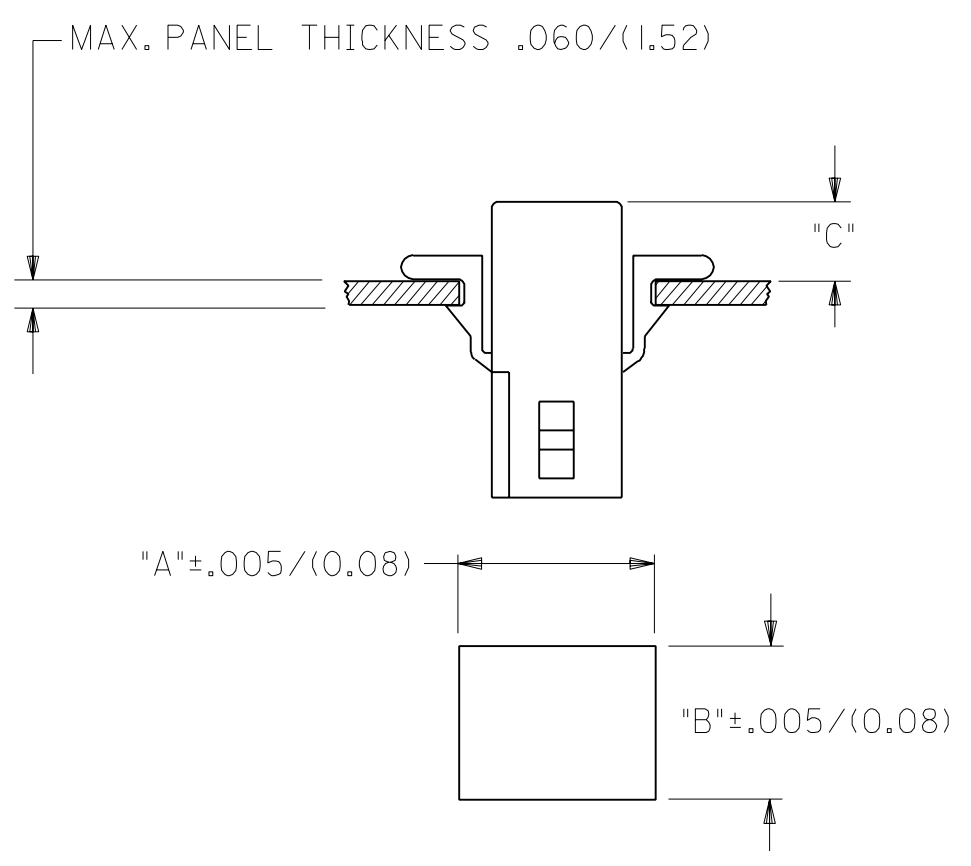
LEGEND:

2004-***
 P = PLUG
 R = RECEPTACLE
 BLANK = WITH STANDARD EARS
 1 = WITHOUT EARS
 2 = WITH PREBENT EARS
 3 = W/O EARS, W/O DETENTS
 5 = W/O EARS, WITH POSITIVE LOCKS

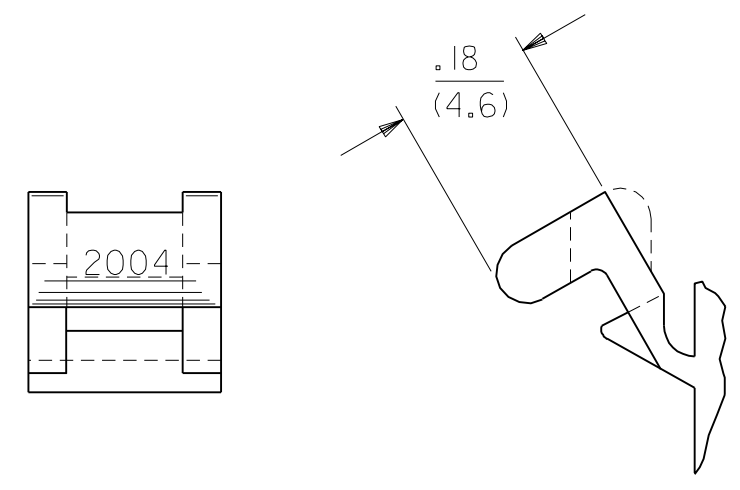
COLOR:
 BLANK = NATURAL
 AM=AMBER BK=BLACK BU=BLUE
 BN=BROWN GY=GRAY GN=GREEN
 OR=ORANGE RD=RED YW=YELLOW



NOTE:
 THIS DRAWING ENCOMPASSES ALL 2004 SERIES HOUSINGS EXCEPT 2004-R7.



- NOTES:**
- MATERIAL - NYLON TYPE 6/6, 94V-2
 - THIS PRODUCT COMPLIES WITH MOLEX PRODUCT SPEC 02-06.
 - HOUSINGS FOR USE WITH MOLEX .062/(1.57) DIA. SERIES TERMINALS.
 - CIRCUIT I.D. NUMBERS ON SIDE OF HOUSING APPEAR ON PARTS FROM TOOLS BUILT AFTER 8/26/91.
 - THIS DIMENSION .020/(0.51) LESS ON TOOLS BUILT PRIOR TO 8/26/91.



RECOMMENDED HOLE PATTERN

HOUSING	DIM. "A"	DIM. "B"	PREBENT EAR DIM. "C"	STD. EAR DIM. "C"
PLUG	.615 (15.62)	.465 (11.81)	.26 (6.6)	.26 (6.6)
RECEPTACLE	.506 (12.85)	.400 (10.16)	.24 (6.1)	.24 (6.1)

DETAIL 4

PREBENT MOUNTING EARS
 (SCALE 4:1)

DETAIL 3

STANDARD MOUNTING EARS
 (SCALE 4:1)

DIMENSIONS SHOWN (METRIC) INCH		▽ = 0	▼ = 0	REVISE ONLY ON CAD SYSTEM
UNLESS OTHERWISE SPECIFIED TOLERANCES: ANGULAR ± 10°		TITLE		
INCH METRIC		PLUG AND RECEPTACLE HOUSINGS, 4 CIRCUIT .062/(1.57) DIA.		
3 PLACE ± .010	---	MOLEX INCORPORATED		
2 PLACE ± .014	± 0.25	LITSLER, ILL. 60532 U.S.A.		
1 PLACE ---	± 0.36	SHEET NO. 3 DATE 8/28/91		
DRAFT WHERE APPLICABLE MUST REMAIN WITHIN DIMENSIONS		PART NO. SD-2004-*		
DRWG. BY JJS	CHK'D. BY RW	SEE CHART		
APP'D. BY RS	SCALE 2 : 1	FILE NAME H2004C4 S06		
LTR.	REVISIONS	THIS DRAWING CONTAINS INFORMATION THAT IS PROPRIETARY TO MOLEX INC. AND SHOULD NOT BE USED WITHOUT WRITTEN PERMISSION.		
LTR.	REVISIONS	DIV. CP SIZE C		