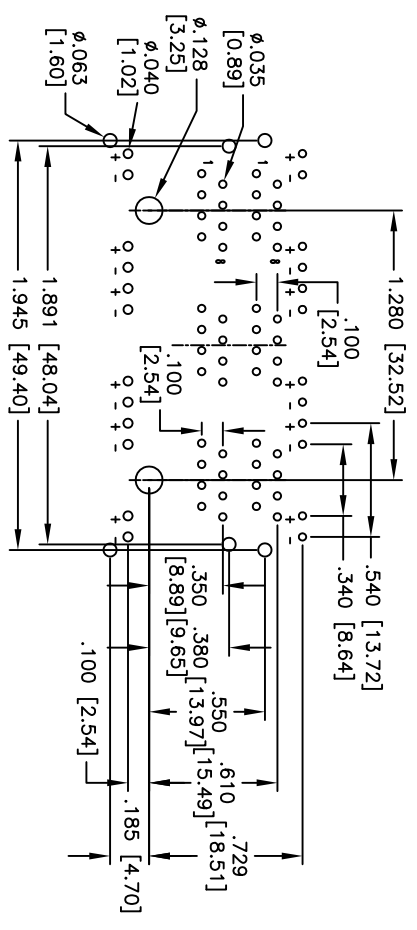
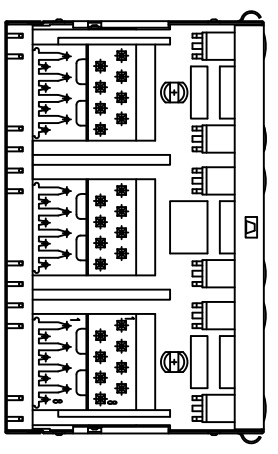
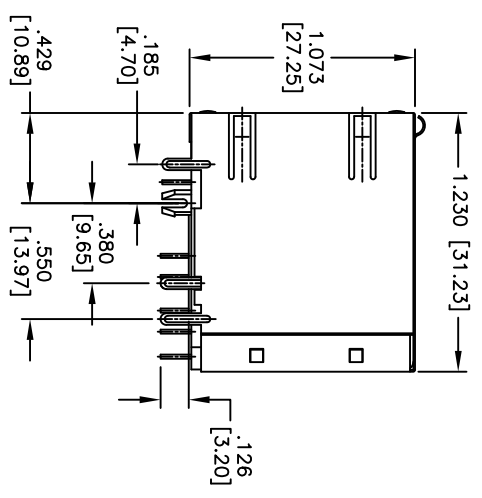
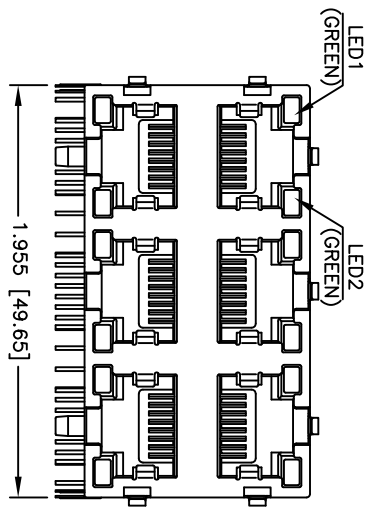


Rev	AWO #	Description	Date	Appr
-		RELEASED	12/08/10	

APPROVED: \_\_\_\_\_  
 DATE: \_\_\_\_\_ TITLE: \_\_\_\_\_



**SPECIFICATIONS:**  
 Material: \_\_\_\_\_  
 Insulator: PBT, rated UL 94V-0  
 Insulator color: Black  
 Contacts: Phosphor Bronze  
 Shield: Copper Alloy, Nickel plated  
 Plating: \_\_\_\_\_  
 Gold over Nickel underplate on contact area,  
 Tin over Copper underplate on PCB tails.  
 (See chart for thickness)

**Electrical:**  
 Operating voltage: 125 VAC max  
 Current rating: 1.5 Amps max  
 Contact resistance: 30 mohms  
 Insulation resistance: 1000 Mohms min @ 500 VDC  
 Dielectric strength: 1000 VAC for 1 minute  
 Temperature Rating: \_\_\_\_\_  
 Operating temperature: -40°C to +85°C

"X"	PLATING
0	15 uin Gold
1	30 uin Gold
2	50 uin Gold

UNLESS OTHERWISE SPECIFIED  
 ALL DIMENSIONS ARE MM [INCHES]  
 TOLERANCES: EXCEPT AS NOTED  
 INCHES

.X	± .10	ØX	± .10
.XX	± .020	ØXX	± .015
.XXX	± .015	ØXXX	± .010

APPROVALS: \_\_\_\_\_ DATE: \_\_\_\_\_  
 DRAWN: DY 12/08/10  
 CHECKED: \_\_\_\_\_  
 APPROVED: \_\_\_\_\_

**ADAM TECH**  
 909 Rahway Avenue, Union, NJ 07083  
 Phone: 908-687-5000 Fax: 908-687-0214

TITLE: **MODULAR JACK GANGED, 6 PORT, 8P8C  
 W/ LED1 GREEN, LED2 GREEN**

SIZE: X PART NO.: MTJG-6-88JX1-FS-PG-LD-SPB  
 REF: S0067T SCALE: NTS SHEET 1 OF 1

