

High Performance AC/DC Primary-Side Rapid Charge™ PWM Controller Supporting XM-Comm Technology

1 Description

The iW1798 is a high performance AC/DC power supply controller for Rapid Charge applications that uses transformer communication (XM-Comm) technology to minimize external component count and simplify system design. The iW1798 can support high power applications with power ratings of 45W or up and it can support voltage step requests up to 21V. The device operates in quasi-resonant mode to provide high efficiency and it also provides a number of key built-in protection features. The iW1798 can achieve tight multi-level constant voltage and multi-level constant current regulation without a traditional secondary feedback circuit. It also eliminates the need for loop compensation components while maintaining stability over all operating conditions.

The iW1798 is optimized to work with Dialog's secondary-side controller supporting XM-Comm technology for various rapid charge protocols, such as Qualcomm® Quick Charge™ 2.0 and 3.0 technologies, Huawei Fast Charger Protocol (FCP), and USB Power Delivery (PD), to achieve fast and smooth voltage transitions upon request by mobile devices (MD). When paired with the iW662/3, the iW1798 completely eliminates the optocoupler between primary and secondary side. Using Dialog's proprietary transformer communication technology, XM-Comm, the iW662/3 can communicate with the iW1798 to send output voltage requests, output current limits, output voltage undershoot and over voltage information without any additional external components. The iW1798 paired with the iW662/3 can provide fast dynamic load response in typical AC/DC rapid charge adapter designs.

The iW1798 can provide no-load power consumption for a typical 5V output setting of less than 75mW with ample margin. The no-load power consumption can be reduced to less than 20mW with an optional, external active start-up DFET.

Dialog's innovative proprietary technology ensures that power supplies designed with the iW1798 and iW662/3 can provide various output voltage configurations for QC2.0/QC3.0/FCP/USB PD and other proprietary protocols, with various user-selected output current limit combinations.

Qualcomm® Quick Charge™ 2.0 and 3.0 are products of Qualcomm Technologies, Inc.

2 Features

- Supports 45W or up application circuit designs
- Supports 10mV voltage step request up to 21V required by USB PD programmable power supply (PPS) or other proprietary rapid charge protocols
- Integrated XM-Comm technology eliminates secondary-to-primary optocoupler
 - » Transformer communication for all the rapid charge information: output voltage request, output current limit, output voltage undershoot, and over-voltage protection
- RC charging VCC technology enables ultra-low no-load power of < 75mW with ample margin at 230V_{AC} and 5V output voltage setting
 - » < 20mW achievable (at 230V_{AC}/5V_{OUT}) with an external active startup circuit
- High VCC pin voltage rating eliminates external V_{VCC} LDO
- Tight multi-level constant-voltage and multi-level constant-current regulation with primary-side feedback and control
- Fast dynamic load response (DLR)
- Proprietary optimized load adaptive maximum constant frequency PWM switching with quasi-resonant operation achieves best size, efficiency, and common mode noise
- Multi-mode PWM/PFM control improves efficiency at various load conditions
- User-configurable 4-level cable drop compensation independent of output voltage
- **EZ-EMI™** design enhances manufacturability
- Built-in single-point fault protections against output short-circuit including soft short and half short, output over-voltage, and output over-current
- Advance fault control technology addresses issues of soft shorts in cables and connectors by effectively reducing the average output power at fault conditions without latch
- Dual over-temperature protection with both internal OTP and external shutdown control
- No audible noise over entire operating range
- Supports rapid charge technologies, such as QC 2.0 and 3.0 technologies, FCP and USB PD

High Performance AC/DC Primary-Side Rapid Charge™ PWM Controller Supporting XM-Comm Technology

3 Applications

- Rapid-charging AC/DC adapters for smart phones, tablets and other portable devices

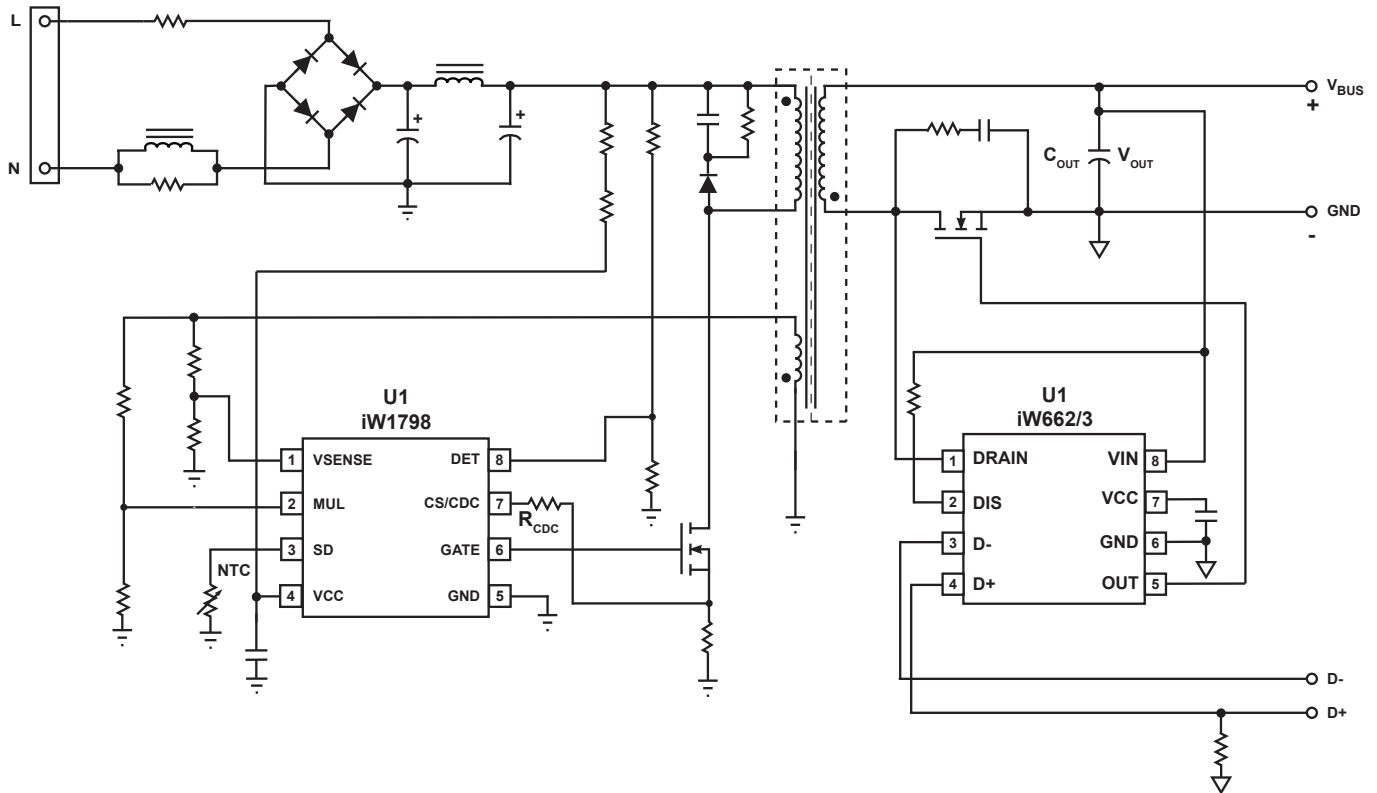


Figure 3.1 : iW1798 Typical Application Circuit for Multi-Level Output Voltage and Current (Using iW662/3 as Secondary-Side Controller for Rapid Charge Protocols. Achieving < 75mW No-Load Power Consumption in Typical 15W Design.)

High Performance AC/DC Primary-Side Rapid Charge™ PWM Controller Supporting XM-Comm Technology

4 Pinout Description

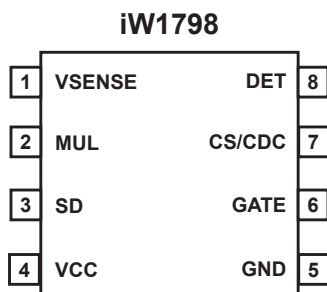


Figure 4.1 : 8-Lead 8SOIC Package

| Pin Number | Pin Name | Type | Pin Description |
|------------|----------|---------------|------------------------------------------------------------------------------------------------------------------------------------------------------------------------------------------|
| 1 | VSENSE | Analog Input | Auxiliary voltage sense. Used for primary-side regulation and secondary-to-primary communication through main transformer |
| 2 | MUL | Analog Output | Used for auxiliary winding open detection and/or ASU control. |
| 3 | SD | Analog input | Used for external shutdown control. Can be configured for external over-temperature protection (OTP) by connecting an NTC resistor from this pin to Ground. |
| 4 | VCC | Power Input | IC power supply. |
| 5 | GND | GND | Ground |
| 6 | GATE | Output | Gate drive for external MOSFET switch. |
| 7 | CS/CDC | Analog Input | Primary-side current sense. Used for cycle-by-cycle peak-current control and limit in primary-side CV/CC regulation. During configuration stage, used for config CDC compensation level. |
| 8 | DET | Analog Input | Used for external V_{VIN} OVP protection or X-cap discharge. Note: for external V_{VIN} OVP protection or X-cap discharge, additional components are required on the DET pin. |

High Performance AC/DC Primary-Side Rapid Charge™ PWM Controller Supporting XM-Comm Technology

5 Absolute Maximum Ratings

Absolute maximum ratings are the parameter values or ranges which can cause permanent damage if exceeded. For maximum safe operating conditions, refer to the Electrical Characteristics section.

| Parameter | Symbol | Value | Units |
|--------------------------------------------------------------------|---------------|--------------|-------|
| DC supply voltage range (pin 1, $I_{VCC} = 20\text{mA max}$) | V_{VCC} | -0.3 to 45.0 | V |
| Continuous DC supply current at VCC pin ($V_{VCC} = 15\text{V}$) | I_{VCC} | 20 | mA |
| VSENSE input (pin 2, $I_{VSENSE} \leq 10\text{mA}$) | | -0.7 to 10.0 | V |
| MUL (pin 2) | | -0.7 to 5.0 | V |
| CS/CDC (pin 7) | | -0.7 to 5.0 | V |
| GATE (pin 6) | | -0.3 to 30 | V |
| SD (pin 3) | | -0.7 to 5.5 | V |
| DET (pin 8) | | -0.7 to 5.0 | V |
| Maximum junction temperature | T_{JMAX} | 150 | °C |
| Operating junction temperature | T_{JOPT} | -40 to 150 | °C |
| Storage temperature | T_{STG} | -65 to 150 | °C |
| Thermal resistance junction-to-ambient | θ_{JA} | 160 | °C/W |
| ESD rating per JEDEC JS-001-2017 | | $\pm 2,000$ | V |
| Latch-up test per JESD78E | | ± 100 | mA |

Note 1. Stresses beyond those listed under “Absolute maximum ratings” may cause permanent damage to the device. These are stress ratings only, so functional operation of the device at these or any other conditions beyond those indicated in the operational sections of the specification are not implied. Exposure to absolute maximum rating conditions for extended periods may affect device reliability.

High Performance AC/DC Primary-Side Rapid Charge™ PWM Controller Supporting XM-Comm Technology

6 Physical Dimensions

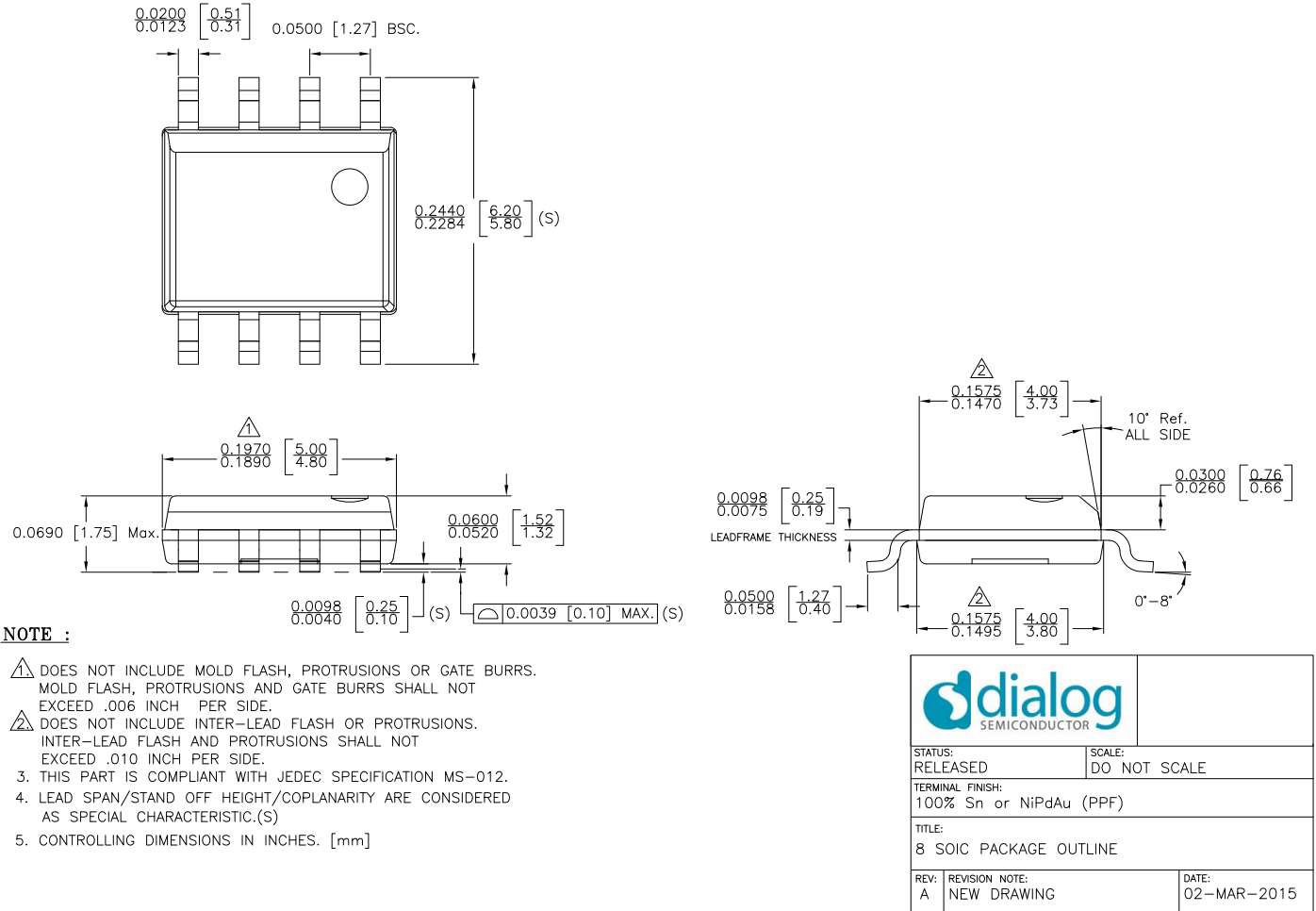


Figure 6.1 : SOIC-8 package outline drawing

7 Ordering Information

| Part Number | Options | | | | | | | Package | Description |
|-------------|--------------------|------------------------------|---------------------|----------------|--------------------|-----------------------------------------------|----------------------------------|---------|--------------------------|
| | Protocol Supported | Default k_{CC} at Start-up | CC Shutdown Voltage | OVP/ OTP Latch | CC Shut-down Latch | Supported DLNK Voltage Information Resolution | V_{VIN} OVP or X-cap discharge | | |
| iW1798-38 | USB PD/QC | 0.5 | 3.0V | No | No | 10mV/Step up to 21V | V_{VIN} OVP | SOIC-8 | Tape & Reel ¹ |

Note 1: Tape & Reel packing quantity is 2,500/reel. Minimum packing quantity is 2,500.

High Performance AC/DC Primary-Side Rapid Charge™ PWM Controller Supporting XM-Comm Technology

IMPORTANT NOTICE AND DISCLAIMER

RENESAS ELECTRONICS CORPORATION AND ITS SUBSIDIARIES (“RENESAS”) PROVIDES TECHNICAL SPECIFICATIONS AND RELIABILITY DATA (INCLUDING DATASHEETS), DESIGN RESOURCES (INCLUDING REFERENCE DESIGNS), APPLICATION OR OTHER DESIGN ADVICE, WEB TOOLS, SAFETY INFORMATION, AND OTHER RESOURCES “AS IS” AND WITH ALL FAULTS, AND DISCLAIMS ALL WARRANTIES, EXPRESS OR IMPLIED, INCLUDING, WITHOUT LIMITATION, ANY IMPLIED WARRANTIES OF MERCHANTABILITY, FITNESS FOR A PARTICULAR PURPOSE, OR NON-INFRINGEMENT OF THIRD PARTY INTELLECTUAL PROPERTY RIGHTS.

These resources are intended for developers skilled in the art designing with Renesas products. You are solely responsible for (1) selecting the appropriate products for your application, (2) designing, validating, and testing your application, and (3) ensuring your application meets applicable standards, and any other safety, security, or other requirements. These resources are subject to change without notice. Renesas grants you permission to use these resources only for development of an application that uses Renesas products. Other reproduction or use of these resources is strictly prohibited. No license is granted to any other Renesas intellectual property or to any third party intellectual property. Renesas disclaims responsibility for, and you will fully indemnify Renesas and its representatives against, any claims, damages, costs, losses, or liabilities arising out of your use of these resources. Renesas’ products are provided only subject to Renesas’ Terms and Conditions of Sale or other applicable terms agreed to in writing. No use of any Renesas resources expands or otherwise alters any applicable warranties or warranty disclaimers for these products.

© 2022 Renesas Electronics Corporation. All rights reserved.

RoHS Compliance

Dialog Semiconductor’s suppliers certify that its products are in compliance with the requirements of Directive 2011/65/EU of the European Parliament on the restriction of the use of certain hazardous substances in electrical and electronic equipment. RoHS certificates from our suppliers are available on request.

(Rev.1.0 Mar 2020)

Corporate Headquarters

TOYOSU FORESIA, 3-2-24 Toyosu
Koto-ku, Tokyo 135-0061, Japan
www.renesas.com

Contact Information

For further information on a product, technology, the most up-to-date version of a document, or your nearest sales office, please visit:
www.renesas.com/contact/

Trademarks

Renesas and the Renesas logo are trademarks of Renesas Electronics Corporation. All trademarks and registered trademarks are the property of their respective owners.